

LG F2R3S08NSWB

LG AI DD F2R3S08NSWB 8kg Front Load Washing Machine User Manual

Model: F2R3S08NSWB

Brand: LG

1. INTRODUCTION

This manual provides essential information for the safe and efficient operation of your LG AI DD F2R3S08NSWB 8kg Front Load Washing Machine. Please read it thoroughly before using the appliance and keep it for future reference.

2. SAFETY INSTRUCTIONS

Always follow basic safety precautions to reduce the risk of fire, electric shock, or injury to persons when using this appliance.

- Read all instructions before use.
- Do not wash articles that have been previously cleaned in, washed in, soaked in, or spotted with gasoline, dry-cleaning solvents, or other flammable or explosive substances, as they emit vapors that could ignite or explode.
- Do not allow children to play on or in the appliance. Close supervision of children is necessary when the appliance is used near children.
- Do not reach into the appliance if the tub or agitator is moving.
- Do not install or store this appliance where it will be exposed to the weather or freezing temperatures.
- Do not tamper with controls.
- Do not repair or replace any part of the appliance or attempt any servicing unless specifically recommended in the user-maintenance instructions or in published user-repair instructions that you understand and have the skills to carry out.
- Always disconnect the appliance from the power supply before attempting any service.

3. SETUP AND INSTALLATION

Proper installation is crucial for optimal performance and safety. Refer to the following guidelines for setting up your washing machine.

3.1 Unpacking

Carefully remove all packaging materials. Ensure no components are left inside the drum. Keep packaging materials out of reach of children.

3.2 Location Requirements

Install the washing machine on a firm, level surface. Avoid direct sunlight or extreme temperatures. Ensure adequate space around the machine for ventilation and maintenance.

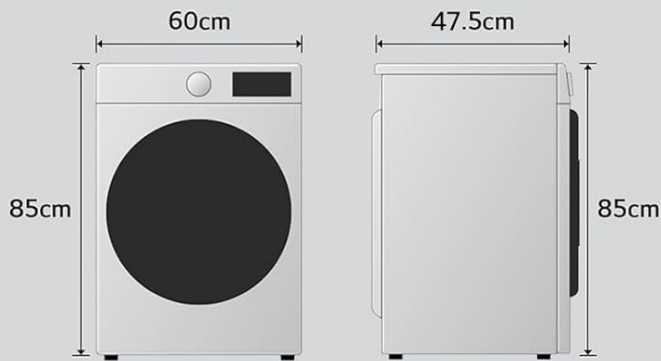


Image: The LG washing machine integrated into a home laundry space, demonstrating its compact design and suitable placement.

3.3 Dimensions and Clearance

The washing machine has dimensions of 47.5 cm (depth) x 60 cm (width) x 85 cm (height). Ensure sufficient clearance for the door to open fully and for connections.

Dimensioni



Installazione

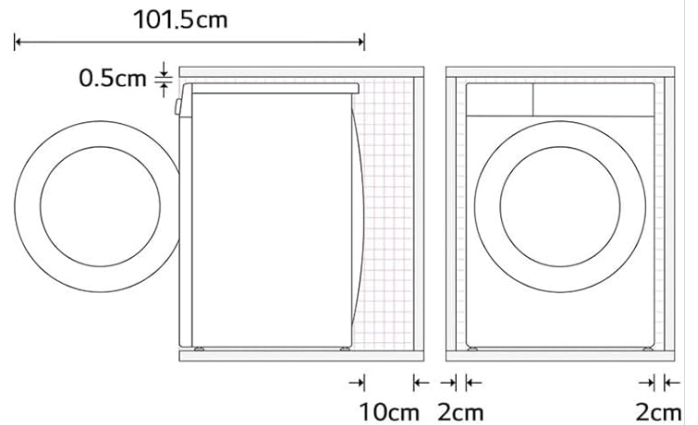


Image: A technical diagram illustrating the precise dimensions of the washing machine and recommended installation clearances for proper operation and access.

3.4 Water Supply and Drainage

Connect the water inlet hoses to the hot and cold water taps. Ensure connections are tight to prevent leaks. Position the drain hose securely into a standpipe or laundry tub.

3.5 Power Connection

Plug the power cord into a grounded electrical outlet. Do not use extension cords.

4. OPERATING INSTRUCTIONS

This section guides you through the daily operation of your LG washing machine.

4.1 Control Panel Overview



8kg

CICLO VAPORE

AI Wash

Cotone

Eco 40-60

Misti

Sintetici

Allergy Care

Delicati

Cotone Turbo

Speciale Sport

Rapido 14

Piumini

Risc. + Centrifuga



LA LAVATRICE INTELLIGENTE

A **AI DD™** -10%*

*10% più efficiente rispetto allo standard minimo associato alla classe energetica A

Image: The main control panel of the LG washing machine, featuring the program selection dial, digital display, and various function buttons.



Image: A detailed view of the washing machine's control panel, highlighting the program selector knob and the digital timer/status display.

Key Controls:

- **Program Dial:** Selects the desired wash cycle.
- **Digital Display:** Shows remaining time, error codes, and selected options.
- **Start/Pause Button:** Initiates or pauses a wash cycle.
- **Option Buttons:** Modify wash settings (e.g., temperature, spin speed, pre-wash).

4.2 Loading Laundry

Open the door and load items loosely into the drum. Do not overload the machine. The capacity is 8 kg.



Image: The washing machine door is open, showing the interior stainless steel drum with its textured surface designed for gentle yet effective washing.

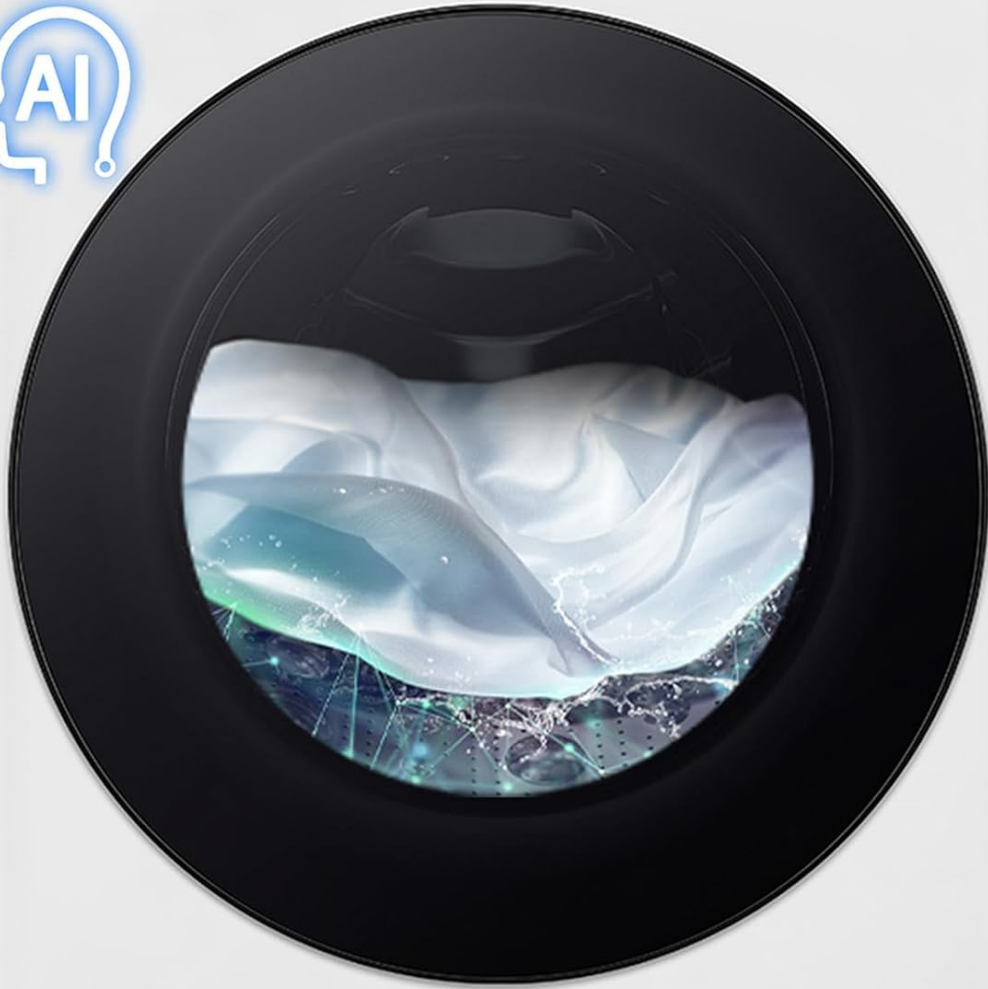
4.3 Adding Detergent and Additives

Add appropriate amounts of detergent and fabric softener to the dispenser drawers. Refer to detergent packaging for recommended quantities.

4.4 Selecting a Wash Cycle

Turn the program dial to select one of the 12 available wash programs. The machine features:

- **AI DD Technology:** Automatically detects fabric type and weight to optimize wash movements for better fabric care.
- **Steam Wash:** Utilizes steam to sanitize clothes, removing germs, bacteria, and allergens. It also helps to relax fabric fibers for improved washing efficiency.
- **Allergy Care Program:** Approved by the BAF (British Allergy Foundation), this program uses high temperatures to reduce 99.9% of dust mites responsible for allergies.
- Other programs include Delicates, Cotton Turbo, Special Sport, Rapid 14, Duvets, Mixed, Synthetics, and more.



Tecnologia AI DD™

Riconosce i tessuti e li lava con cura

Image: A close-up view of laundry inside the drum, demonstrating the AI DD technology at work, which intelligently adapts wash motions for optimal fabric care.



Lavaggio a vapore Steam™

Igienizza i capi e distende le fibre

Image: Steam filling the washing machine drum during a Steam Wash cycle, highlighting its sanitizing and fabric-relaxing benefits.

4.5 Starting a Wash Cycle

Press the Start/Pause button to begin the selected cycle. The machine will automatically proceed through the wash, rinse, and spin phases.

4.6 End of Cycle

Once the cycle is complete, an audible signal will sound, and the display will indicate "End". Open the door and remove your laundry promptly.

5. MAINTENANCE AND CLEANING

Regular maintenance ensures the longevity and efficiency of your washing machine.

5.1 Cleaning the Exterior

Wipe the exterior with a soft, damp cloth. Do not use abrasive cleaners or solvents.

5.2 Cleaning the Detergent Dispenser

Periodically remove and clean the detergent dispenser drawer to prevent residue buildup.

5.3 Cleaning the Drum

The machine features stainless steel agitators, which help maintain hygiene. Run a "Tub Clean" cycle regularly to prevent odors and residue buildup. The drum's unique "bubble" shape also protects fabrics by minimizing excessive friction during washing and spinning.



Image: A detailed view of the washing machine's stainless steel drum interior, showcasing its design for durability and hygiene.

5.4 Cleaning the Drain Filter

Locate and clean the drain filter regularly to remove lint and foreign objects. Refer to the diagram for its location (usually at the bottom front).



Image: The front of the LG washing machine, indicating the location of the drain filter access panel at the lower right corner.

6. TROUBLESHOOTING

This section provides solutions to common issues you might encounter. For more complex problems, contact customer support.

- **Machine does not start:** Ensure the power cord is plugged in, the door is closed securely, and the Start/Pause button has been pressed. Check for power outages.
- **No water filling:** Check if water taps are fully open and water supply hoses are not kinked. Ensure water pressure is adequate.
- **Excessive vibration/noise:** Ensure the machine is level and all transit bolts have been removed during installation. Distribute laundry evenly in the drum.
- **Water leaking:** Check hose connections for tightness. Inspect drain filter for blockages.
- **Error Codes:** The digital display may show error codes. Refer to the LG Smart Diagnosis feature for assistance.

6.1 Smart Diagnosis

Your LG washing machine is equipped with Smart Diagnosis. This feature allows you to troubleshoot problems quickly and efficiently. If you experience a problem, you can use the Smart Diagnosis function via the LG ThinQ app or by following instructions in the full manual to transmit diagnostic data to LG customer service.

The Inverter Direct Drive motor, directly connected to the drum, ensures high washing performance with precise motion control, reducing noise and vibrations, which contributes to fewer operational issues.

7. SPECIFICATIONS

Feature	Specification
Model Number	F2R3S08NSWB
Brand	LG
Capacity	8 Kilograms
Dimensions (L x W x H)	47.5 x 60 x 85 cm
Weight	60 Kilograms
Energy Efficiency Rating	A
Maximum Spin Speed	1200 RPM
Drum Material	Stainless Steel
Control Type	Digital and Physical
Voltage	220 Volts
Included Components	Power cable, Flexible drain hose

8. WARRANTY INFORMATION

LG provides a standard manufacturer's warranty for this appliance. Please refer to the warranty card included with your purchase or visit the official LG website for detailed terms and conditions. Keep your proof of purchase for warranty claims.

Note: Availability of spare parts information is not provided in the product details. For service and parts, please contact LG customer support.

9. CUSTOMER SUPPORT

For technical assistance, service requests, or general inquiries, please contact LG customer support.

- **Website:** Visit the official LG website for your region.
- **Phone:** Refer to the contact numbers provided in your product documentation.
- **Smart Diagnosis:** Utilize the Smart Diagnosis feature for quick troubleshooting.