



[Manuals.plus](#) /

› [Oakland Living](#) /

› Oakland Living Easy-Lift Full Murphy Wall Bed Instruction Manual

Oakland Living AZ-LILA-BED-FL-GY

Oakland Living Easy-Lift Full Murphy Wall Bed Instruction Manual

Brand: Oakland Living

1. INTRODUCTION

This manual provides essential information for the safe and efficient assembly, operation, and maintenance of your Oakland Living Easy-Lift Full Murphy Wall Bed. Please read all instructions carefully before beginning assembly or use.

The Oakland Living Easy-Lift Full Murphy Wall Bed is designed to provide a versatile sleeping solution, allowing you to maximize floor space in multi-functional rooms. When not in use, the bed folds compactly against the wall, transforming into a display shelf. It features a durable dual piston easy-lift system for smooth operation and includes a mattress secure strap to keep bedding in place.

2. SAFETY INFORMATION

Always prioritize safety during assembly and operation. Failure to follow these instructions can result in injury or damage to the product.

- Ensure all parts are present and undamaged before assembly.
- Assembly requires at least two adults.
- The bed must be securely mounted to a wall stud for maximum stability and durability. Do not rely solely on drywall anchors.
- Keep hands and fingers clear of moving parts during operation.
- Do not allow children to operate the bed mechanism unsupervised. Safety pins are included to secure the bed in the upright position.
- Do not use a box spring with this bed.

- Ensure adequate clearance (30 to 36 inches) around the open bed for safe entry and exit.

3. SETUP AND ASSEMBLY

Detailed assembly instructions are provided in the included PDF manual. It is highly recommended to refer to this document for step-by-step guidance.

Download Installation Manual: [Oakland Living Murphy Wall Bed Installation Manual \(PDF\)](#)

3.1. Unpacking and Parts Identification

Carefully unpack all components and lay them out. Identify each part using the provided hardware list and diagrams in the installation manual.

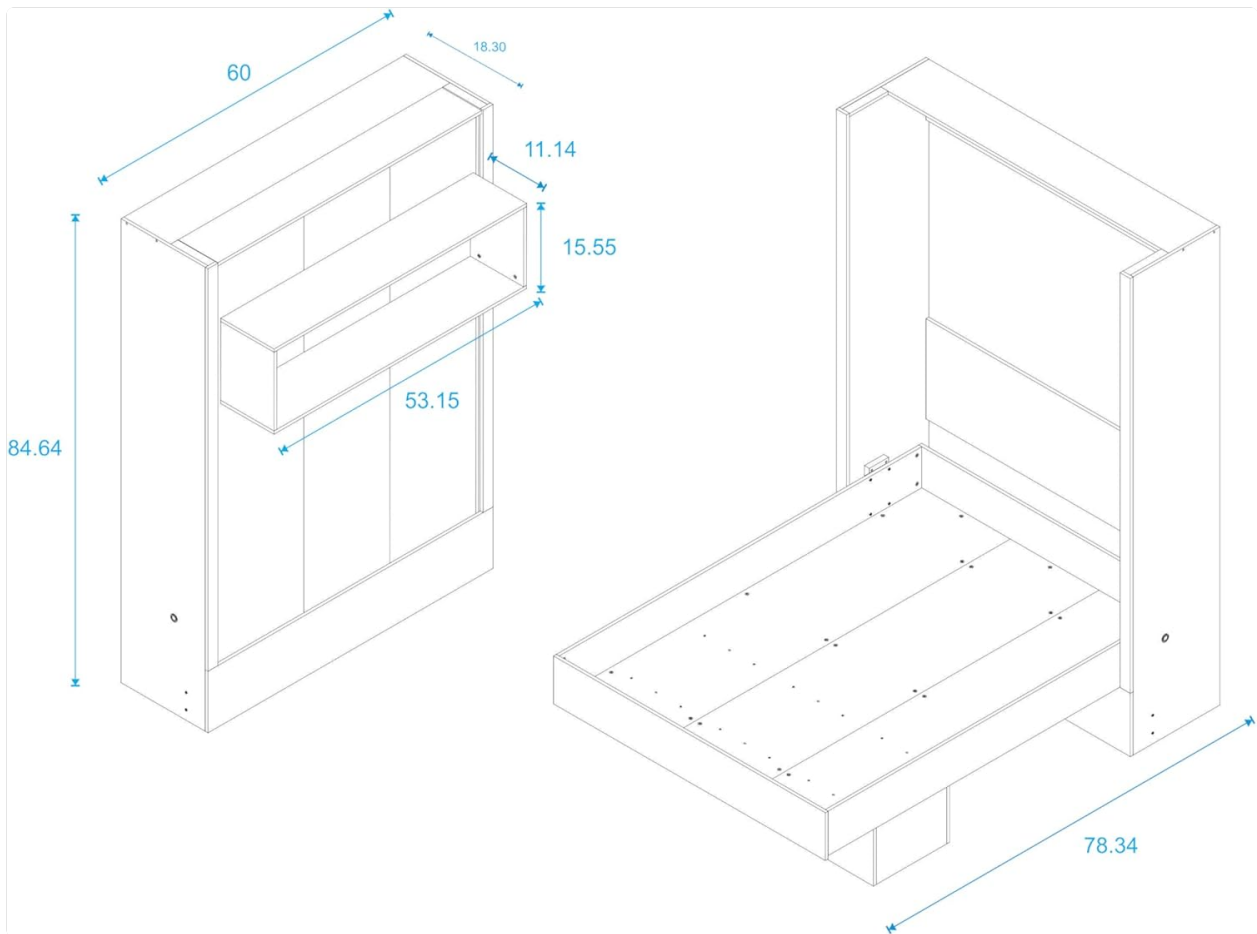


Figure 3.1: Product dimensions and structural overview.



Figure 3.2: Key components and attachment points.

3.2. Wall Mounting

The Murphy bed requires secure wall mounting. Locate wall studs using a stud finder. The included mounting hardware is designed for stability. Ensure the bed is level and firmly attached to the wall to prevent tipping or collapse.



Figure 3.3: Mounting hardware for wall attachment.

3.3. Mattress Installation

Once the frame is assembled and securely mounted, place your full-size mattress (6-14 inches thick, 54 x 75 inches) onto the wooden mattress support. Use the provided mattress secure strap to hold the mattress and bedding in place when the bed is stored in the upright position.



Figure 3.4: Mattress securing strap.

4. OPERATING INSTRUCTIONS

4.1. Folding the Bed Down (Deployment)

1. Ensure the area around the bed is clear of obstructions.
2. Locate and unlock the steel locking pins that secure the bed in the upright position.
3. Gently pull the display case (the front panel of the bed) downwards towards the floor. The dual piston easy-lift system will assist in a smooth and controlled descent.
4. Continue lowering until the bed frame is fully extended and rests securely on the floor.



Figure 4.1: Murphy bed in deployed position.

4.2. Folding the Bed Up (Storage)

1. Ensure the mattress secure strap is fastened to hold bedding in place.
2. Lift the bed frame upwards from the foot end. The dual piston easy-lift system will assist in raising the bed.
3. Continue lifting until the bed is fully upright and flush with the wall.
4. Engage the steel locking pins to secure the bed in the upright position.



Figure 4.2: Murphy bed in closed position.

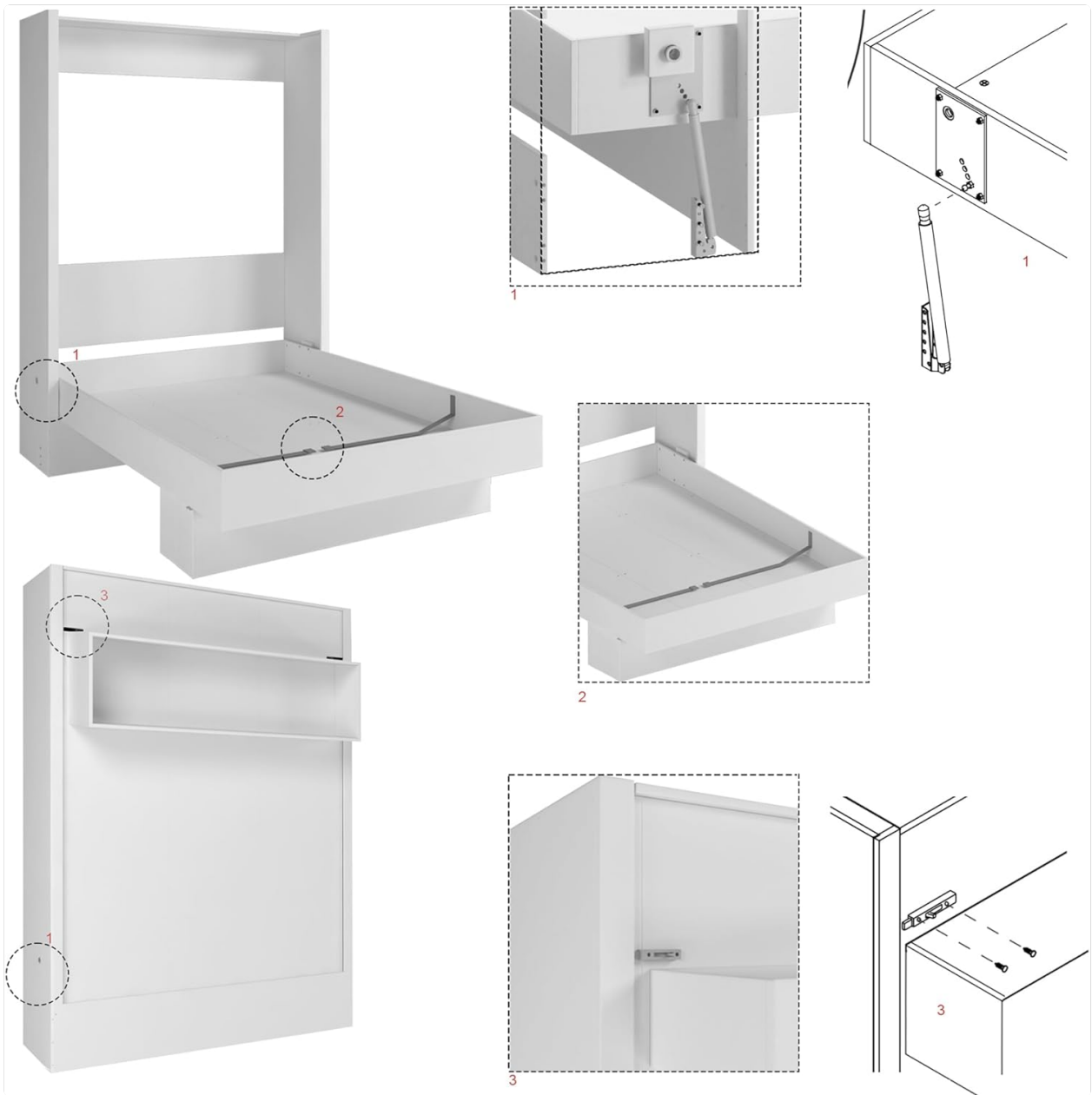


Figure 4.3: Murphy bed closed, showcasing the display shelf.



Figure 4.4: Safety pins for securing the bed in the upright position.

5. MAINTENANCE

Proper maintenance ensures the longevity and safe operation of your Murphy wall bed.

- **Cleaning:** Wipe surfaces with a soft, damp cloth. Avoid harsh chemicals or abrasive cleaners that could damage the laminated finish.
- **Hardware Check:** Periodically inspect all screws, bolts, and mounting hardware to ensure they are tight. Re-tighten as necessary.
- **Piston System:** The dual piston system is designed for durability. If you notice any unusual resistance or noise during operation, contact customer support. Do not attempt to lubricate or disassemble the pistons yourself.
- **Structural Integrity:** Regularly check the particleboard and MDF panels for any signs of damage, such as cracks or bowing. Address any issues promptly.

6. TROUBLESHOOTING

This section addresses common issues you might encounter. For problems not listed here, please contact customer support.

Problem	Possible Cause	Solution
Bed is difficult to open or close.	Misalignment; piston issue; obstructions.	Ensure the bed frame is properly aligned. Check for any objects obstructing the mechanism. If the piston system feels faulty, contact support.
Bed does not stay securely in the upright position.	Locking pins not engaged; damaged pins.	Ensure the steel locking pins are fully engaged. Inspect pins for damage and replace if necessary.
Bed feels unstable or wobbly when deployed.	Improper wall mounting; loose hardware.	Verify that the bed is securely mounted to wall studs. Tighten all assembly hardware. Consider professional installation if unsure about wall mounting.
Components appear chipped or misaligned during assembly.	Manufacturing defect; shipping damage.	Do not force parts. Contact customer support immediately for replacement parts.

7. SPECIFICATIONS

Feature	Detail
Model Number	AZ-LILA-BED-FL-GY

Feature	Detail
Product Dimensions (Deployed)	78.4" L x 60" W x 84.7" H
Product Dimensions (Closed)	30.44" L x 60" W x 84.7" H
Assembled Weight	225 lbs
Color	Grey
Material	Industrial Grade Laminated MDF and Particleboard
Mattress Compatibility	Full size (6-14 inches thick, 54 x 75 inches). No box spring. Mattress not included.
Special Features	Foldable, Dual Piston Easy-Lift System, Integrated Display Shelf, Mattress Secure Strap, Locking Pins
Assembly Required	Yes

8. WARRANTY INFORMATION

For detailed warranty information regarding your Oakland Living Easy-Lift Full Murphy Wall Bed, please refer to the documentation included with your purchase or contact Oakland Living directly. Warranty terms typically cover manufacturing defects and material flaws under normal use.

9. CUSTOMER SUPPORT

If you have any questions, require assistance with assembly, or need to report damaged or missing parts, please contact Oakland Living customer support.

For more information about Oakland Living products, you may visit their brand page on Amazon: [Oakland Living Brand Page](#)