

[Manuals.plus](#) /

› [Sweetcrispy](#) /

› Sweetcrispy Twin Bed Frame Instruction Manual

## Sweetcrispy 503-TWIN

# Sweetcrispy Twin Bed Frame Instruction Manual

Model: 503-TWIN

## 1. PRODUCT OVERVIEW

---

The Sweetcrispy Twin Bed Frame is a 14-inch high metal platform bed designed for durability and convenience. It features sturdy steel slat support, eliminating the need for a box spring, and provides ample storage space underneath. Its simple, modern design complements various bedroom decors.



Image: Key features of the Sweetcrispy Twin Bed Frame, including no squeaking, no box spring requirement, easy assembly, and tool-free setup.

## Key Features:

- **Sturdy and Durable Construction:** Made with upgraded metal poles and legs for enhanced stability and weight bearing.
- **Fashionable Design:** Simple wrought iron frame design suitable for various decors.
- **Extra Storage Space:** 14 inches of clearance underneath for convenient storage.
- **Easy Assembly:** Designed for quick and straightforward assembly.
- **No Box Spring Needed:** Features a metal bed slat system for direct mattress support.

## 2. COMPONENTS LIST

Before assembly, ensure all parts are present and undamaged. If any parts are missing or damaged, please contact customer support.

Part No.	Description	Quantity
1 & 2	Frame	2 each

Part No.	Description	Quantity
3	Side Frame	2
4	Middle Frame	1
5 & 6	Center Slat	1 each
7	Slats	24

### Hardware:

- **Screws (A):** x4
- **Screws (B):** x8
- **Screws (C):** x2
- **Screw (D):** x1
- **Nut (E):** x2
- **Wrench:** x1

## 3. ASSEMBLY INSTRUCTIONS

---

Follow these steps carefully for proper assembly. It is recommended to assemble the bed frame with two people.

### Assembly Video Guide:

Your browser does not support the video tag.

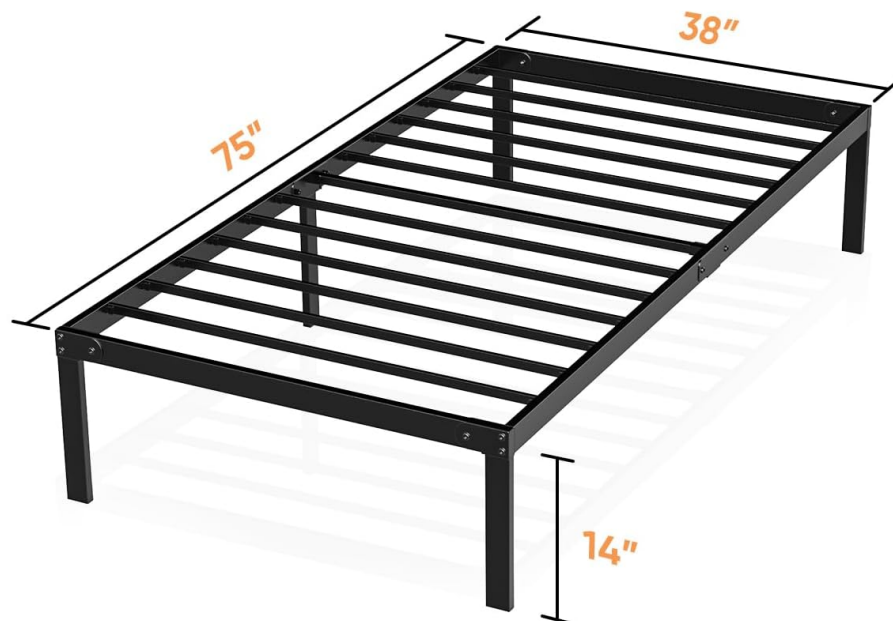
Video: Detailed assembly instructions for the Sweetcrispy metal bed frame.

### Step-by-Step Guide:

#### 1. Step 1: Attach Side Frames

Attach Side Frame (3) to the side of Frames (1 & 2) using Screws (B)\*4. Ensure the groove of the Side Frame (3) faces inward. Repeat this step to install both frames.

**TWIN**



**No box  
spring needed**



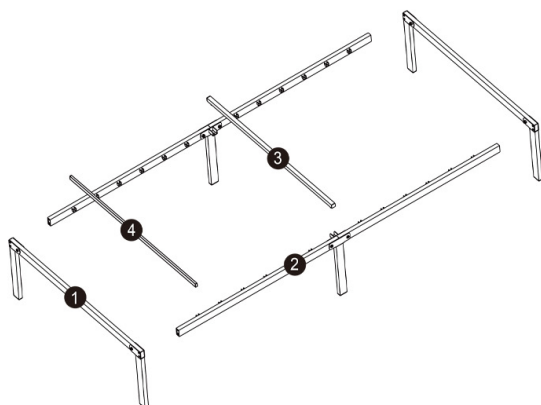
**Load-bearing  
capacity**



Image: Illustration of attaching the side frames to the main bed frame components.

## 2. Step 2: Secure Middle Frame

Align the head and tail of the Middle Frame (4) with the two installed Frames, and secure them completely with Screws (A)\*4.



## Easy Assembly

The product can be assembled quickly and easily without additional tools and according to instructions.

Image: Visual guide for connecting the middle frame to the assembled side sections.

## 3. Step 3: Secure Legs

Align the screw holes on the legs of the two Frames, and secure them completely with Screws (C)\*2 and Nut (E)\*2.

## 4. Step 4: Insert Center Slats

Insert Center Slat (6) into Center Slat (5). After fixing both, insert them onto the groove in the middle

of the Side Frame (3)\*2, and fix the Center Slats (5 & 6) to the Middle Frame (4) with Screw (D)\*1.

#### 5. Step 5: Insert Remaining Slats

Insert Slats (7)\*24 evenly onto each groove of the Frames (3 & 4). Ensure all slats are securely in place.

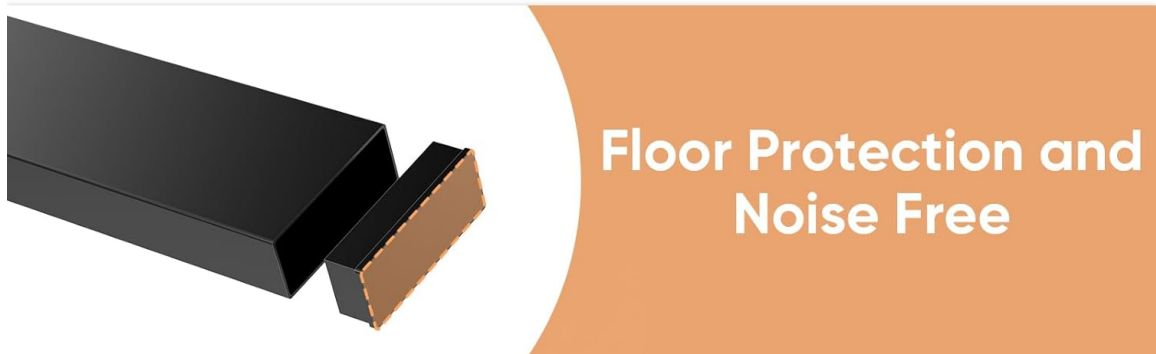


Image: Details of the bed frame's reinforced structure and floor protection.

## 4. USAGE AND OPERATION

---

Once assembled, the Sweetcrispy Twin Bed Frame is ready for use. Place your twin-sized mattress directly onto the steel slats. No box spring is required.

### Storage Space:

The 14-inch clearance beneath the frame provides significant space for storing items such as boxes, luggage, or seasonal clothing. This helps in keeping your room organized and clutter-free.

# LARGE STORAGE SPACE



Image: The bed frame demonstrating its large under-bed storage capacity.

## Headboard/Footboard Attachment:

The frame is designed to allow for easy attachment of a headboard and footboard (not included). Ensure any attached headboard/footboard is compatible with a standard twin bed frame.



Image: Examples of how different headboards and footboards can be attached to the bed frame.

## Product Feature Highlight:

Your browser does not support the video tag.

Video: A short demonstration highlighting the heavy-duty metal platform bed frame's features, including stability and under-bed storage.

## 5. MAINTENANCE

---

- **Cleaning:** Wipe the metal frame with a damp cloth and mild detergent. Avoid abrasive cleaners that may damage the finish.
- **Regular Checks:** Periodically check all screws and connections to ensure they remain tight. Tighten any loose fasteners to maintain stability and prevent squeaking.
- **Weight Distribution:** Ensure weight is evenly distributed across the bed frame to prevent stress on individual slats or frame components.

## 6. TROUBLESHOOTING

---

- **Squeaking Noises:** If the bed frame squeaks, check all bolts and screws and tighten them. Ensure the mattress is properly seated on the slats.
- **Slats Dislodging:** If slats frequently fall out, ensure they are correctly inserted into their grooves and that the frame is fully assembled and tightened. Uneven weight distribution or excessive movement can sometimes dislodge slats.
- **Instability:** If the frame feels unstable, re-check all connections and ensure all parts are correctly aligned and tightened according to the assembly instructions.

## 7. SPECIFICATIONS

---

Attribute	Detail
Model Number	503-TWIN
Size	Twin
Product Dimensions	75"L x 38"W x 14"H
Material	Metal (Alloy Steel)
Color	Black
Special Feature	No Box Spring Needed
Assembly Required	Yes
Ground to Item Distance	14 Inches
Item Weight	23 pounds

## 8. WARRANTY AND SUPPORT

---

For warranty information, missing parts, or further assistance, please refer to the contact details provided

with your purchase or visit the official Sweetcrispy website. Keep your purchase receipt for warranty claims.