

[Manuals.plus](#) /

› [Branch](#) /

› Branch Ergonomic Chair - Instruction Manual

## Branch 11-01-00-50

# Branch Ergonomic Chair

Model: 11-01-00-50

## PRODUCT OVERVIEW



The Branch Ergonomic Chair, in an all-black finish, is designed to provide optimal comfort and support for extended periods. It features a breathable mesh backrest, a contoured cushioned seat, and a sturdy five-star base with smooth-rolling wheels for easy mobility. This chair is engineered for ergonomic adjustability to suit various body types and work preferences.

## ASSEMBLY INSTRUCTIONS

The Branch Ergonomic Chair is designed for straightforward assembly. Please follow these general steps:

1. **Unpack Components:** Carefully remove all parts from the packaging and verify against the included parts list.
2. **Attach Wheels to Base:** Insert the five smooth-rolling wheels into the openings at the end of each leg of the five-star base until they click securely into place.
3. **Insert Gas Lift:** Place the gas lift cylinder into the central hole of the five-star base.
4. **Assemble Seat Mechanism:** Secure the seat mechanism to the underside of the seat cushion using the provided screws. Ensure proper alignment.
5. **Attach Backrest:** Connect the backrest to the seat mechanism. This step may require careful alignment and securing with screws. For optimal results, it is recommended to perform this step with the seat upside down, resting on a stable surface, to properly align the seatback.
6. **Install Armrests:** Attach the armrests to the designated points on the seat mechanism. Ensure they are securely fastened.
7. **Connect Seat to Gas Lift:** Carefully place the assembled seat and backrest onto the gas lift cylinder, ensuring it is firmly seated.
8. **Final Checks:** Test all adjustment functions and ensure all connections are secure before use.

## ADJUSTING YOUR CHAIR

The Branch Ergonomic Chair offers multiple adjustment points to customize your seating experience for optimal ergonomic support. Refer to the diagram below for key adjustment locations:



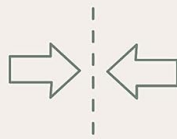
### Seat Firmness

Our contoured (40 ILD) foam cushion evenly distributes up to 275 lbs for a good day's sit.



### Lumbar Support

Adjust the lumbar support for optimal placement along the natural curve of your spine.



### Upper Back Support

Our chair features a firm lumbar rest to adjust the lower back & a contoured upper backrest for an active posture.



### Points of adjustment

8 points of adjustment for a complete fit: 3D armrests, height, tilt and tilt tension, seat depth and removable lumbar rest.

This diagram illustrates the various adjustment points on the chair, enabling users to fine-tune their posture and comfort. Each numbered point corresponds to a specific adjustment function.

- **Seat Height (1):** Adjust the seat height to ensure your feet are flat on the floor and your knees are at a 90-degree angle.
- **Armrest Height (2):** Raise or lower the armrests so your arms rest comfortably, supporting your shoulders without shrugging.
- **Armrest Depth + Width (3):** Adjust the armrest pads forward/backward and inward/outward to find the ideal position for your forearms.
- **Lumbar Adjustment (4):** Position the lumbar support to fit the natural curve of your lower back, providing firm and active support. Note: Some users may find the lumbar support to be too prominent or hard, potentially causing discomfort if not properly aligned with their back's curvature.
- **Seat Depth (5):** Slide the seat forward or backward to ensure a comfortable distance between the edge of the seat and the back of your knees (approximately 2-3 fingers).
- **Tilt & Tilt Lock (6):** Recline the backrest to your desired angle and lock it in place. The chair offers multiple reclining positions.
- **360° Swivel (7):** The chair features a full 360-degree swivel for easy movement and access to your workspace.
- **Tilt Tension (8):** Adjust the resistance of the chair's recline function. Turn the knob to increase or decrease tension. Note: The tension adjustment knob is located at the bottom of the chair, which may require moving the chair or kneeling to access.

## CARE AND MAINTENANCE

Proper care and maintenance will extend the life and appearance of your Branch Ergonomic Chair.

- **Fabric Cleaning:** For the double-woven nylon mesh and cushioned seat, use an upholstery cleaning product specifically designed for nylon fabrics. Follow the product's instructions carefully.
- **Frame Cleaning:** Wipe down the powder-coated frame and metal components with a soft, damp cloth. Avoid abrasive cleaners.
- **Wheel Maintenance:** Periodically check the smooth wheels for any debris (hair, dust) and clean them to ensure continued smooth mobility.
- **General Care:** Avoid exposing the chair to direct sunlight for prolonged periods to prevent fading. Do not use harsh chemicals or solvents on any part of the chair.

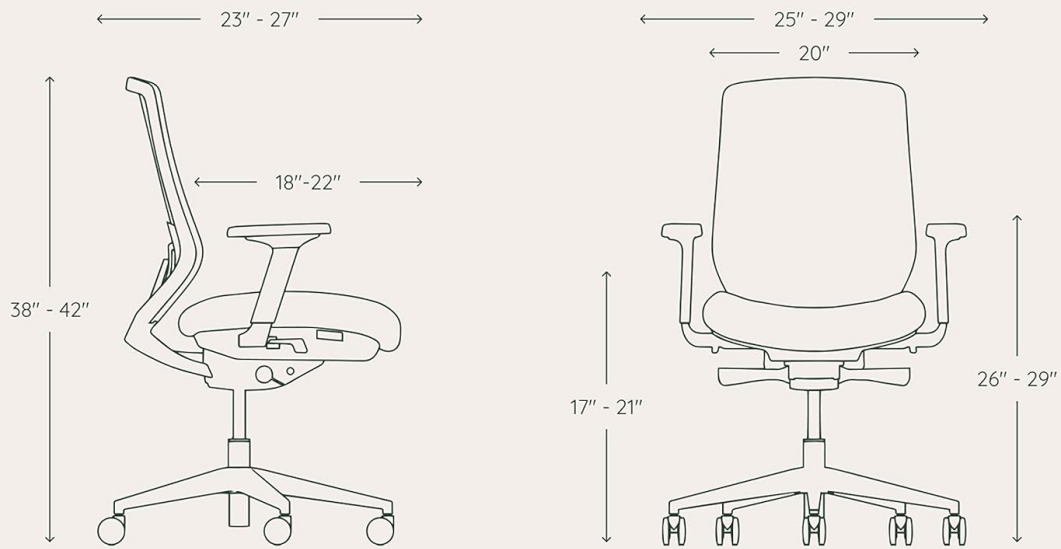
## TROUBLESHOOTING COMMON ISSUES

If you encounter any issues with your Branch Ergonomic Chair, consider the following:

- **Squeaking Noises:** Check all bolted connections and tighten them if loose. A small amount of silicone spray on moving metal parts may help.
- **Seat Fabric Noise:** Some users have reported a 'tape-like' sound when standing up after prolonged sitting, suggesting the fabric may not be fully adhered to the foam. This is a design characteristic and typically does not affect functionality.
- **Armrest Movement:** If armrests slide too easily, ensure all securing screws are tightened. The armrests are designed for forward/backward movement, but excessive looseness may indicate a need for adjustment.
- **Lumbar Support Discomfort:** The lumbar support is designed to be firm and may feel too forward for some users. Experiment with seat depth adjustments to find a comfortable position. If discomfort persists, consider adding a thin cushion to the backrest.
- **Backrest Plastic Contact:** Taller individuals may experience their shoulder blades contacting the hard plastic frame of the backrest. Adjusting seat depth and recline can help, but this may be a limitation for very tall users.

## PRODUCT SPECIFICATIONS

# Product Specifications



## Adjustments

- 4" seat height range: 17-21"
- 3" seat depth range: 18-21"
- 21° seat tilt range: 4 lockable position
- 4" armrest width range: 25-29"

## Loads

- Max Capacity: 275 lbs
- Assembled weight: 35 lbs

This diagram provides a comprehensive overview of the chair's dimensions and key adjustment ranges, assisting users in understanding its physical characteristics and customizable features.

Feature	Detail
Brand	Branch
Model Number	11-01-00-50
UPC	810061411505
Color	All Black
Product Dimensions	27"D x 29"W x 42"H
Seat Height Range	17" - 21"
Seat Depth Range	18" - 21"
Backrest Width	20 Inches
Fill Material	Double woven nylon mesh
Maximum Weight Recommendation	275 Pounds
Item Weight	30 pounds

## **WARRANTY AND CUSTOMER SUPPORT**

Branch products are built to last and are designed to keep you comfortable and productive. The Branch Ergonomic Chair comes with a manufacturer's warranty, ensuring quality and durability.

For specific warranty details, claims, or any customer support inquiries, please visit the official Branch website or contact their customer service directly. Information regarding product support and warranties is typically available on the manufacturer's product page or within the original packaging.

Branch is committed to providing real warranties backed by real people, ensuring your satisfaction with their products.