



[Manuals.plus](#) /

> [Kisnt](#) /

> Kisnt Mechanical Number Pad User Manual

## Kisnt KN34-B-Red

# Kisnt Mechanical Number Pad User Manual

Model: KN34-B-Red

Brand: Kisnt

## INTRODUCTION

The Kisnt Mechanical Number Pad (Model KN34-B-Red) is a high-performance, wired numeric keypad designed to enhance efficiency for data entry and calculations. Featuring 34 keys, hot-swappable Gateron Red Switches, and durable PBT keycaps, this keypad offers a comfortable and responsive typing experience. It is compatible with both Windows and Mac operating systems, making it a versatile addition to various computing setups.



Image: The Kisnt Mechanical Number Pad, showcasing its compact design, key layout, included Gateron Red Switch, and USB-C to USB-A cable.

## WHAT'S IN THE BOX

- 1 x Mechanical number pad
- 1 x USB-C to USB-A Cable
- User Manual

## SETUP

To set up your Kisnt Mechanical Number Pad, follow these steps:

1. **Connect the Cable:** Insert the USB-C end of the provided cable into the port on the back of the number pad.
2. **Connect to Computer:** Plug the USB-A end of the cable into an available USB port on your computer (laptop or PC).
3. **System Recognition:** The number pad is plug-and-play. Your operating system (Windows or Mac OS) will

automatically detect and install the necessary drivers. No additional software installation is required.

# Stable Wired Connection Widely Compatible



Mac OS



Windows



Image: The Kisnt Mechanical Number Pad shown connected via its USB cable to a laptop, with a desktop monitor in the background, illustrating its wide compatibility.

## OPERATING INSTRUCTIONS

### Key Layout and Functions

The KN34 number pad features a 34-key layout, extending beyond a standard 17-key numeric keypad to include essential function keys for enhanced productivity.

- **Numeric Keys:** Standard 0-9, +, -, \*, /, and Enter for calculations.
- **Extended Function Keys:** Includes Esc, Tab, Back Space, Delete, Home, Page Up, Page Down, and four arrow keys (Up, Down, Left, Right).
- **Num Lock:** Toggles the numeric keypad function. An indicator light will show its status.
- **FN Key:** Used in combination with other keys to control backlight settings.

# Combination of Numerical and Function Keys



Esc



=



Back Space



Four Arrow Keys



Calculator



Tab



Delete



Image: A detailed view of the Kisnt Mechanical Number Pad highlighting the combination of numerical and function keys such as Esc, Tab, Back Space, Delete, and arrow keys.

## Backlight Settings

The keypad features white LED backlighting. Use the FN key in combination with other keys to adjust the lighting:

- **FN + PgDn:** Cycle through backlight preset modes.
- **FN + Up/Down Arrow:** Adjust backlight brightness.
- **FN + Left/Right Arrow:** Adjust backlight effect speed.

# White LED Lighting Options



Backlight  
preset mode



Backlight brightness  
adjustment



Backlight  
effect speed up/speed down



Image: A visual guide demonstrating how to control the white LED backlight settings using the FN key combined with PgDn, arrow keys for brightness, and arrow keys for speed.

## FEATURES AND DESIGN

- **Hot-Swappable Switches:** The KN34 supports hot-swapping of almost all 3-pin and 5-pin MX style mechanical switches without soldering, allowing for personalization of your typing experience. The keypad comes pre-installed with Gateron Red Switches.

# Hot-swappable version

Personalize your typing experience



Image: The Kisnt Mechanical Number Pad with several keycaps and switches removed, demonstrating its hot-swappable capability and support for 3-pin and 5-pin switches.

- **Gateron Red Switches:** These linear switches provide a quiet and smooth typing experience with an operating force of 45g, 4.0mm max actuation travel, and a lifespan of 100 million clicks.



pre-lubed



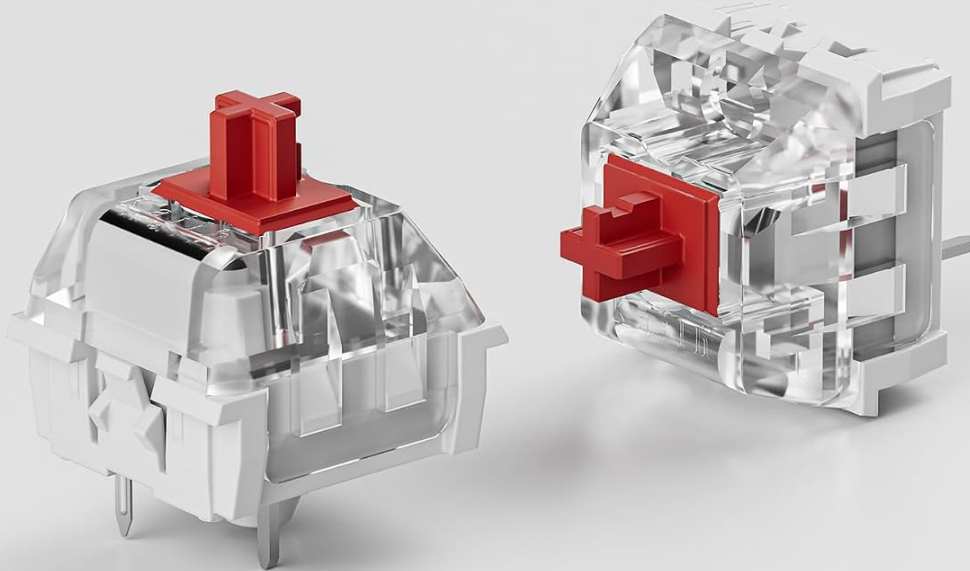
smooth



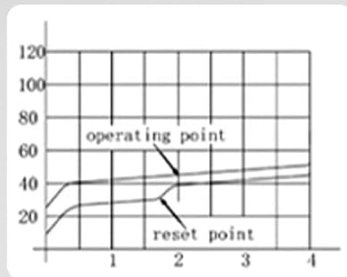
ultra quiet



quick response



## Gateron red linear switches



45g

Operation Force

4.0mm Max

Actuation Travel

100 million

Click Lifespan

Image: A magnified view of Gateron Red linear switches, detailing their characteristics such as operating force, actuation travel, and click lifespan.

- **PBT Dye-Sub Keycaps:** The keypad features PBT dye-sublimation keycaps, known for their enhanced texture, durability, and resistance to shine over time.
- **Multi-layer Silencing Structure:** Designed for comfort and acoustics, the keypad incorporates a Poron bottom layer, sandwich foam, and IXPE switch pad to ensure consistent keystrokes and a pleasant sound profile.

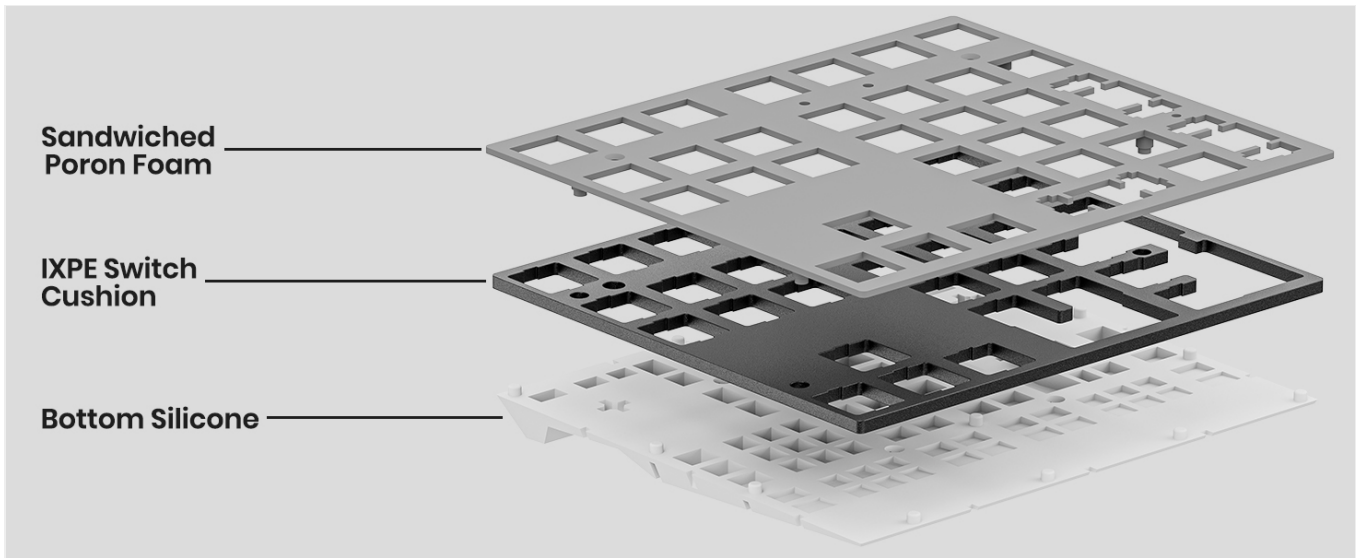


Image: An exploded diagram illustrating the internal components of the keypad, including the PBT keycaps, upper cover, mechanical switch, locating plate, sandwiched Poron foam, IXPE switch cushion, PCB, switch sockets, bottom silicone, and bottom case, all contributing to noise reduction.

- **Adjustable Tilt Legs:** The keypad includes two-stage adjustable tilt legs on the underside, allowing users to customize the typing angle for ergonomic comfort.



Image: A side profile view of the keypad demonstrating the two available angles provided by the adjustable tilt legs.

- **Detachable Type-C USB Cable:** The keypad uses a detachable USB-C to USB-A cable for convenient connection and portability.



Image: A close-up view of the back of the keypad, showing the USB-C port and the detachable cable connected.

## SPECIFICATIONS

Feature	Detail
Product Dimensions	5.87 x 5.28 x 1.54 inches
Item Weight	1.12 pounds

Manufacturer	Kisnt
Model Number	KN34-B-Red
Compatible Devices	Laptop, PC
Connectivity Technology	USB-C to USB-A (Wired)
Keyboard Description	Wired Mechanical Number Keypad
Number of Keys	34
Switch Type	Gateron Red (Hot-Swappable)
Keycap Material	PBT Dye-Sub
Backlighting	White LED (Single Color)

## Product Detaily Display



Image: A multi-panel display showing the dimensions of the keypad (5.87in x 5.28in x 1.54in) and various detailed views, including the top-

## TROUBLESHOOTING

---

- **Keypad Not Responding:**

- Ensure the USB cable is securely connected to both the keypad and the computer.
- Try plugging the keypad into a different USB port on your computer.
- Restart your computer.
- If using a USB hub, try connecting directly to the computer.

- **Num Lock Not Working / Syncing:**

- The Num Lock on the keypad should sync with your main keyboard's Num Lock. Press the Num Lock key on either device to toggle its state.
- If the light is on but keys don't function as numbers, ensure Num Lock is active.

- **Keys Duplicating Input (e.g., '/' key):**

- This can sometimes occur due to software conflicts or driver issues. Try unplugging and replugging the keypad.
- Ensure your operating system is up to date.
- If the issue persists, contact customer support for further assistance.

- **Backlight Not Functioning:**

- Ensure the keypad is properly connected and receiving power.
- Try adjusting the brightness using FN + Up Arrow.
- Cycle through backlight modes using FN + PgDn.

## MAINTENANCE

---

- **Cleaning:** Use a soft, dry cloth to wipe down the keypad. For deeper cleaning, you can use a can of compressed air to remove dust and debris from between the keycaps. Avoid using harsh chemicals or abrasive materials.
- **Keycap Removal:** If you need to clean under the keycaps or replace switches, use a keycap puller (not included) to gently remove the keycaps. For switch removal, use a switch puller.
- **Storage:** When not in use for extended periods, store the keypad in a clean, dry environment away from extreme temperatures and direct sunlight.

## WARRANTY AND SUPPORT

---

Kisnt offers a **2-year after-sales service** for this product. If you encounter any quality issues within this period, please contact Kisnt customer support for assistance. They are committed to providing a new replacement if necessary.

For support, you may contact Kisnt via email or visit their official website:

- **Email:** [kisnt\\_vip@163.com](mailto:kisnt_vip@163.com)
- **Official Website:** <http://www.kisnt.cn/>

