



[Manuals.plus](#) /

› [Feonase](#) /

› Feonase Twin Size Metal Bed Frame with Linen Upholstered Headboard - User Manual

Feonase LKJ102

Feonase Twin Size Metal Bed Frame with Linen Upholstered Headboard - User Manual

Model: LKJ102 | Brand: Feonase

INTRODUCTION

Thank you for choosing the Feonase Twin Size Metal Bed Frame. This manual provides essential information for safe assembly, operation, and maintenance of your new bed frame. Please read all instructions carefully before beginning assembly and retain this manual for future reference.

IMPORTANT SAFETY INFORMATION

- **Weight Capacity:** Do not exceed the maximum weight recommendation of 1000 pounds. Overloading may cause structural failure and injury.
- **Sharp Edges:** Exercise caution around sharp edges during assembly and use. Corner protectors are included to mitigate this risk.
- **Assembly:** Always follow the assembly instructions precisely. Improper assembly can lead to instability or collapse. Ensure all bolts and fasteners are securely tightened.
- **Children:** Keep children away from the assembly area. Small parts can be a choking hazard. Ensure wrap-in corner protectors are properly installed to protect children from accidental injury.
- **Placement:** Place the bed frame on a flat, level surface. Uneven surfaces can compromise stability.
- **Mattress:** This platform bed frame is designed for use without a box spring. An embedded design helps keep the mattress in place.

PACKAGE CONTENTS

Before assembly, verify that all components listed below are present and undamaged. If any parts are missing or damaged, please contact Feonase customer service.

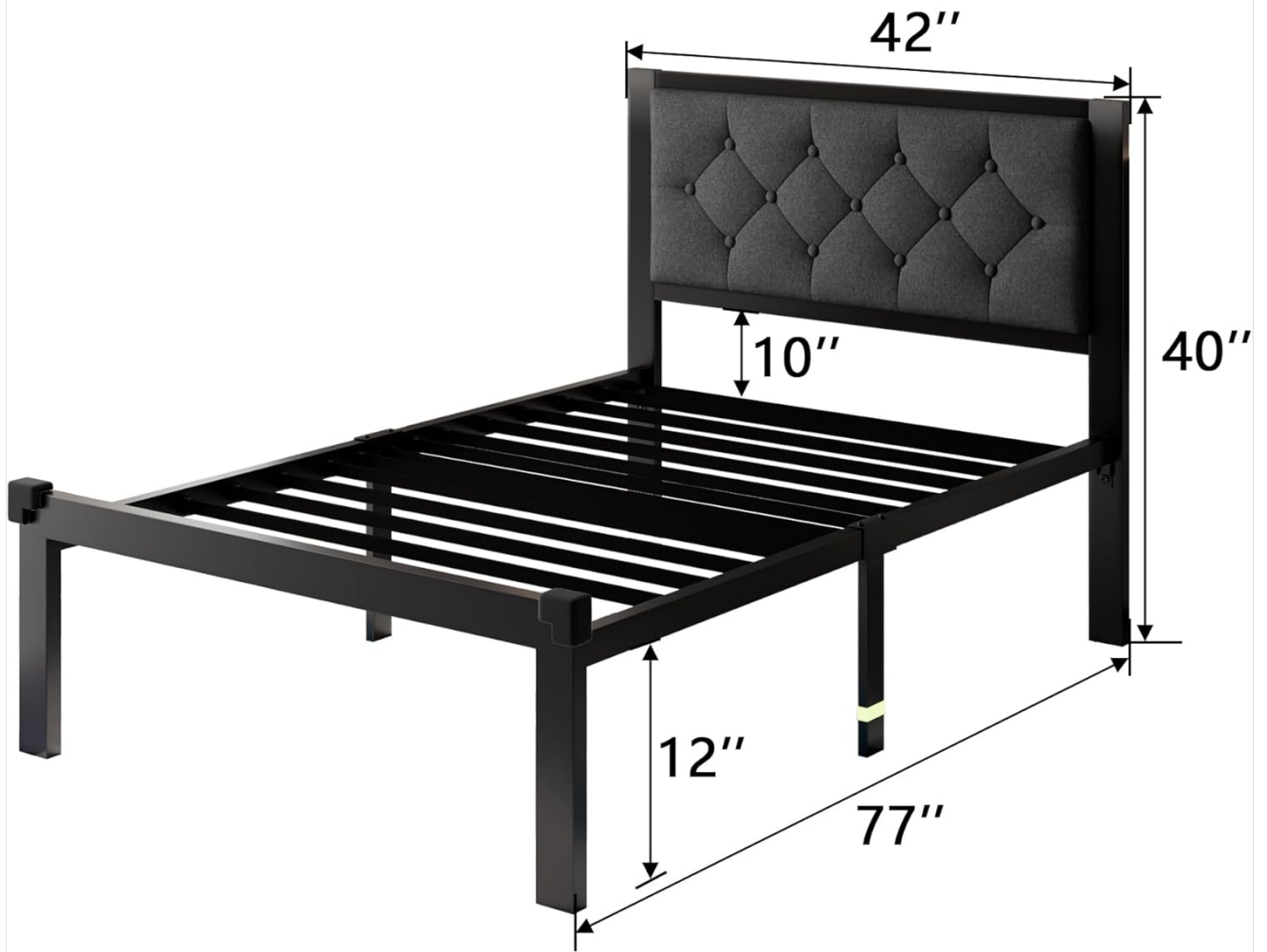
- Metal Bed Frame x 1
- Linen Upholstered Headboard x 1
- Heavy-Duty Slats x 12
- Installation Manual x 1
- Installation Tools & Accessories (Allen wrench, bolts, washers, etc.)

SETUP AND ASSEMBLY INSTRUCTIONS

Assembly is required for this bed frame. A detailed installation manual with step-by-step instructions is included in your package. Please follow the provided manual for the most accurate and safe assembly process.

1. **Unpack Components:** Carefully remove all parts from the packaging and lay them out on a clean, soft surface to prevent scratches. Verify all parts against the package contents list.
2. **Assemble Frame:** Connect the main frame components using the provided bolts and tools. Do not fully tighten bolts until all parts are loosely assembled.
3. **Attach Headboard:** Secure the linen upholstered headboard to the main frame.
4. **Install Slats:** Place the heavy-duty steel slats into the designated slots on the frame. The quick installation design allows for easy snap-in placement. Ensure anti-noise protection shells are correctly positioned.
5. **Final Tightening:** Once all components are in place, systematically tighten all bolts securely. Do not overtighten.
6. **Apply Safety Features:** Install the fluorescent strips on the bed legs and attach the wrap-in corner protectors as indicated in the manual.

PRODUCT DIMENSION



Material

Fabric & Metal

Twin Size

77x42x40 Inch

Weight Capacity

1000 lbs

Figure 1: Product Dimension Diagram showing 77"L x 42"W x 40"H dimensions, 12" under-bed clearance, and 1000 lbs weight capacity.

Embedded Design

Embedded bed corners easy to place mattresses and prevent mattresses from sliding, no box spring is needed.

Figure 2: Diagram illustrating the quick installation process for the metal slats.

Your browser does not support the video tag.

Video 1: Official Feonase video demonstrating the assembly and features of the modern metal bed frame.

KEY FEATURES

- **Linen Upholstered Headboard:** Features a soft-touch, skin-friendly linen fabric with retro diamond button tufting for a classic and elegant look.
- **Heavy-Duty Metal Frame:** Constructed with hardened square steel slats and 9 support legs, providing stable support for up to 1000 lbs.
- **Noise-Free Design:** Built-in anti-noise protection shells on the metal slats and no gaps at connections ensure a silent sleeping environment.
- **Ample Under-Bed Storage:** Offers a generous 12-inch clearance, providing significant space for storing items and keeping your room tidy.
- **Embedded Mattress Design:** Prevents the mattress from sliding and eliminates the need for a box spring.
- **Safety Enhancements:** Fluorescent strips on bed legs help locate them in the dark, and wrap-in corner protectors prevent accidental bumps.

Skin-Friendly Linen Button Tufting

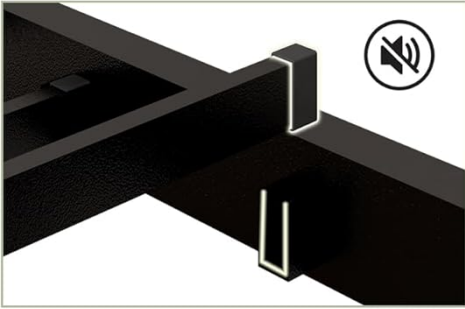
Filling with high-density foam, brings a soft-touch and extremely comfortable experience.



Figure 3: Close-up of the skin-friendly linen button tufting on the headboard.



Heavy-Duty Metal



Zero Noise Buckles



Thick Legs Supports



Figure 4: Illustration of the heavy-duty metal construction, zero noise buckles, and thick leg supports.

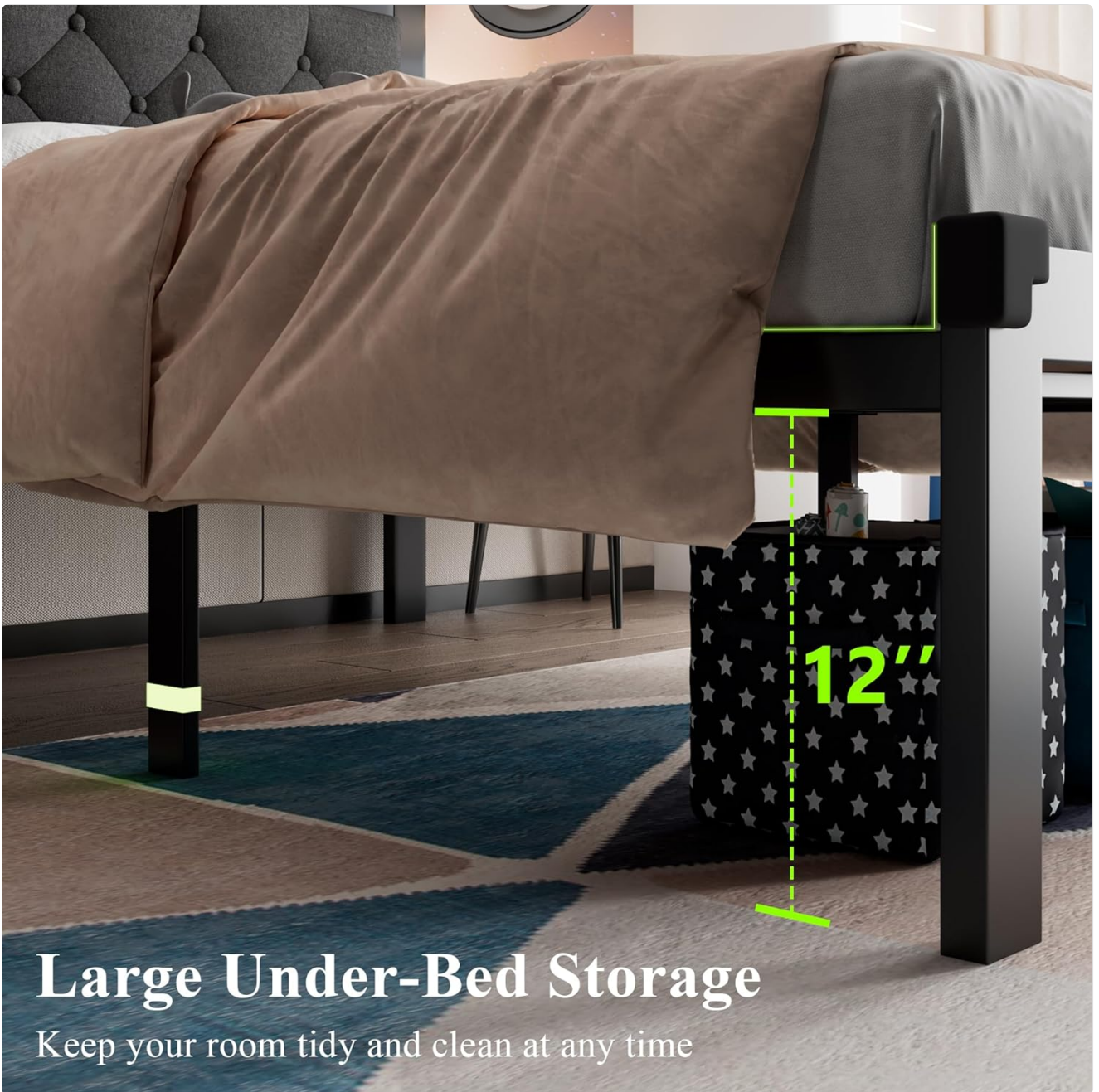


Figure 5: Image highlighting the 12-inch large under-bed storage space.



Embedded Design

Prevent mattresses from sliding and no box spring is needed.

Figure 6: Depiction of the embedded design that prevents mattresses from sliding.

Your browser does not support the video tag.

Video 2: Official Feonase video showcasing the metal bed frame with faux leather tufted headboard and its features.

OPERATING AND USE

Once assembled, place your twin-size mattress directly onto the steel slat platform. No box spring is required. The embedded design will help keep your mattress securely in place. The 12-inch clearance beneath the bed provides convenient storage for various items.

MAINTENANCE

- **Cleaning:** For the metal frame, wipe with a damp cloth and mild detergent. For the linen upholstered headboard, spot

clean with a mild fabric cleaner as needed. Avoid harsh chemicals.

- **Fasteners:** Periodically check all bolts and fasteners to ensure they remain tight. Retighten if necessary to maintain stability.
- **Inspection:** Regularly inspect the bed frame for any signs of wear, damage, or loose components. Address any issues promptly.

TROUBLESHOOTING

- **Squeaking Noises:** If you experience squeaking, ensure all bolts are tightly secured. The anti-noise protection shells on the slats are designed to prevent this; verify they are correctly installed.
- **Mattress Sliding:** The embedded design should prevent mattress movement. If your mattress slides, ensure it is properly seated within the frame and that the frame is on a level surface.
- **Instability/Wobbling:** Check that all frame connections are tight and that the bed is placed on a firm, level floor.

SPECIFICATIONS

Model Number:	LKJ102
Size:	Twin
Material:	Metal (Frame), Linen (Headboard)
Product Dimensions (L x W x H):	77" x 42" x 40"
Under-Bed Clearance:	12 inches
Maximum Weight Recommendation:	1000 Pounds
Assembly Required:	Yes
Color:	Gray

WARRANTY AND SUPPORT

Feonase is committed to providing high-quality products and services. This bed frame comes with a 10-year warranty, ensuring long-term durability and performance. For any inquiries, assistance, or to report issues, please contact our 24/7 Pre-Sale and After-Sale Customer Service. We are dedicated to ensuring your satisfaction.

For more information, visit the official Feonase store: [Feonase Store](#)

