

[Manuals.plus](#) /

› [Bellemave](#) /

› Bellemave 24-inch Bathroom Vanity with Sink Instruction Manual (Model: cabinet)

## Bellemave cabinet

# Bellemave 24-inch Bathroom Vanity with Sink Instruction Manual

Model: cabinet

## INTRODUCTION

---

This manual provides detailed instructions for the assembly, operation, and maintenance of your Bellemave 24-inch Bathroom Vanity with Sink. Please read all instructions carefully before beginning assembly and retain this manual for future reference.



Figure 1: Bellemave 24-inch Bathroom Vanity with Sink (Closed View)

## SAFETY INFORMATION

Please observe the following safety precautions during assembly and use:

- Keep all small parts and packaging materials away from children.
- Ensure all connections are secure before using the vanity.
- Do not exceed the maximum weight capacity of 150 pounds.
- Use appropriate tools and follow assembly steps precisely to prevent injury or damage.
- Avoid placing hot items directly on the ceramic sink or vanity surface without protection.

## PACKAGE CONTENTS

Verify that all components are present before beginning assembly:

- Vanity Cabinet Base (Solid Rubber Wood & MDF Board)
- Ceramic Sink Top
- Moru Glass Door Panel
- Hardware Kit (Stainless steel door hinges, metal handles, drawer slide rails, screws, etc.)

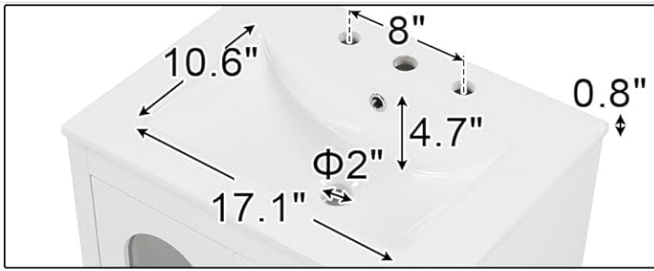


Figure 2: Key Components of the Vanity

## SPECIFICATIONS

Feature	Detail
Overall Product Dimensions	18.3"D x 24"W x 33.2"H
Overall Weight	102.07 lbs

Weight Capacity	150 lbs
Materials	Solid Rubber Wood, MDF Board, Moru Glass, Ceramic
Finish	Painted
Number of Doors	1
Number of Drawers	2
Overflow Hole	Yes (with metal circle)
Faucet Mount	8" Widespread (faucet not included)
Assembly Required	Yes
Installation Type	Freestanding



**unit:inch**

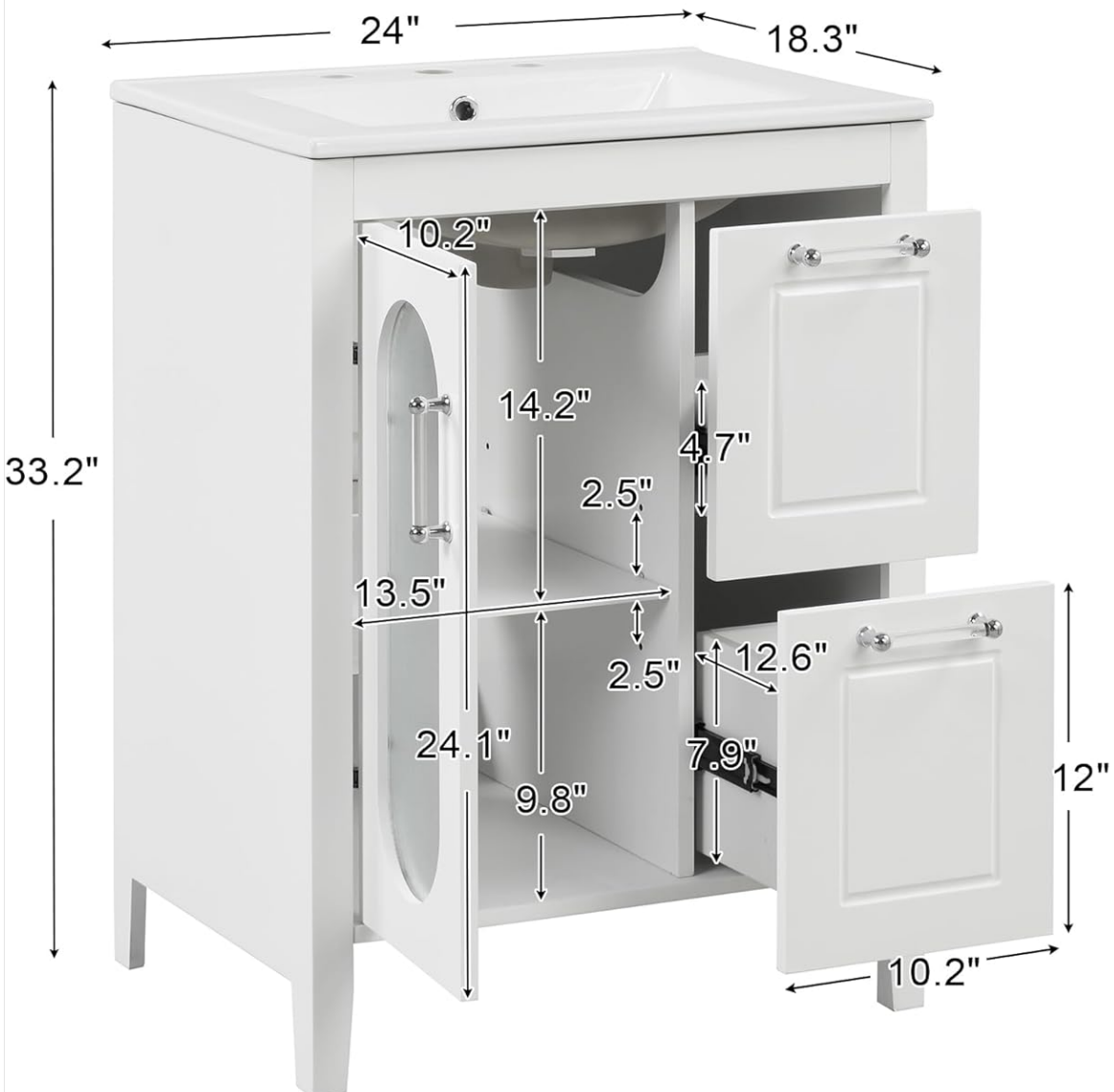


Figure 3: Product Dimensions



Figure 4: Integrated Ceramic Sink Features

## SETUP AND ASSEMBLY

Assembly of the Bellemave Bathroom Vanity is required. The package includes all necessary accessories and clear instructions to facilitate the process.

1. Unpack all components and verify against the package contents list.
2. Follow the step-by-step instructions provided in the separate assembly guide included in your package.
3. Assemble the vanity cabinet base, ensuring all screws and fasteners are tightened securely.
4. Install the drawer slide rails and attach the drawers.
5. Attach the Moru glass door using the provided stainless steel hinges.
6. Place the ceramic sink top onto the assembled cabinet base.
7. Install your chosen 8-inch widespread faucet (not included) into the pre-drilled holes on the sink.



Figure 5: Vanity Interior (Empty)

## OPERATION

The Bellemave Bathroom Vanity is designed for practical storage and daily use.

- **Storage Cabinet:** The cabinet features a door with Moru glass and an adjustable shelf inside. The shelf can be set at three different heights to accommodate various item sizes, such as lotions, shampoos, or towels.
- **Drawers:** Two drawers with sliding rails provide additional enclosed storage for smaller bathroom essentials, keeping them organized and protected from dust.
- **Ceramic Sink:** The integrated ceramic sink is designed with a smooth, water-resistant finish for easy cleaning. It includes a chrome-finish overflow to prevent water from spilling over if the faucet is accidentally left on.

# Ample Storage Space

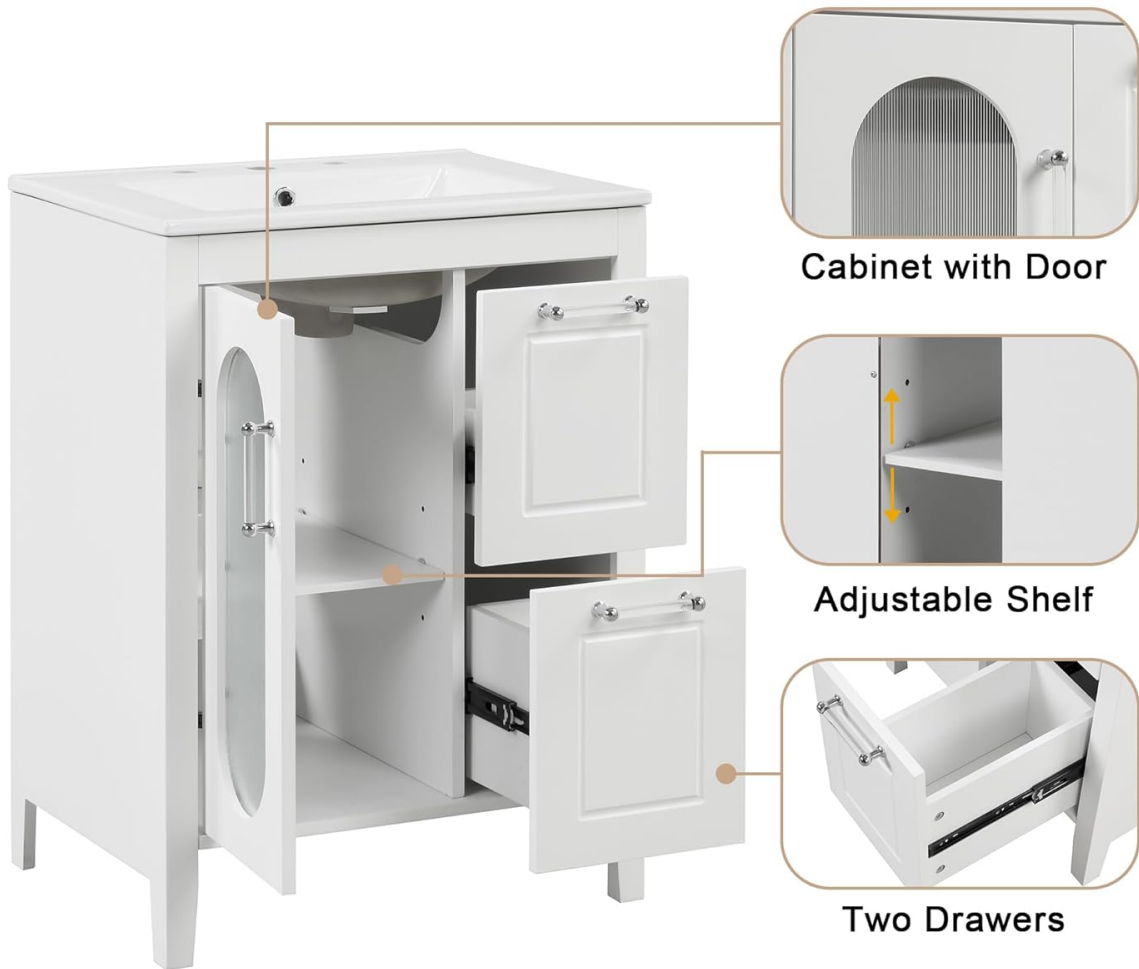


Figure 6: Storage Space Overview



Figure 7: Vanity in Use with Stored Items

## MAINTENANCE

Proper care will ensure the longevity and appearance of your Bellemave Bathroom Vanity:

- **Cleaning the Vanity:** Wipe the vanity surfaces with a damp cloth. Avoid abrasive cleaners or harsh chemicals that could damage the painted finish.
- **Cleaning the Sink:** The ceramic sink is designed to be easy to clean. Use mild soap and water with a soft cloth or sponge. Rinse thoroughly and dry to prevent water spots.
- **Hardware:** Periodically check and tighten any loose screws on hinges, handles, or drawer slides.
- **Spills:** Promptly wipe up any water spills on the vanity surface to prevent moisture damage.

## TROUBLESHOOTING

If you encounter any issues, consider the following common solutions:

- **Loose Components:** If any part feels loose, re-tighten the corresponding screws. Do not over-tighten.
- **Drawer Malfunction:** Ensure drawer slides are clean and free of obstructions. Check if the drawer is properly aligned on its rails.

- **Water Leaks:** If a leak occurs around the sink or faucet, check all plumbing connections for tightness. Consult a professional plumber if the issue persists.
- **Stains on Sink:** For stubborn stains on the ceramic sink, use a non-abrasive bathroom cleaner specifically designed for ceramic surfaces.

## **WARRANTY AND SUPPORT**

---

Bellemave is committed to providing quality products and customer satisfaction. Your vanity comes with hassle-free after-sales service.

If you experience any non-human damage to the bathroom vanity or have questions regarding its assembly, operation, or maintenance, please do not hesitate to contact Bellemave customer support. We are dedicated to providing satisfactory service and assistance.

For support, please refer to the contact information provided with your purchase documentation or visit the official Bellemave store online.