

EISL 1330090B

EISL CARNEO Bathtub Faucet with Thermostatic Control - Instruction Manual

Model: 1330090B

INTRODUCTION

Thank you for choosing the EISL CARNEO Bathtub Faucet. This manual provides essential information for the safe and efficient installation, operation, and maintenance of your new thermostatic mixer. Please read these instructions carefully before installation and retain them for future reference.

SAFETY INFORMATION

- Ensure all water supply lines are turned off before beginning installation.
- The faucet features a 38°C safety lock to prevent scalding. Do not attempt to bypass this feature.
- Installation should be performed by a qualified professional if you are unsure about any steps.
- Check for leaks after installation and before full use.

PACKAGE CONTENTS

Verify that all components are present before starting installation:

- 1 x EISL CARNEO Bathtub Faucet (Matte Black)
- 1 x Mounting set including S-connections (45 mm)
- 2 x Cover caps
- Seals
- Instruction Manual



Figure 1: Package contents including the faucet, mounting hardware, and manual.

SETUP AND INSTALLATION

The EISL CARNEO faucet is designed for wall mounting. Follow these steps for proper installation:

1. **Prepare Wall Connections:** Ensure your hot and cold water supply lines are correctly positioned and spaced for the S-connections (standard 150mm center distance). The hot water inlet should typically be on the left, and cold on the right.
2. **Install S-Connections:** Screw the S-connections into the wall outlets. Adjust them until they are level and the correct distance apart for the faucet. Use thread seal tape for a watertight connection.
3. **Attach Cover Caps:** Place the decorative cover caps over the S-connections, flush against the wall.
4. **Mount the Faucet:** Carefully align the faucet with the S-connections. Hand-tighten the nuts onto the S-connections.
5. **Final Tightening:** Use an appropriate wrench to securely tighten the nuts. Be careful not to overtighten, which can damage the connections or seals.
6. **Check for Leaks:** Slowly turn on the main water supply and inspect all connections for any signs of leakage. Tighten further if necessary.



Figure 2: Visual guide for faucet installation.



Figure 3: The faucet's low projection (approx. 100 mm) enhances bathing space and reduces impact risk.

OPERATING INSTRUCTIONS

The EISL CARNEO faucet offers precise temperature control and versatile water delivery.

Temperature Control

- The right knob controls the water temperature. Turn it to adjust between cold and hot water.
- **38°C Safety Lock:** To select temperatures above 38°C, press and hold the safety button located on the right knob while turning it further. This prevents accidental scalding.
- The thermostatic cartridge maintains a constant water temperature, compensating for pressure fluctuations in the water supply.



Figure 4: The 38°C safety lock button for scald protection.

Water Flow and Spout Selection

- The left knob controls the water flow and switches between the waterfall spout and a connected hand shower (if applicable).
- Turn the knob to increase or decrease water flow.
- Rotate the knob to switch between the integrated waterfall spout and the hand shower outlet.



Figure 5: The waterfall spout in operation and the easy switching mechanism.

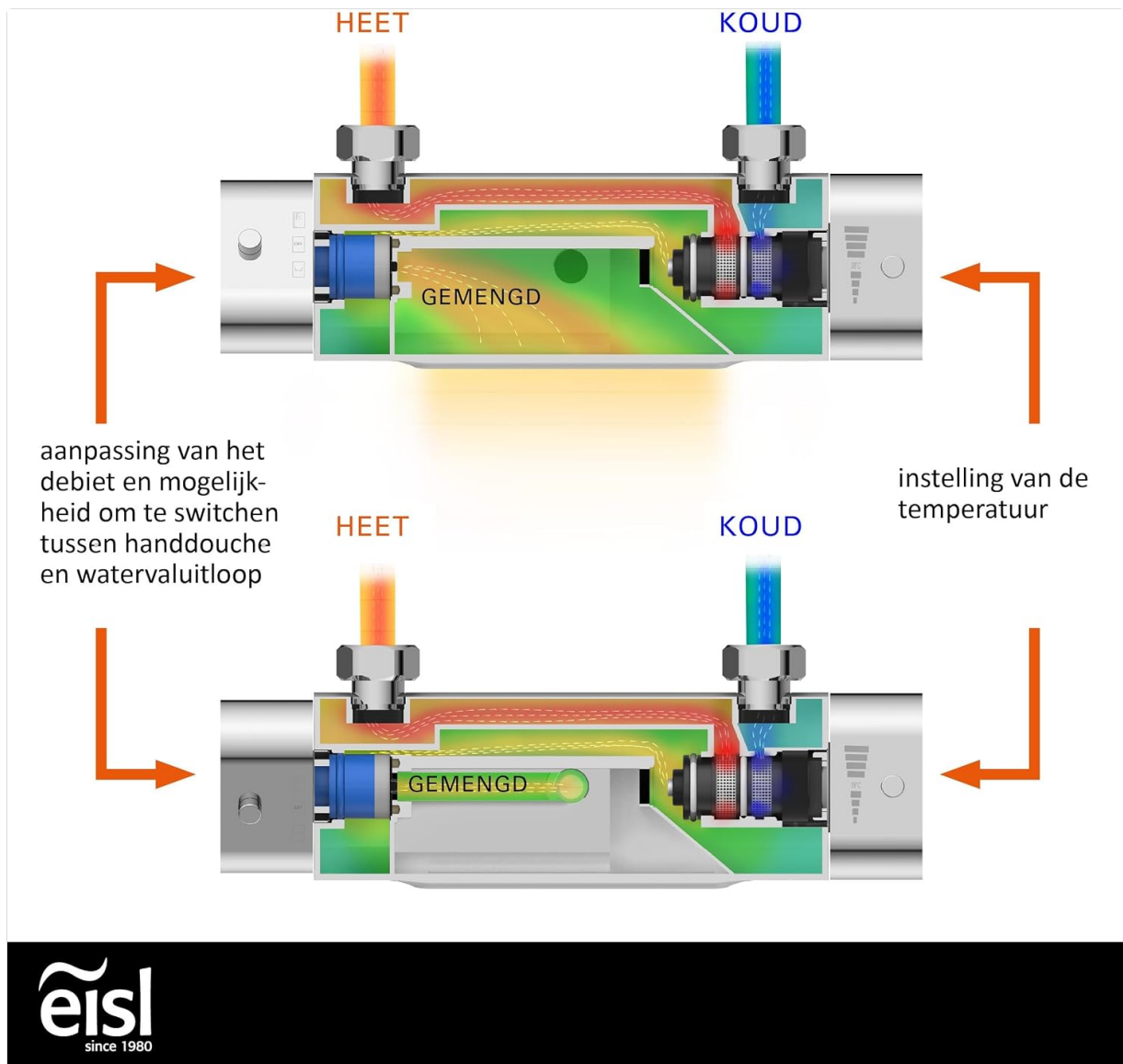


Figure 6: Internal diagram showing hot and cold water mixing and temperature regulation.

MAINTENANCE AND CLEANING

To ensure the longevity and appearance of your EISL CARNEO faucet, follow these cleaning guidelines:

- **Regular Cleaning:** Clean the faucet regularly with a soft cloth and mild soap or a non-abrasive bathroom cleaner.
- **Avoid Harsh Chemicals:** Do not use abrasive cleaners, scouring pads, or cleaners containing alcohol, ammonia, or phosphoric acid, as these can damage the matte black finish.
- **Rinse Thoroughly:** After cleaning, rinse the faucet thoroughly with clean water and dry it with a soft cloth to prevent water spots.
- **Thermostatic Cartridge:** If temperature regulation becomes inconsistent, the thermostatic cartridge may need descaling or replacement. This should be done by a qualified professional.

TROUBLESHOOTING

If you encounter issues with your faucet, refer to the following common problems and solutions:

- **No Water Flow or Low Pressure:**
 - Check if the main water supply is fully open.

- Inspect the aerator (if present) for blockages and clean it.
- Ensure the S-connections are not obstructed.

- **Inconsistent Water Temperature:**

- Verify that the hot and cold water supplies are connected correctly.
- The thermostatic cartridge might require calibration or descaling. Consult a professional.
- Ensure sufficient hot water supply from your water heater.

- **Leaks from Connections:**

- Tighten the S-connection nuts carefully.
- Check the seals and O-rings for damage and replace if necessary.

- **Water Not Switching Between Spout/Shower:**

- Ensure the diverter knob is fully rotated to the desired position.
- Internal diverter mechanism might be obstructed or faulty.

For persistent issues, please contact customer support.

SPECIFICATIONS

Brand	EISL
Model Name	CARNEO
Model Number	1330090B
Type	Thermostatic Bathtub Faucet
Finish	Matte Black
Material	Brass
Mounting Type	Wall-mounted
Number of Handles	1 (Thermostatic control)
Spout Design	Waterfall
Spout Reach	Approx. 10 cm
Safety Feature	38°C Safety Lock
Item Weight	2 Kilograms
Dimensions (D x W x H)	Approx. 0.7D x 2.7W x 0.35H meters (This seems like a typo in source, likely 27.2 x 7.2 x 3.5 cm)

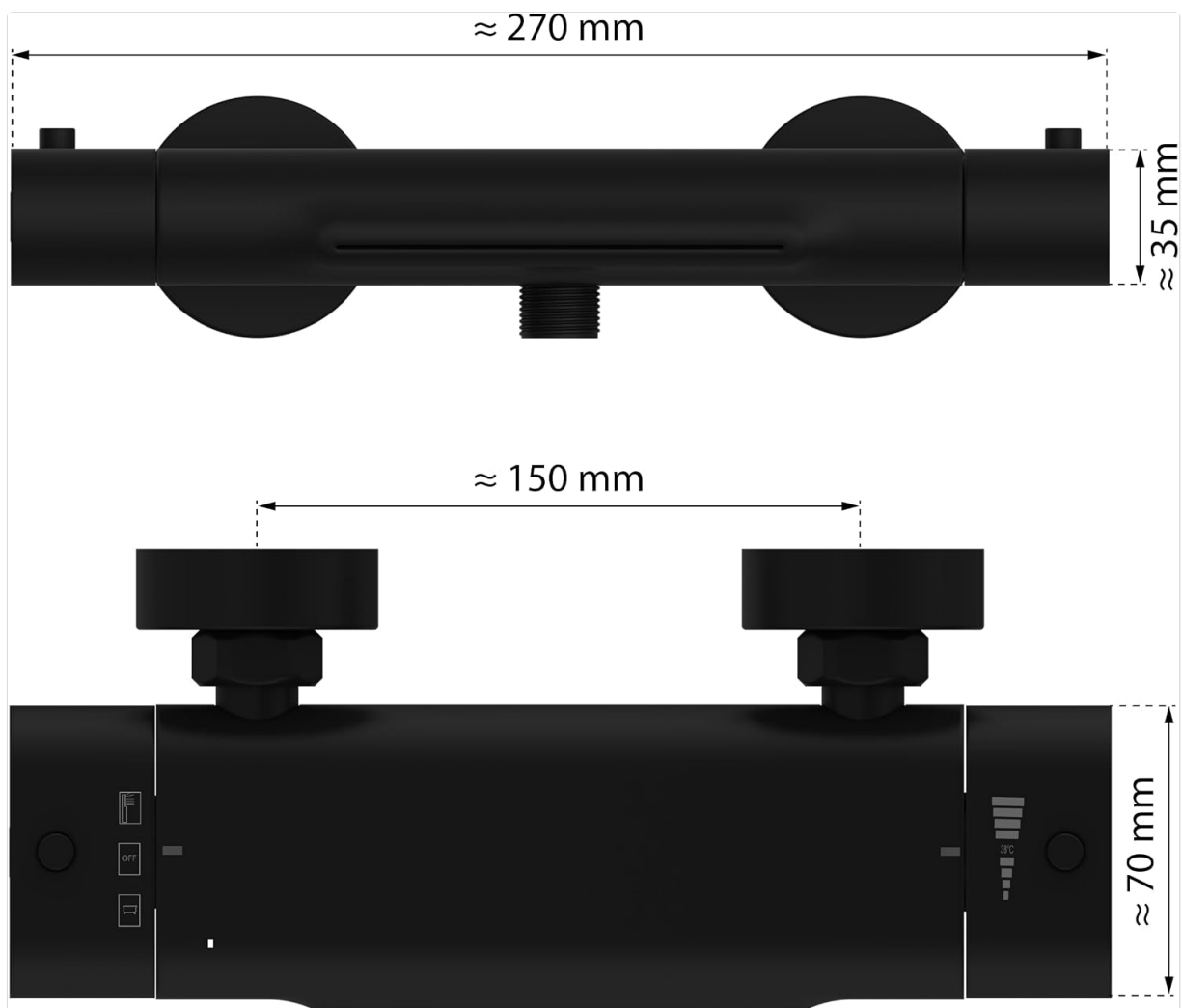


Figure 7: Detailed dimensions of the EISL CARNEO faucet.

WARRANTY AND SUPPORT

EISL stands behind the quality of its products. For warranty information or technical support, please contact us directly.

Contact Information:

EISL Customer Service

Phone: +49 (0) 5407-81529-0 – 29

Location: Wallenhorst

Please have your model number (1330090B) and purchase date ready when contacting support.