

Manuals+

[Q & A](#) | [Deep Search](#) | [Upload](#)

manuals.plus /

› [MILTON](#) /

› [Milton Royal 1500 Insulated Inner Stainless Steel Casserole User Manual](#)

MILTON Royal 1500

Milton Royal 1500 Insulated Inner Stainless Steel Casserole User Manual

Model: Royal 1500 (EEXIIKA403BLCK0024)

INTRODUCTION

This manual provides instructions for the proper use and care of your Milton Royal 1500 Insulated Inner Stainless Steel Casserole. Please read these instructions carefully before first use to ensure optimal performance and longevity of your product.

PRODUCT OVERVIEW

The Milton Royal 1500 Casserole is designed to keep food hot or cold for extended periods. It features a double-walled construction with an inner stainless steel container and an outer body made from food-grade virgin plastic. The casserole is BPA-free and suitable for various food storage needs.

Key Features:

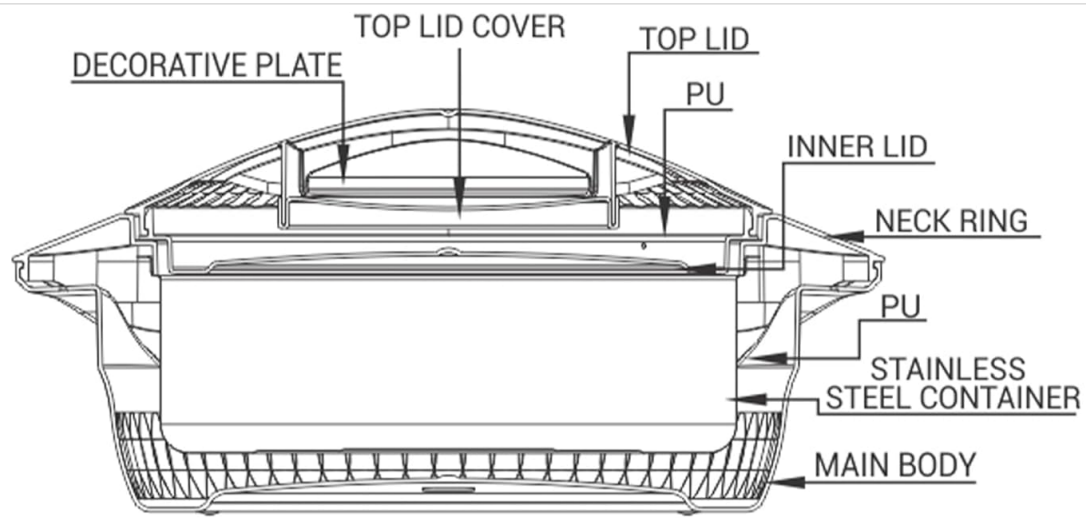
- Double-walled insulation for temperature retention.
- Inner container made of stainless steel.
- Outer body made from food-grade virgin plastic.
- BPA-free construction.
- Suitable for keeping food hot or cold.
- Easy to carry and store.



Image: The Milton Royal 1500 Casserole highlighting its double-walled, PU insulated, stainless steel inner, hot & cold capabilities, and warnings against microwave use and direct contact with fire.

Components:

The casserole consists of a main body, an inner stainless steel container, a neck ring, an inner lid, a top lid, and a decorative plate on the top lid cover.



FEATURES

- Keeps the food hot and fresh
- Can be used as a curd maker, as Ice- packs to store ice cream, custard etc.
- Easy to Carry-Easy to Store
- Made from food grade virgin plastic
- Hygienic and odourless
- Unique & attractive shape
- Available in different capacities and gift set
- Attractive colors to choose from



Image: A cross-sectional diagram illustrating the various components of the casserole, including the main body, stainless steel container, PU insulation, neck ring, inner lid, top lid, and decorative plate.

SETUP

1. **Unpacking:** Carefully remove the casserole from its packaging. Inspect for any damage.
2. **Initial Cleaning:** Before first use, wash the casserole thoroughly with mild soap and warm water. Rinse well and dry completely.
3. **Pre-warming/Pre-cooling (Optional, Recommended):** For best results, pre-warm the casserole with hot water for 5-10 minutes before adding hot food, or pre-cool with cold water for 5-10 minutes before adding cold food. Discard the water before use.



Image: The Milton Royal 1500 Casserole with its lid open, revealing the empty stainless steel inner container, ready for cleaning or pre-warming.

OPERATING INSTRUCTIONS

To maximize the temperature retention of your casserole, follow these guidelines:

- **For Hot Food:** Transfer hot food directly into the pre-warmed stainless steel inner container. Close the lid tightly immediately after filling to seal in the heat.
- **For Cold Food:** Transfer cold food into the pre-cooled stainless steel inner container. Close the lid tightly to maintain coolness.
- **Filling Capacity:** For optimal performance, fill the casserole as much as possible, leaving minimal air space.
- **Common Uses:** This casserole is suitable for serving salads, chapattis, roti, and can also be used as a curd maker or for storing ice cream and custard.



Image: The Milton Royal 1500 Casserole filled with a colorful dish, demonstrating its use for serving meals while keeping them warm.

MAINTENANCE AND CARE

- **Cleaning:** The casserole is dishwasher safe. For hand washing, use mild dish soap and a soft sponge. Avoid abrasive cleaners or scrubbers that could scratch the surface.
- **Drying:** Ensure all parts are thoroughly dry before storing to prevent odors or bacterial growth.
- **Storage:** Store with the lid slightly ajar to allow air circulation and prevent moisture buildup.
- **Warnings:**
 - **Not Oven Safe:** Do not place the casserole in a conventional oven, microwave oven, or on a stovetop.
 - **Avoid Harsh Chemicals:** Do not use harsh chemicals or bleach for cleaning.
 - **No Direct Flame:** Keep away from direct heat sources or open flames.

TROUBLESHOOTING

- **Food not staying warm/cold:** Ensure the lid is closed tightly. Pre-warming or pre-cooling the casserole before adding food significantly improves temperature retention. Ensure the casserole is filled adequately, as partially filled casseroles lose temperature faster.
- **Casserole leaks:** This casserole is designed for serving and keeping food warm/cold, not for transporting liquids. It is not leak-proof when tilted or carried with liquid contents.

SPECIFICATIONS

Feature	Detail
Brand	MILTON
Model Number	EEXIIKA403BLCK0024

Material (Inner)	Stainless Steel
Material (Lid)	Plastic
Color	Black Gold
Finish Type	Polished
Shape	Round
Capacity	1.27 Liters (1.34 QT, 42.9 OZ, 5.3 CUP)
Item Weight	8.7 ounces
Product Dimensions	8.74"D x 5.31"W x 8.74"H
Dishwasher Safe	Yes
Oven Safe	No



Image: The Milton Royal 1500 Casserole displaying its length (26.6 cm), height (13 cm), and capacity in various units (1.27 Litre, 1.34 QT, 42.9 OZ, 5.3 CUP).

WARRANTY AND SUPPORT

For warranty information or product support, please refer to the packaging or contact MILTON customer service directly. Contact details can typically be found on the manufacturer's official website or product documentation.