

YATOINTO 1000LBS

YATOINTO Portable Drill Winch 1000LBS Instruction Manual


Model: 1000LBS

1. PRODUCT OVERVIEW

The YATOINTO Portable Drill Winch is a compact and powerful tool designed for lifting and dragging tasks. It features a 1000 LB pulling capacity and a 40-foot alloy steel wire rope. This winch is powered by a standard portable drill (not included), offering versatility for various applications.

Key features include:

- **Portable and Powerful:** Weighs only 11 lbs, easy to carry and operate by one person. Offers a maximum single-line pulling capacity of 1000 lbs.
- **Easy to Use:** Features a free-clutch knob for easy rope release and locking.
- **Safety Design:** Includes a visual window for observing wire rope changes and a flexible fair lead for enhanced safety.
- **Versatile Applications:** Equipped with 360° rotary hooks, suitable for tasks such as log handling, vehicle recovery, and general pulling needs.



The traction hook of the drill winch is equipped with a safety pick, which effectively prevents the traction object from falling off during the traction process.

SAFETY TRACTION HOOK

2. SETUP INSTRUCTIONS

Follow these steps to prepare your YATOINTO Portable Drill Winch for operation:

1. **Release the Wire Rope:** Locate the 'PULL' knob on the side of the winch. Pull out the knob and rotate it clockwise to disengage the clutch, allowing the wire rope to be freely pulled out.
2. **Attach to Item:** Extend the wire rope and securely attach the hook to the item you intend to move. Ensure the hook's safety latch is closed.
3. **Attach Drill:** Insert the 5/16" drive shaft of a standard portable drill (not included) into the winch's drive port. Ensure it is firmly seated.
4. **Lock the Clutch:** Pull the 'PULL' knob out again and turn it counter-clockwise to fully lock the clutch lever. This engages the winch mechanism for pulling.

Your browser does not support the video tag.

Video 1: Demonstration of how to operate the YATOINTO mini drill winch, including cable release and drill attachment.

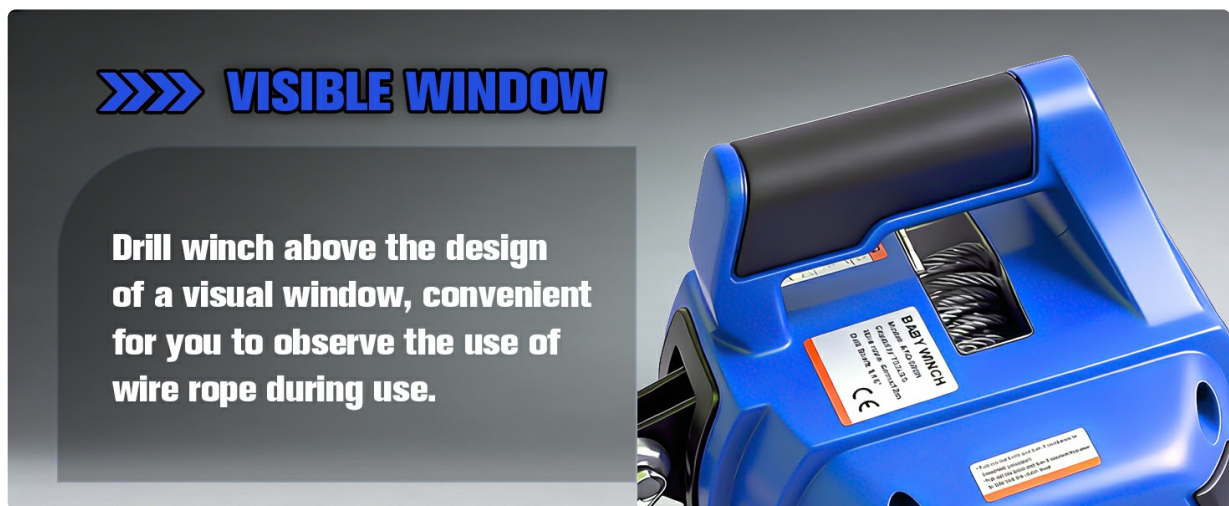


Figure 2: Step-by-step guide on how to set up and use the drill winch.

3. OPERATING INSTRUCTIONS

Once the winch is set up and the clutch is locked, you can begin operating it:

1. **Initiate Pulling:** With the drill attached and the clutch locked, activate the drill to start winding the wire rope onto the spool. The drill's rotation will pull the attached item.
2. **Monitor Rope:** Utilize the visual window on the winch to observe the wire rope as it winds. Ensure it spools evenly and without tangles.
3. **Maintain Tension:** A load is required when tightening the steel wire rope to ensure proper winding and prevent slack.
4. **Release Load:** To release tension or unwind the rope, disengage the clutch by pulling the 'PULL' knob and rotating it clockwise.

Safety Precautions:

- Always wear appropriate personal protective equipment, including gloves and eye protection.
- Ensure the winch is securely anchored or held during operation.

- Do not exceed the maximum pulling capacity of 1000 lbs.
- Keep hands and loose clothing away from moving parts, especially the wire rope and spool.
- Inspect the wire rope for damage before each use.

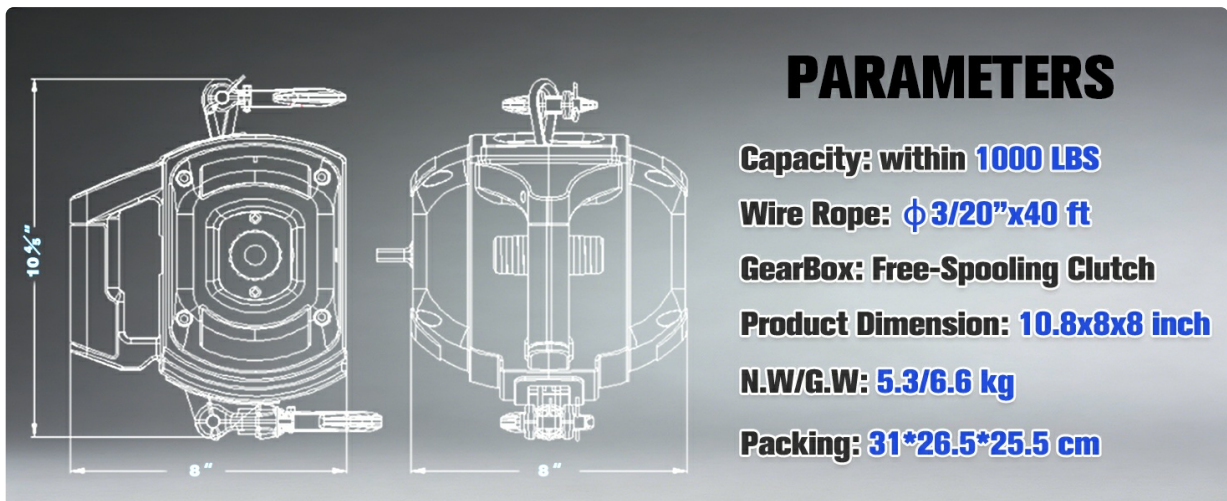


Figure 3: Detailed features of the winch, including the 360° rotary hook and visible wire rope window.

4. MAINTENANCE

Proper maintenance ensures the longevity and safe operation of your drill winch:

- **Wire Rope Inspection:** Regularly inspect the 40-foot alloy steel wire rope for any signs of fraying, kinks, corrosion, or damage. Replace the rope if any damage is observed. The visual window assists in this inspection.
- **Cleaning:** After each use, clean the winch housing and wire rope to remove dirt, debris, or moisture. Use a dry cloth or mild detergent if necessary.
- **Lubrication:** Periodically apply a light lubricant to moving parts, such as the hook pivot points and the clutch mechanism, to ensure smooth operation.
- **Storage:** Store the winch in a dry, clean environment away from direct sunlight and extreme temperatures. Ensure the wire rope is neatly spooled before storage.

5. TROUBLESHOOTING

If you encounter issues with your YATOINTO Portable Drill Winch, consider the following:

- **Winch Not Pulling:** Ensure the drill is properly attached and functioning. Verify that the clutch knob is fully engaged (turned counter-clockwise after pulling out). Check if the wire rope is tangled or obstructed.
- **Wire Rope Not Releasing:** Confirm the clutch knob is disengaged (pulled out and turned clockwise). Check for any obstructions preventing the rope from unwinding freely.
- **Unusual Noises:** Stop operation immediately if you hear grinding or other unusual noises. Inspect the winch for any visible damage or loose components. Do not operate if damage is suspected.

For persistent issues or concerns not addressed here, please contact YATOINTO customer support through Amazon.

6. SPECIFICATIONS

Feature	Detail
Model	1000LBS
Pulling Capacity	Up to 1000 lbs (single-line)
Wire Rope	3/20" diameter x 40 ft length, Alloy Steel
Gearbox	Free-Spooling Clutch
Product Dimensions	10.8 x 8 x 8 inches
Item Weight	14.67 lbs
Net Weight / Gross Weight	5.3 kg / 6.6 kg
Power Source	Standard Portable Drill (5/16" drive shaft)
Color	Blue

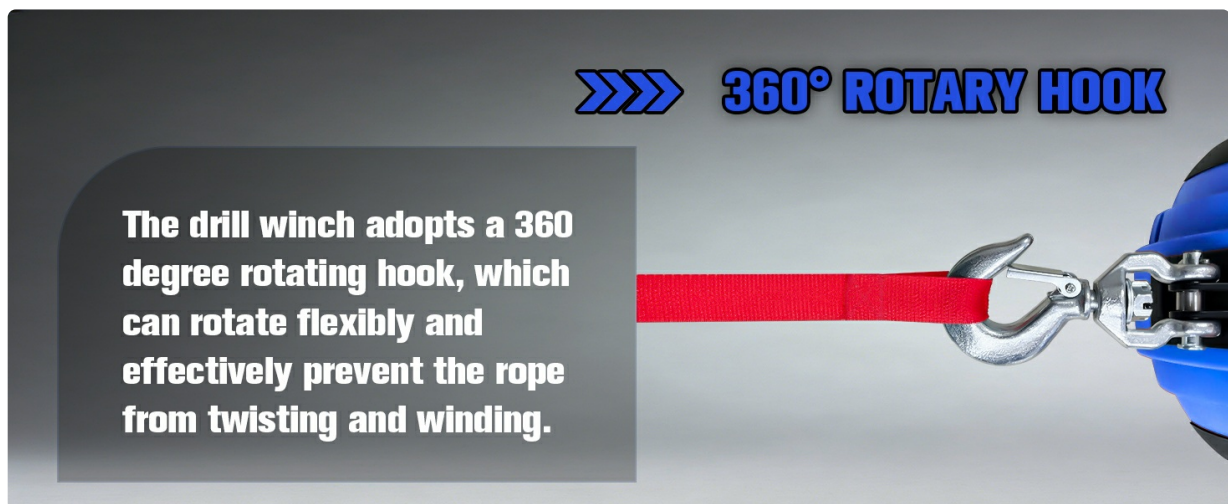


Figure 4: Product parameters and dimensions.

7. WARRANTY AND SUPPORT

YATOINTO provides a 100% After-Sales Guarantee for this drill winch. If you have any questions or require assistance, please do not hesitate to contact us through the Amazon platform. We are committed to providing satisfactory customer service.