

[Manuals.plus](#) /

› [ELEKICO](#) /

› ELEKICO T8 LED Bulbs 4 Foot Instruction Manual

## ELEKICO T8 LED Bulbs 4 Foot (24W 3600LM 6500K)

# ELEKICO T8 LED Bulbs 4 Foot Instruction Manual

Model: T8 LED Bulbs 4 Foot (24W 3600LM 6500K)

## 1. INTRODUCTION

---

Thank you for choosing ELEKICO T8 LED Bulbs. These 4-foot LED tubes are designed as energy-efficient replacements for traditional fluorescent tubes, offering 6500K daylight white illumination with a high output of 3600 lumens. They feature a G13 bi-pin base and are Type B, requiring a ballast bypass for installation. This manual provides essential information for safe installation, operation, and maintenance of your new LED bulbs.

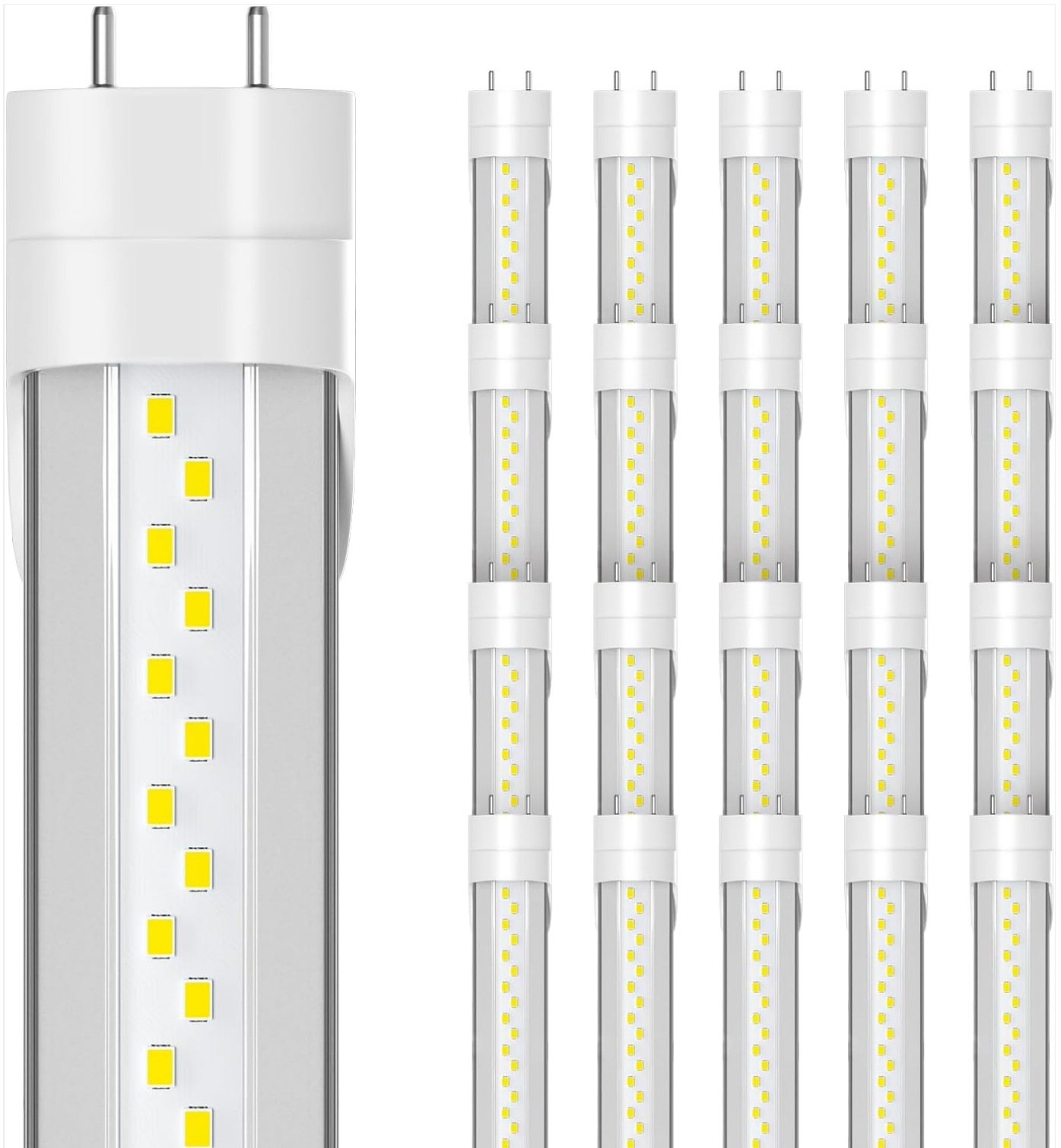


Figure 1: ELEKICO T8 LED Bulbs (20-Pack)

## 2. IMPORTANT SAFETY INSTRUCTIONS

---

- **WARNING: Risk of Electric Shock.** Always disconnect power at the circuit breaker or fuse box before installation, removal, or servicing.
- This product is designed for Type B (ballast bypass) installation. Do not attempt to install these bulbs with an existing ballast.
- Installation should be performed by a qualified electrician if you are unfamiliar with electrical wiring.
- Do not use with dimmers unless explicitly stated as compatible. These bulbs are typically non-dimmable.
- Do not bend or apply excessive force to the LED tubes.
- Ensure the fixture is properly grounded.

- Operating temperature range: -20°C to 45°C (-4°F to 113°F).

### 3. PACKAGE CONTENTS

---

Your package contains:

- ELEKICO 4-foot T8 LED Bulbs (Quantity as per purchase, e.g., 20-pack)
- Instruction Manual (this document)

### 4. PRODUCT SPECIFICATIONS

---

<b>Brand</b>	ELEKICO
<b>Light Type</b>	LED
<b>Bulb Shape Size</b>	T8
<b>Bulb Base</b>	G13 Bi-Pin
<b>Wattage</b>	24 Watts
<b>Brightness</b>	3600 Lumens
<b>Color Temperature</b>	6500 Kelvin (Daylight White)
<b>Voltage</b>	100-120 Volts AC, 60 Hertz
<b>CRI (Color Rendering Index)</b>	85
<b>Beam Angle</b>	120 Degrees
<b>Average Life</b>	Up to 50,000 Hours
<b>Material</b>	Aluminum
<b>Indoor/Outdoor Usage</b>	Indoor

**ELEKICO**

# 192 LED CHIPS EMITTING UP TO 3600 LUMENS

ETL CLASSIFIED



192 LED chips



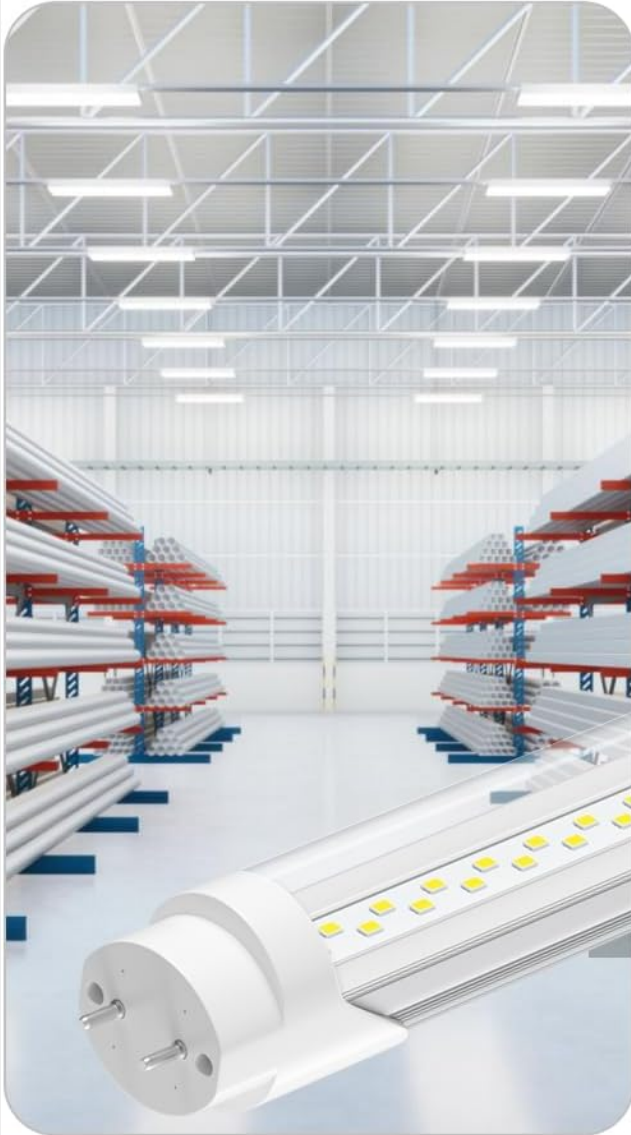
4FT

**Bi-Pin G13 Base**  
Dual-end Powered

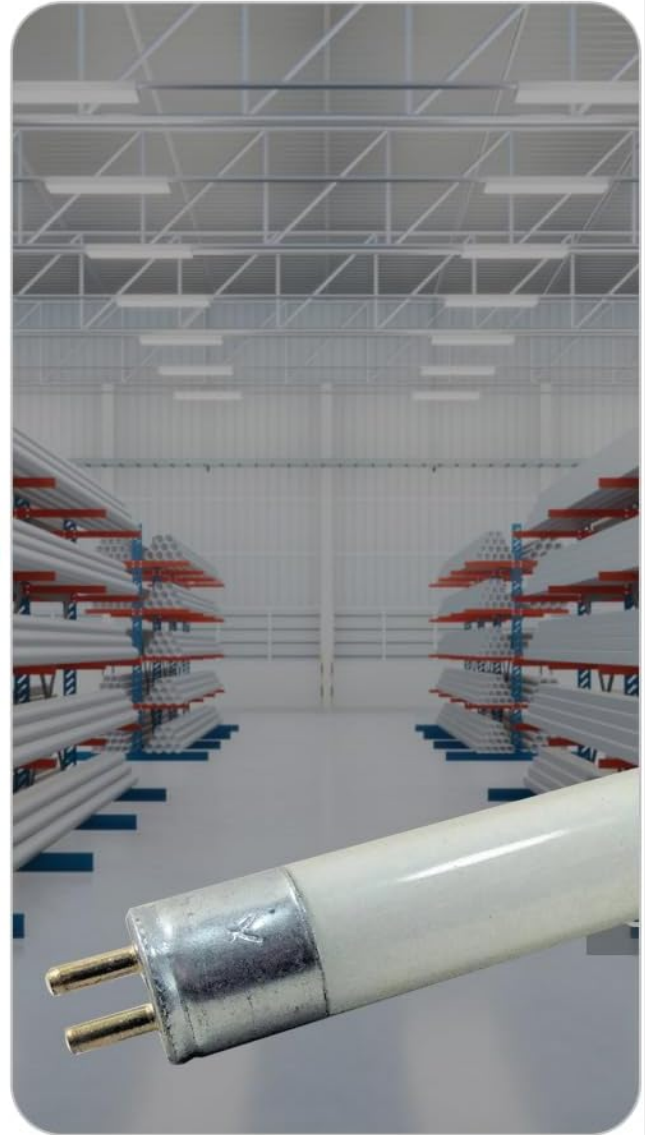
Figure 2: LED Chips and G13 Base Detail

# ELEKICO 4FT LED TULBS

50% Electric Energy Saved



VS



## LED tube light

- Lumen:3600LM
- Power:24W
- Voltage:AC100-277V

## Fluorescent tube

- Lumen:2600LM
- Power:45W
- Voltage:AC100-277V

Figure 3: LED vs. Fluorescent Tube Comparison

## 5. INSTALLATION (BALLAST BYPASS)

These ELEKICO T8 LED bulbs are Type B, meaning they require direct wiring to the main power supply and bypass the existing fluorescent ballast. This process involves modifying the fixture's wiring. If you are not comfortable with electrical work, please consult a qualified electrician.

## Required Tools:

- Screwdriver
- Wire strippers
- Wire nuts or WAGO connectors
- Voltage tester

## Installation Steps:

1. **Disconnect Power:** Locate the circuit breaker controlling the light fixture and turn off the power. Verify that the power is off using a voltage tester.
2. **Remove Existing Fluorescent Tubes:** Carefully remove the old fluorescent tubes from the fixture.
3. **Access Ballast:** Open the fixture to access the ballast and its wiring. This usually involves removing a cover or diffuser.
4. **Bypass/Remove Ballast:** Cut all wires connected to the ballast. Remove the ballast from the fixture.
5. **Rewire the Fixture:** These LED tubes are dual-end powered. Connect the live (L) wire from the main power supply to the shunted or non-shunted tombstone on one end of the fixture. Connect the neutral (N) wire from the main power supply to the shunted or non-shunted tombstone on the opposite end of the fixture. Ensure all connections are secure with wire nuts or WAGO connectors.
6. **Install LED Tubes:** Insert the ELEKICO T8 LED bulbs into the fixture, ensuring the pins are correctly aligned with the tombstone sockets.
7. **Secure Fixture and Restore Power:** Close the fixture cover. Restore power at the circuit breaker and test the new LED bulbs.



## TYPE B: BALLAST BYPASS

### BEFORE



### AFTER

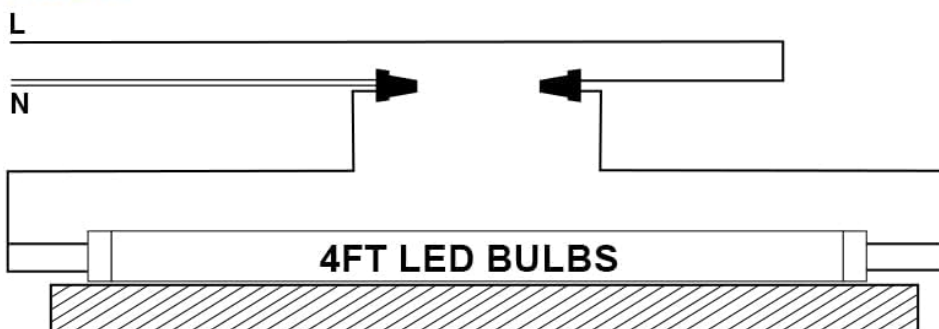


Figure 4: Ballast Bypass Wiring Diagram

## 6. OPERATING INSTRUCTIONS

Once installed, operating your ELEKICO T8 LED bulbs is straightforward. Simply use the existing wall switch or fixture switch to turn the lights on or off. These bulbs provide instant full brightness without flickering or warm-up time.

## 7. MAINTENANCE

---

ELEKICO T8 LED bulbs require minimal maintenance due to their long lifespan and durable construction.

- **Cleaning:** Ensure the power is off before cleaning. Use a soft, dry, or slightly damp cloth to wipe the surface of the bulbs. Do not use abrasive cleaners or solvents.
- **Replacement:** With an average lifespan of 50,000 hours, these bulbs are designed for extended use. If a bulb needs replacement, ensure power is off, remove the old bulb, and install a new ELEKICO T8 LED bulb following the installation steps.

## 8. TROUBLESHOOTING

---

Problem	Possible Cause	Solution
Bulb does not light up	No power to the fixture Incorrect wiring Loose connection Defective bulb	Check circuit breaker and wall switch. Verify wiring connections according to the ballast bypass diagram. Ensure bulbs are securely seated in sockets. Test with a known working bulb.
Bulb flickers	Loose connection Incompatible dimmer (if used) Voltage fluctuations	Check connections at both ends of the bulb and fixture wiring. These bulbs are not designed for dimmers. Remove any dimmer switches. Consult an electrician to check power supply.
Reduced brightness	Dust accumulation Aging bulb (unlikely given lifespan)	Clean the bulb surface. If the bulb is very old, consider replacement.

## 9. WARRANTY AND CUSTOMER SUPPORT

---

ELEKICO T8 LED Bulbs come with a **5-year warranty**. We are confident in the durability and performance of our products. If you encounter any product quality issues within the warranty period, we offer free exchanges.

For technical assistance, warranty claims, or any questions regarding your ELEKICO product, please contact our customer service team. We provide **7/24 Hours Customer Service** to ensure your satisfaction.

**Contact Information:** Please refer to the contact details provided on the product packaging or the official ELEKICO website for the most up-to-date support information.

## 10. TYPICAL APPLICATIONS

---

These ELEKICO T8 LED bulbs are suitable for a wide range of indoor applications where bright, efficient lighting is required, including:

- Warehouses
- Garages
- Workshops
- Offices
- Retail Spaces

# 4FT LED TUBE APPLICATIONS



Figure 5: Example Applications

