

## Manuals+

[Q & A](#) | [Deep Search](#) | [Upload](#)

[manuals.plus](#) /

› [Vitrifrigo](#) /

› [Refrigerator 12/24 Volt C95L Vitrifrigo](#)

## Vitrifrigo C95L

# Instruction Manual

Vitrifrigo C95L Refrigerator

## 1. PRODUCT OVERVIEW

The Vitrifrigo C95L is a 95-liter under-counter refrigerator designed for 12V or 24V DC operation, making it ideal for mobile applications such as motorhomes, campervans, and equestrian vehicles. Its shallow depth allows for flexible installation in various vehicle conversions. A key feature is its remote compressor, which can be located up to 1 meter away from the main refrigerator unit, optimizing internal storage space. This model is particularly suited for installations where space is at a premium and efficient power consumption from sources like solar power is desired.



Figure 1: Vitrifrigo C95L Refrigerator with remote compressor unit.

## 2. SAFETY INSTRUCTIONS

---

Please read all safety instructions carefully before installation and operation to prevent injury or damage.

- **Electrical Safety:** Ensure the power supply matches the refrigerator's voltage (12V or 24V DC). Disconnect power before performing any maintenance or installation.
- **Ventilation:** Adequate ventilation is crucial for efficient operation and to prevent overheating of the compressor. Do not block air vents.
- **Handling:** The refrigerator is heavy. Use proper lifting techniques or seek assistance during installation to avoid injury.
- **Flammable Materials:** Do not store explosive substances or flammable materials inside the refrigerator.
- **Children:** Keep children away from the refrigerator, especially during installation and maintenance.

## 3. INSTALLATION & SETUP

---

Proper installation is essential for the refrigerator's performance and longevity.

### 3.1 Choosing a Location

- Select a stable, level surface capable of supporting the refrigerator's weight.
- Ensure sufficient clearance around the unit for proper air circulation, especially for the remote compressor.
- Avoid direct sunlight or heat sources, which can reduce efficiency.

### 3.2 Remote Compressor Placement

The remote compressor can be sited up to 1 meter (approximately 3.28 feet) away from the main refrigerator unit. This flexibility allows for optimal space utilization within your vehicle. Ensure the compressor unit is placed in a well-ventilated area to dissipate heat effectively.

### 3.3 Dimensions and Fitting

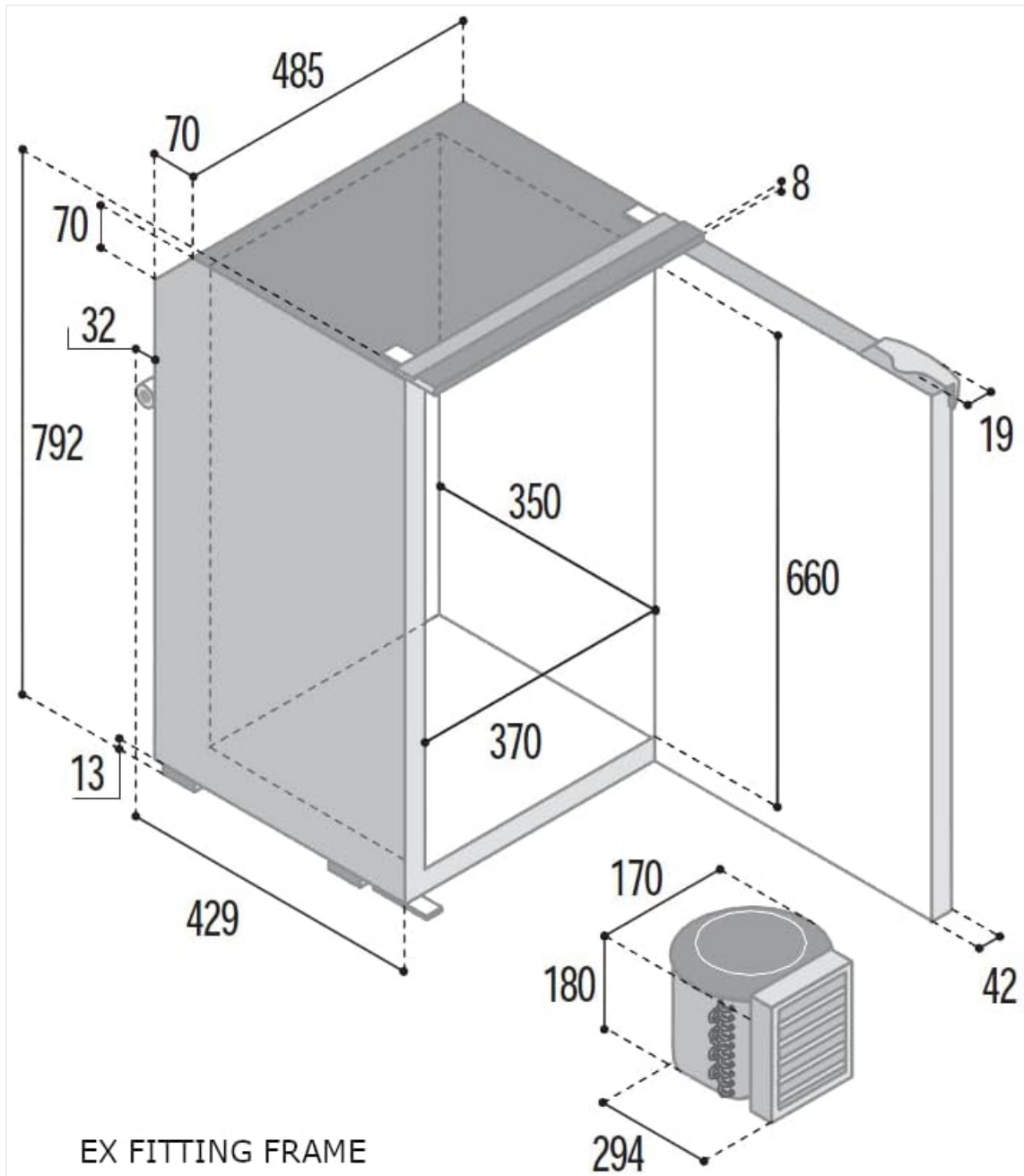


Figure 2: Technical dimensions of the VitriFrigo C95L refrigerator and remote compressor (all measurements in millimeters).

Refer to Figure 2 for detailed dimensions of both the refrigerator unit and the remote compressor. These measurements are crucial for planning your installation space, especially for under-counter or panel van conversions. The shallow depth of 470mm (flush to the front of the door) makes it suitable for tight spaces.

## 3.4 Electrical Connection

- Connect the refrigerator to a stable 12V or 24V DC power source.
- Ensure proper polarity (+ to + and - to -) to avoid damage.
- It is recommended to use appropriate gauge wiring and an inline fuse for protection.

## 4. OPERATION

---

Once installed and connected to power, the refrigerator will begin to cool.

### 4.1 Temperature Control

The refrigerator is equipped with a thermostat to regulate the internal temperature. Locate the thermostat control (typically a dial or digital interface inside the unit) and adjust it to your desired cooling level. Lower settings provide colder temperatures. Allow several hours for the refrigerator to reach its stable operating temperature after initial power-up or adjustment.

### 4.2 Loading the Refrigerator

For optimal performance, avoid overfilling the refrigerator, as this can restrict air circulation and reduce cooling efficiency. Distribute items evenly on shelves.

## 5. MAINTENANCE & CLEANING

---

Regular maintenance ensures efficient operation and extends the life of your refrigerator.

### 5.1 Cleaning the Interior

- Disconnect power before cleaning.
- Use a soft cloth and a mild detergent solution to clean the interior surfaces.
- Rinse with clean water and dry thoroughly. Do not use abrasive cleaners or solvents.
- Clean removable shelves and door bins separately.

### 5.2 Automatic Defrost

The Vitrifrigo C95L features an automatic defrost system, which minimizes ice buildup and reduces the need for manual defrosting. However, if excessive frost accumulates, it may be necessary to temporarily turn off the unit and allow it to defrost completely.

### 5.3 Cleaning the Exterior and Compressor Area

- Wipe the exterior with a soft, damp cloth. The door material is Stainless Steel.
- Periodically clean dust and debris from the remote compressor unit and its ventilation area to ensure optimal cooling performance.

## 6. TROUBLESHOOTING

---

Before contacting service, please check the following common issues:

Problem	Possible Cause	Solution
---------	----------------	----------

Problem	Possible Cause	Solution
Refrigerator not cooling	No power; thermostat set too high; poor ventilation; door not closed properly.	Check power connection and fuse; adjust thermostat to a colder setting; ensure adequate airflow around compressor; check door seal and ensure it closes completely.
Unusual noise	Refrigerator not level; items inside rattling; compressor vibration.	Ensure unit is level; rearrange items to prevent rattling; ensure compressor is securely mounted and has proper clearance.
Excessive frost buildup	Door left open frequently; high humidity; faulty door seal.	Minimize door openings; ensure door closes tightly; inspect and replace door seal if damaged.

## 7. SPECIFICATIONS

Feature	Detail
Model Info	C95L
Item Weight	22 pounds (approx. 10 Kilograms)
Product Dimensions (D x W x H)	16.93 x 19.29 x 31.5 inches (429mm D x 485mm W x 792mm H)
Item Model Number	C95L
Capacity	95 Liters
Freezer Capacity	95 Liters (Note: This model is primarily a refrigerator, the 95L freezer capacity likely refers to the total internal volume if used as a freezer, but it's listed as a refrigerator)
Installation Type	Freestanding
Form Factor	Compact
Special Features	Compact design, Remote Compressor
Defrost System	Automatic
Door Material Type	Stainless Steel
Number Of Doors	1
First Available Date	September 13, 2023

## 8. WARRANTY & SUPPORT

For detailed warranty information, please refer to the warranty card included with your purchase or visit the official Vittrifigo website. For technical support, spare parts, or service inquiries, please contact your authorized Vittrifigo dealer or the manufacturer's customer service department.

