



[Manuals.plus](#) /

› [HD Ridez](#) /

› HD Ridez 6-inch Polished Stainless Steel Running Boards Installation Manual for Dodge Ram 1500 (2002-2008 Regular Cab) & Ram 2500/3500 (2003-2009)

## HD Ridez HDR-IB5769931

# HD Ridez 6-inch Polished Stainless Steel Running Boards User Manual

Model: HDR-IB5769931

## 1. INTRODUCTION

---

Thank you for choosing HD Ridez 6-inch Polished Stainless Steel Running Boards. These running boards are designed to provide a robust and stylish step for your vehicle, enhancing accessibility and appearance. Constructed from durable stainless steel, they offer corrosion resistance and a secure stepping surface. This manual provides essential information for proper installation, operation, and maintenance to ensure long-lasting performance.



Image 1.1: A pair of HD Ridez 6-inch polished stainless steel running boards, showcasing their sleek design and anti-slip treading.

## 2. SAFETY INFORMATION

---

Please read and understand all safety instructions before installation and use. Failure to follow these instructions may result in personal injury or property damage.

- Always wear appropriate personal protective equipment, including safety glasses and gloves, during installation.
- Ensure the vehicle is parked on a level surface with the parking brake engaged.
- Use jack stands to support the vehicle if lifting is required. Never rely solely on a jack.
- Do not overtighten fasteners, as this can strip threads or damage components. Refer to torque specifications if available.
- Regularly inspect the running boards and mounting hardware for any signs of wear, damage, or looseness.
- Keep children and pets away from the work area during installation.



Image 2.1: Visual representation of safety precautions, including a warning barrier and a traffic cone.

### 3. PACKAGE CONTENTS

---

Verify that all components are present and undamaged before beginning installation. If any parts are missing or damaged, contact customer support.

- Pair of Side Steps (Running Boards)
- Mounting Brackets Kit
- Hardware (Bolts, Washers, Nuts, etc.)
- Instruction Manual (This document)



Image 3.1: Illustration showing the two running boards and a representation of the included mounting hardware.

### 4. TOOLS REQUIRED

---

The following tools are typically required for installation:

- Socket Wrench Set
- Open-End Wrench Set
- Torque Wrench (recommended for proper fastener tightening)

- Drill and Drill Bits (if pre-drilled holes are not present or need modification)
- Measuring Tape
- Marker or Pencil
- Safety Glasses
- Gloves

## 5. COMPATIBILITY

---

These HD Ridez 6-inch Polished Stainless Steel Running Boards are specifically designed for the following vehicle models:

- **Dodge Ram 1500:** 2002-2008 Regular Cab (2 Full-Size Doors Only)
- **Dodge Ram 2500/3500:** 2003-2009 (Excludes Daytona, Rumble Bee, and SRT-10 Models)

It is crucial to verify your vehicle's cab configuration before installation. These running boards are not compatible with Quad Cab (2 Full-Size Doors and 2 Narrower Rear Doors) or Mega Cab (4 Full-Size Doors with Extra Space) models.



THIS PRODUCT IS DESIGNED TO FIT THE MODEL HIGHLIGHTED IN GREEN

Regular Cab (2 Full-Size Doors Only)



Quad Cab  
(2 Full-Size Doors and 2 Narrower Rear Doors )



Mega Cab  
(4 Full-Size Doors with Extra Space)



Image 5.1: Diagram illustrating compatible (Regular Cab) and incompatible (Quad Cab, Mega Cab) Dodge Ram truck configurations.

## 6. INSTALLATION INSTRUCTIONS (SETUP)

Installation is a straightforward bolt-on process. However, professional installation is recommended if you are unfamiliar with vehicle modifications.

### Pre-Installation Steps:

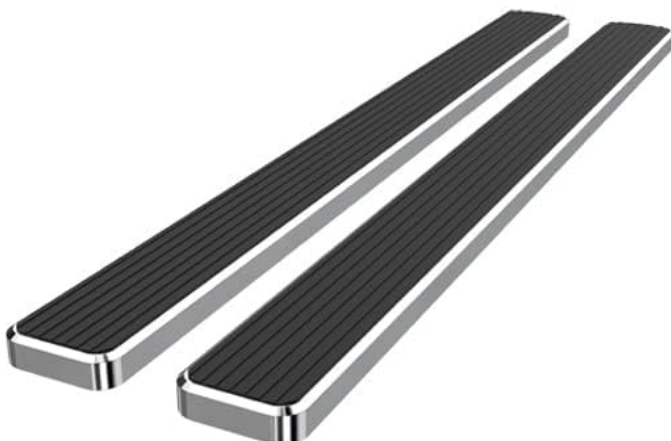
1. **Inspect Components:** Unpack all components and compare them against the package contents list. Ensure there are no missing or damaged parts.
2. **Clean Mounting Area:** Clean any dirt or debris from the vehicle's frame and rocker panel areas where the running

boards will be mounted.

3. **Identify Mounting Points:** Locate the factory mounting holes on your vehicle's frame or rocker panel. These are typically pre-drilled.

### Installation Steps:

1. **Attach Brackets to Vehicle:** Secure the mounting brackets to the identified factory mounting points on the vehicle's frame using the provided hardware. Hand-tighten all bolts initially.
2. **Position Running Board:** Carefully lift one running board and align it with the installed mounting brackets.
3. **Attach Running Board to Brackets:** Attach the running board to the brackets using the remaining hardware. Ensure proper alignment and spacing. Hand-tighten all bolts.
4. **Adjust and Align:** Adjust the running board for optimal position and levelness. Ensure it is parallel to the vehicle and provides adequate clearance.
5. **Tighten All Hardware:** Once satisfied with the alignment, progressively tighten all mounting hardware to the manufacturer's recommended torque specifications. Start from the center and work outwards.
6. **Repeat for Other Side:** Repeat the entire process for the running board on the opposite side of the vehicle.
7. **Final Inspection:** After installation, double-check all fasteners to ensure they are securely tightened. Test the stability of the running boards by applying weight.



**6"**  
**Wide**

Image 6.1: A white Dodge Ram truck with HD Ridez 6-inch running boards installed, demonstrating the product's appearance on a vehicle.

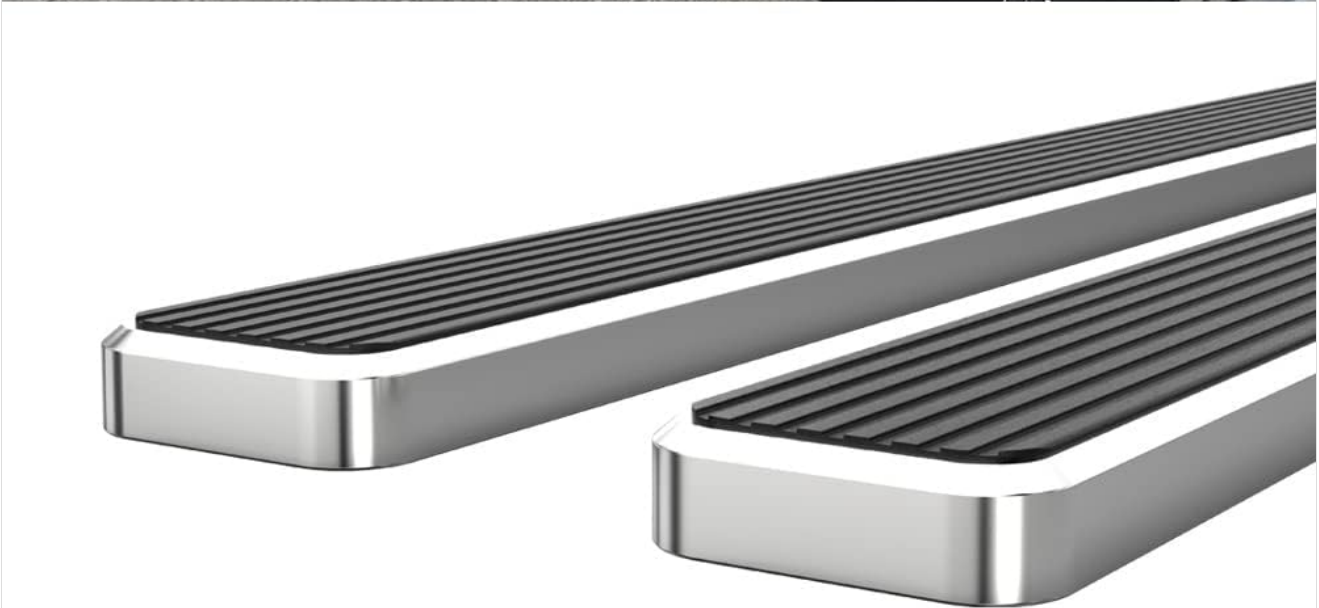
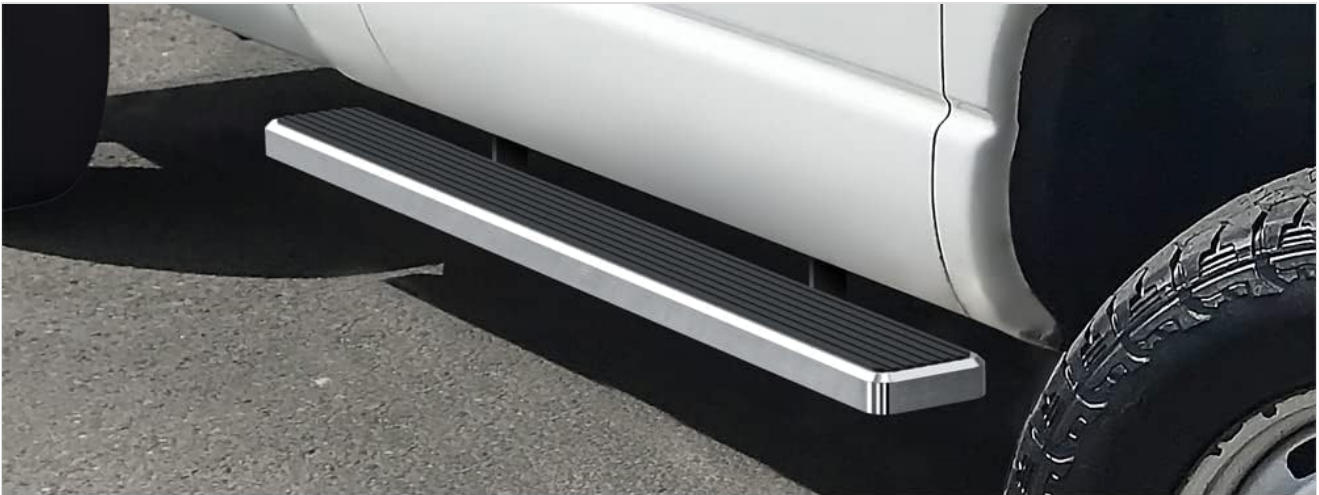


Image 6.2: A close-up view of the HD Ridez running board installed on a truck, highlighting its integration with the vehicle's side.

## 7. OPERATION (USAGE)

The HD Ridez running boards are designed to provide a stable and secure step for entering and exiting your vehicle.

- **Stepping Surface:** The entire 6-inch width of the running board features an anti-slip treading surface for secure footing in various weather conditions.
- **Weight Capacity:** Each running board is designed to support up to 500 lbs. Do not exceed this weight limit.
- **Safe Use:** Always step onto the running board with caution, ensuring your foot is fully placed on the anti-slip surface before applying full weight.



Image 7.1: Icons indicating key features: water resistance, high weight capacity, UV resistance, and anti-slip surface.

## 8. MAINTENANCE

---

Proper maintenance will extend the life and preserve the appearance of your running boards.

- **Regular Cleaning:** Clean the running boards regularly with mild soap and water. Avoid abrasive cleaners or harsh chemicals that could damage the polished finish or anti-slip surface.
- **Rinse Thoroughly:** After cleaning, rinse the running boards thoroughly with clean water to remove any soap residue.
- **Periodic Inspection:** Periodically inspect all mounting hardware for tightness. Re-tighten any loose bolts to prevent rattling or instability.
- **Check for Damage:** Inspect the running boards for any signs of damage, such as dents, cracks, or excessive wear on the anti-slip surface. Replace if severely damaged.

## 9. TROUBLESHOOTING

---

This section addresses common issues you might encounter.

- **Running Boards are Loose/Rattling:**
  - Check all mounting bolts and nuts. Tighten any that are loose.
  - Ensure brackets are securely attached to the vehicle frame.
- **Difficulty Aligning Running Boards:**
  - Loosen all hardware slightly to allow for adjustment.
  - Adjust the position until level and properly aligned, then re-tighten.
- **Running Boards Appear Uneven:**
  - Verify that the vehicle is parked on a level surface.
  - Re-check the installation steps, ensuring brackets are installed correctly and the running boards are adjusted evenly.

## 10. SPECIFICATIONS

---

Feature	Specification
Brand	HD Ridez
Model Number	HDR-IB5769931
Material	304 Stainless Steel
Exterior Finish	Polished Finish
Item Dimensions (L x W x H)	55 x 6 x 1.5 inches
Running Board Width	6 inches
Item Weight	50.1 pounds (pair)

Weight Limit	500 Pounds
Vehicle Service Type	Truck
Automotive Fit Type	Vehicle Specific Fit (Dodge Ram 1500 2002-2008 Regular Cab; Ram 2500/3500 2003-2009)



Image 10.1: Diagram showing the 6-inch width and other dimensions of the running board, highlighting its contemporary and seamless design.

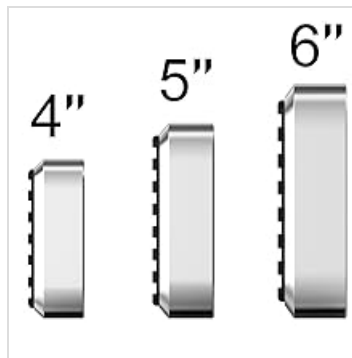


Image 10.2: Visual comparison of different running board widths, including the 6-inch width of this product.

## 11. WARRANTY AND SUPPORT

---

HD Ridez stands behind the quality of its products.

- **Warranty:** This product is backed by a 5-Year Warranty. This warranty covers manufacturing defects and material flaws under normal use. Please retain your proof of purchase for warranty claims.
- **Customer Support:** For technical assistance, warranty claims, or any questions regarding your HD Ridez running boards, please contact HD Ridez customer service through their official website or the retailer where the product was purchased.