

## vidaXL B0CHTPH7WC

# vidaXL Dark Gray Microfiber Footstool Instruction Manual

Brand: vidaXL | Model: B0CHTPH7WC

## 1. INTRODUCTION

Thank you for choosing the vidaXL Dark Gray Microfiber Footstool. This manual provides essential information for the safe assembly, proper use, and effective maintenance of your new footstool. Please read these instructions carefully before use and retain them for future reference.

## 2. SAFETY INFORMATION

**WARNING: This product can expose you to chemicals including wood dust, which is known to the State of California to cause cancer. For more information, go to [www.P65Warnings.ca.gov](http://www.P65Warnings.ca.gov).**

Always ensure the footstool is placed on a stable, level surface. Do not stand on the footstool. Keep away from open flames and excessive heat sources. Regularly check all components for tightness and wear.

## 3. PRODUCT OVERVIEW

The vidaXL Dark Gray Microfiber Footstool is designed for comfort and versatility, featuring a sturdy plywood frame and upholstered in durable 100% polyester microfiber fabric. Its compact design allows it to blend seamlessly into various interior decors.



Image 1: The vidaXL Dark Gray Microfiber Footstool, showcasing its compact and modern design.

## 4. ASSEMBLY INSTRUCTIONS

Your footstool requires minimal assembly, primarily attaching the legs to the main body. Please follow these steps:

1. Carefully unpack all components and ensure all parts are present. You should have the footstool body and four legs.
2. Turn the footstool body upside down on a soft, clean surface to prevent damage to the fabric.
3. Locate the pre-drilled holes on the underside of the footstool where the legs are to be attached.
4. Align each leg with a pre-drilled hole and screw it in clockwise until securely tightened. Do not overtighten.
5. Once all four legs are attached, carefully turn the footstool upright.



Image 2: Underside view of the footstool, indicating the areas for leg attachment.

## 5. USAGE GUIDELINES

This footstool is designed for versatile use within your home:

- **Added Seating:** Provides an extra seat for guests in your living room, bedroom, or lounge area.
- **Footrest:** Offers a comfortable spot to rest your feet, enhancing relaxation.
- **Temporary Surface:** Can serve as a temporary surface for lightweight items like books or magazines.

Avoid placing heavy or sharp objects on the footstool to prevent damage to the fabric or frame. Do not use as a step stool for reaching high places.

## 6. CARE AND MAINTENANCE

To ensure the longevity and appearance of your microfiber footstool, follow these care instructions:

- **Cleaning:** The microfiber fabric is durable and resistant to stains. For general cleaning, use a soft brush or

vacuum with an upholstery attachment to remove dust and debris.

- **Spot Cleaning:** For spills, blot immediately with a clean, dry cloth. Avoid rubbing, which can spread the stain.
- **Deep Cleaning:** The manufacturer recommends **Dry Clean Only** for thorough cleaning. Do not machine wash or tumble dry.
- **Protection:** Keep the footstool away from direct sunlight to prevent fading.



Breathable Fabric



High Density Foam



Resilient

Image 3: Close-up view of the microfiber fabric, highlighting its texture and the foam's resilience.

## 7. SPECIFICATIONS

Feature	Detail
Product Dimensions (D x W x H)	23.6"D x 23.6"W x 16.1"H (60 cm D x 60 cm W x 41 cm H)
Color	Dark Gray
Material	Microfiber Fabric (100% Polyester)

Feature	Detail
Frame Material	Plywood
Filling Material	Foam
Special Feature	Stain Resistant
Item Weight	5.5 Kilograms
Care Instructions	Dry Clean Only

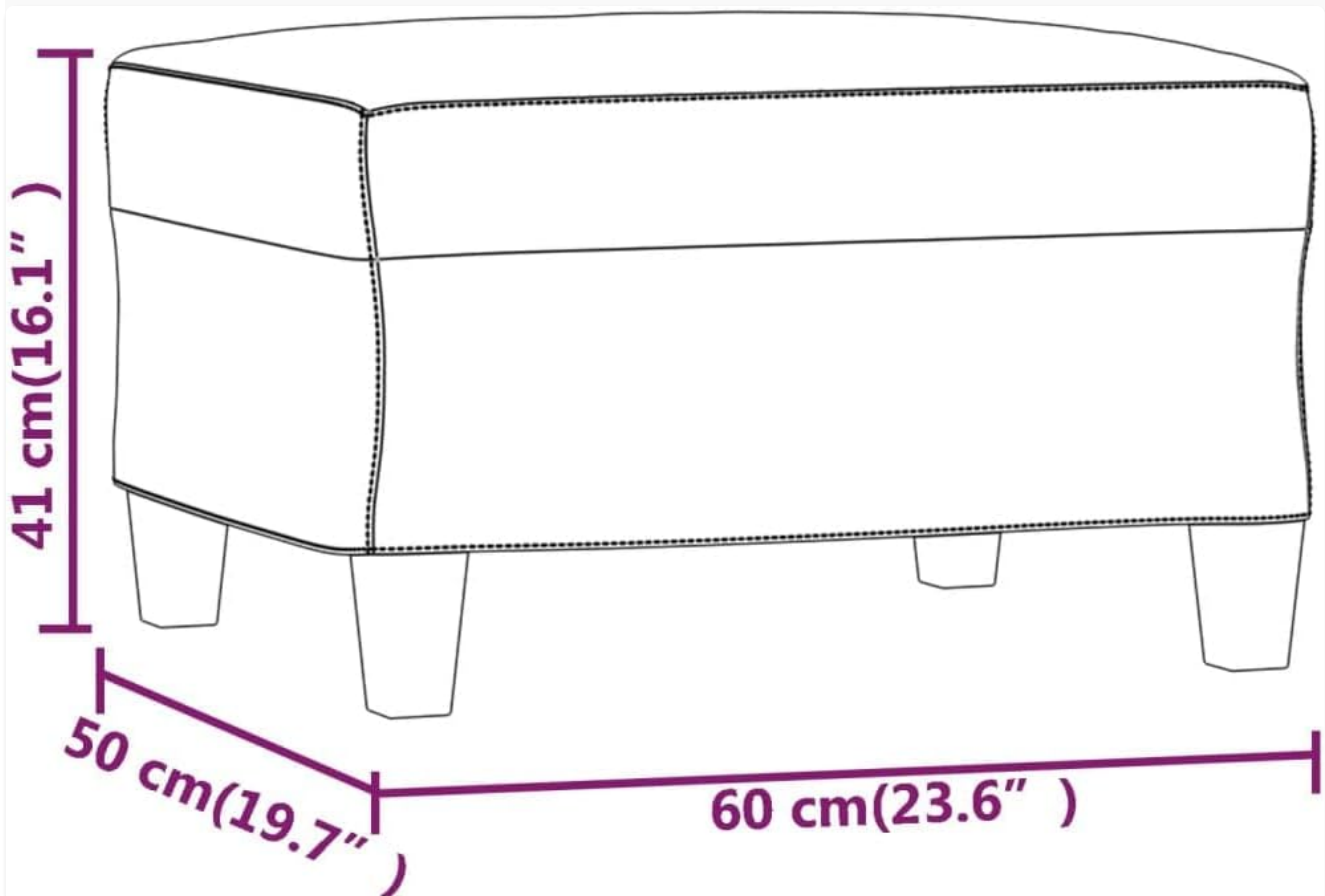


Image 4: Dimensional diagram of the footstool, showing its length, width, and height.

## 8. TROUBLESHOOTING

If you encounter any issues with your footstool, please consider the following:

- **Wobbly Legs:** Ensure all legs are securely tightened. If the issue persists, check if the floor surface is even.
- **Stains:** Refer to the 'Care and Maintenance' section for appropriate cleaning methods. Avoid harsh chemicals.
- **Damage:** If any part of the footstool is damaged, discontinue use and contact customer support.

## 9. CONTACT AND SUPPORT

For further assistance, questions, or to report any issues, please contact vidaXL customer support through the retailer where you purchased the product or visit the official vidaXL website for contact information.

**Website:** [www.vidaxl.com](http://www.vidaxl.com)

