

## Manuals+

[Q & A](#) | [Deep Search](#) | [Upload](#)

manuals.plus /

- › [Bosch](#) /
- › [Bosch SPV4EMX24E 45 cm Integrated Dishwasher User Manual](#)

## Bosch SPV4EMX24E

# Bosch SPV4EMX24E 45 cm Integrated Dishwasher User Manual

Model: **SPV4EMX24E** | Brand: **Bosch**

## 1. INTRODUCTION

---

This manual provides essential information for the safe and efficient operation, installation, and maintenance of your Bosch SPV4EMX24E 45 cm integrated dishwasher. Please read these instructions carefully before using the appliance for the first time and keep them for future reference.

The Bosch SPV4EMX24E dishwasher is designed for seamless integration into your kitchen cabinetry. It features a 10 place setting capacity and offers various programs and functions to ensure optimal cleaning and drying results while being energy efficient and quiet.



Image 1.1: Front view of the Bosch SPV4EMX24E integrated dishwasher. The control panel is visible at the top, featuring various program selection buttons and a digital display. The door is slightly open, revealing the interior racks.

## 2. SAFETY INFORMATION

---

Always follow basic safety precautions when using electrical appliances to reduce the risk of fire, electric shock, and injury to persons.

- Read all instructions before using the dishwasher.
- This appliance must be earthed. Connect only to a properly earthed outlet.
- Do not operate the dishwasher if it has a damaged power cord or plug, or if it is not working properly.
- Keep children away from detergents and the open dishwasher door.
- Only use detergents and rinse aids specifically designed for dishwashers.

### 3. SETUP AND INSTALLATION

The Bosch SPV4EMX24E is an integrated dishwasher designed to be built into kitchen cabinetry. Proper installation is crucial for optimal performance and safety.

#### 3.1 Dimensions and Placement

Ensure that the installation space meets the required dimensions for the appliance. The dishwasher measures 55 x 44.8 x 81.5 cm (Depth x Width x Height) and weighs 30.7 kg. Refer to the installation diagram for detailed measurements.

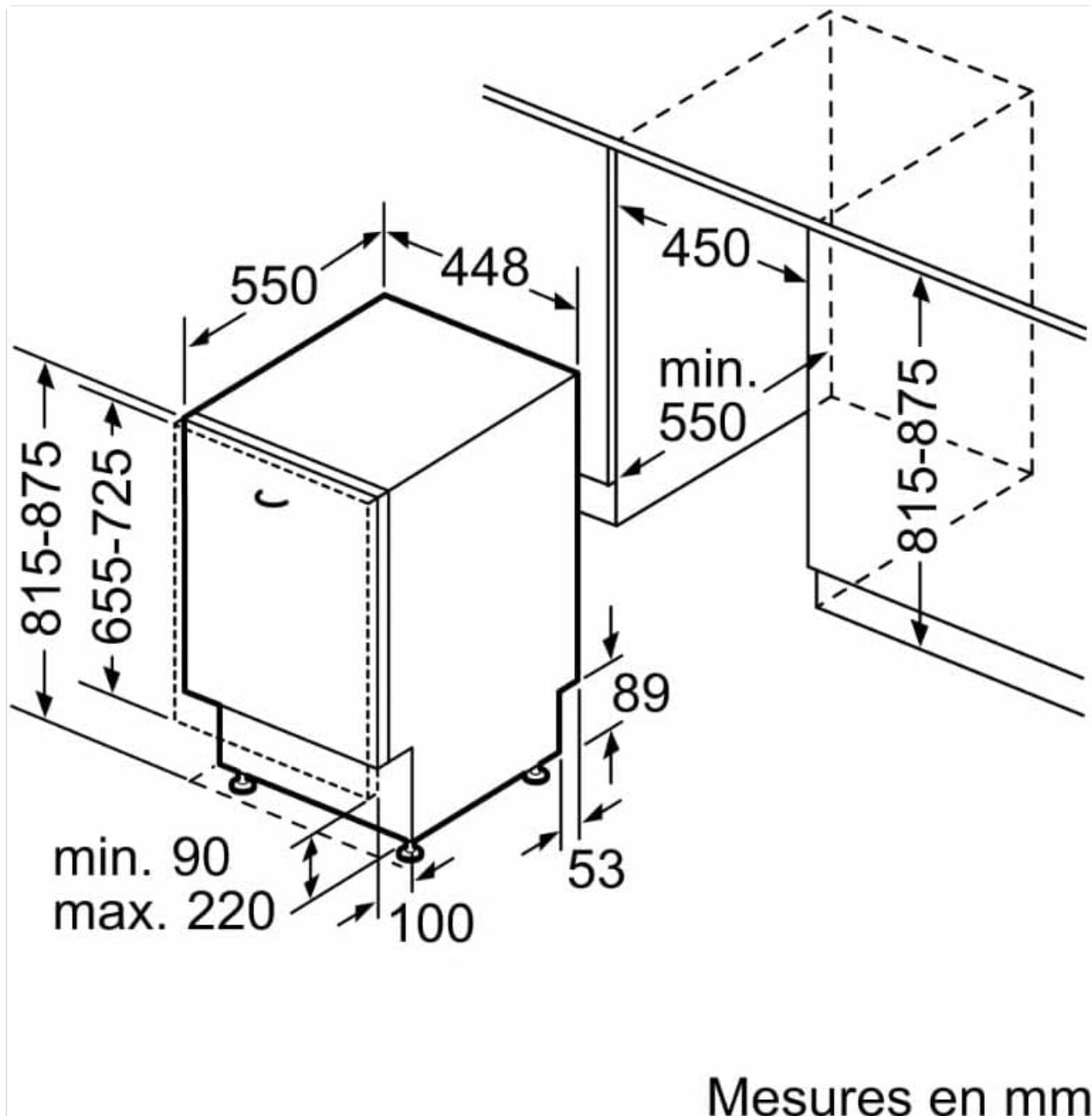


Image 3.1: Installation diagram detailing the dimensions of the Bosch SPV4EMX24E dishwasher. Measurements are provided in millimeters for height (815-875 mm), width (448 mm), and depth (550 mm), along with minimum and maximum plinth heights.

## 3.2 Electrical and Water Connections

Connect the dishwasher to a grounded electrical outlet (240 Volts). Ensure water inlet and drain hoses are properly connected according to local plumbing codes. It is recommended to have installation performed by a qualified technician.

## 4. OPERATING INSTRUCTIONS

---

Familiarize yourself with the control panel and various functions to achieve the best cleaning results.

### 4.1 Loading the Dishwasher

Proper loading ensures effective cleaning and drying. The dishwasher has a capacity for 10 place settings.



Image 4.1: Interior view of the dishwasher with both the upper and lower racks extended. The design of the racks, including the adjustable elements, is visible.

#### Lower Rack

Place larger items such as plates, serving dishes, and pots in the lower rack. Ensure items do not block the spray arms.



Image 4.2: A detailed view of the lower rack, showing how plates and wine glasses can be arranged for washing. The tines are designed to hold various dish sizes securely.

### **Upper Rack (Rackmatic System)**

The upper rack is suitable for smaller plates, bowls, cups, and glasses. The **Rackmatic system** allows you to adjust the height of the upper basket by up to 5 centimeters in 3 different positions, even when fully loaded. This provides flexibility for taller items in either the upper or lower rack.

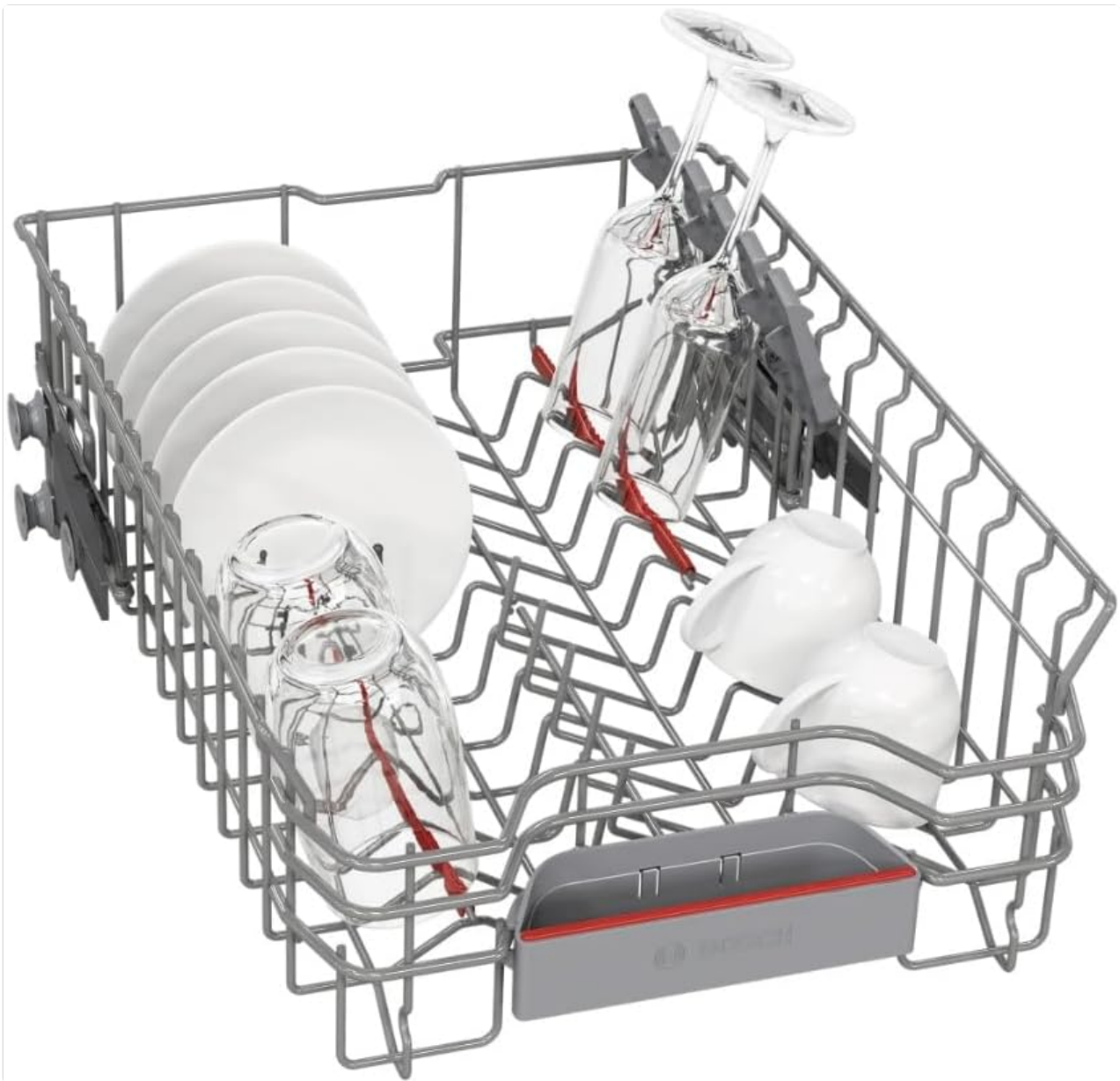


Image 4.3: A close-up of the upper rack, demonstrating its capacity for glasses and small cups. The red adjustable elements of the Rackmatic system are visible.

### **Cutlery Drawer**

The dishwasher includes a dedicated cutlery drawer for forks, knives, and spoons, ensuring thorough cleaning and preventing scratching.

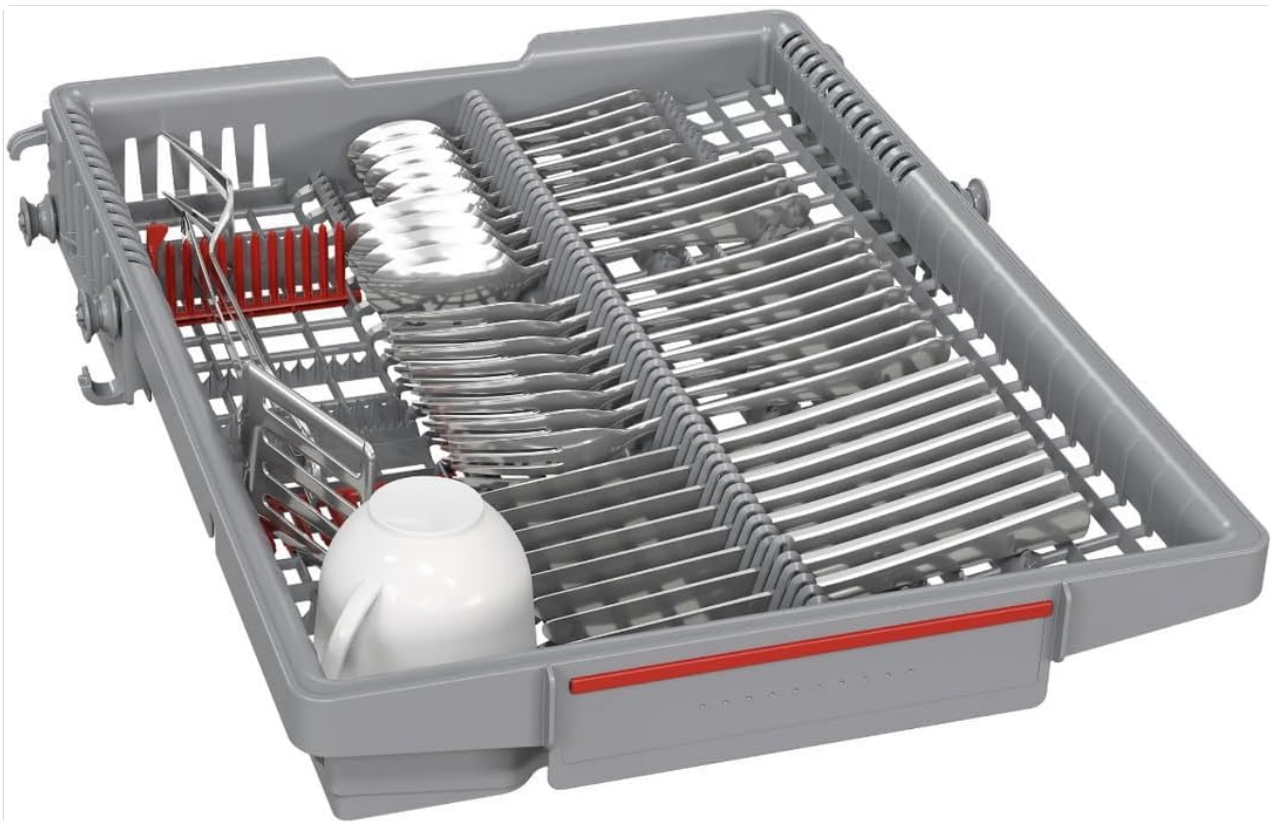


Image 4.4: Top-down view of the dedicated cutlery drawer, showing individual slots for knives, forks, and spoons, along with space for smaller items like espresso cups.

## 4.2 Programs and Options

Select the appropriate program based on the type and soil level of your dishes. The dishwasher offers 6 programs and several options:

- **Eco 50°C:** Energy-saving program for normally soiled dishes.
- **Auto 45-65°C:** Automatically adjusts temperature and water usage based on soil level detected by AquaSensor.
- **Intensive 70°C:** For heavily soiled pots, pans, and dishes.
- **Program 1 hour 65°C:** A quick program for normally soiled dishes.
- **Silence 50°C:** Operates at a reduced noise level (44 dB) for quiet washing.
- **Favorite (Pre-rinse):** Customizable program, pre-set to pre-rinse.

### Special Features:

- **AquaSensor:** Detects the degree of soiling and adjusts water consumption accordingly.
- **Super Gloss:** Helps maintain the shine of glasses.
- **Auto 3-in-1:** Automatically detects the type of detergent (tablet, powder, liquid) and adjusts the wash cycle.
- **MaxiPerformance Product Box:** Ensures optimal dissolution of detergent.
- **Efficient Dry:** Improved drying performance through automatic door opening at the end of the cycle.
- **Delayed Start:** Allows you to set the dishwasher to start at a later time.
- **Home Connect:** Intelligent connectivity for easier daily life, allowing remote control and monitoring via a smart device.

## 4.3 InfoLight

The dishwasher projects a red light onto the floor during operation to indicate that it is running. This is particularly useful for fully integrated models where the control panel is not visible.



Image 4.5: The InfoLight feature, showing a red light beam projected onto the floor from beneath the dishwasher, signaling that a wash cycle is in progress.

## 5. MAINTENANCE

Regular maintenance ensures the longevity and optimal performance of your dishwasher.

- **Cleaning the Filters:** Regularly check and clean the filter system at the bottom of the wash tub to prevent blockages and ensure efficient cleaning.
- **Cleaning the Spray Arms:** Ensure the spray arm nozzles are not clogged. Remove any debris with a thin object.
- **Adding Salt and Rinse Aid:** Monitor the indicator lights for dishwasher salt and rinse aid and refill as necessary.
- **Cleaning the Interior:** Wipe down the interior and door seal with a damp cloth periodically.

## 6. TROUBLESHOOTING

Before contacting customer service, refer to the following common issues and their solutions:

Problem	Possible Cause	Solution
Dishes are not clean	Improper loading, clogged spray arms, insufficient detergent, clogged filters.	Reload dishes correctly, clean spray arms and filters, use adequate detergent.
Water remains in the tub	Clogged drain hose or filter, drain pump malfunction.	Clean filters, check drain hose for kinks, consult a technician if pump is faulty.
Dishwasher does not start	Door not closed properly, power supply issue, program not selected.	Ensure door is latched, check power connection, select a program and press start.

Problem	Possible Cause	Solution
Unpleasant odors	Food residue in filters or drain, infrequent cleaning.	Clean filters and interior thoroughly, run a hot cycle with a dishwasher cleaner.

## 7. SPECIFICATIONS

---

Key technical specifications for the Bosch SPV4EMX24E dishwasher:

**Model Number:** SPV4EMX24E

**Brand:** Bosch

**Type:** Fully Integrated Dishwasher

**Capacity:** 10 Place Settings

**Dimensions (D x W x H):** 55 x 44.8 x 81.5 cm

**Weight:** 30.7 kg

**Energy Efficiency Class:** C

**Noise Level:** 44 dB

**Water Consumption (Eco program):** 8.9 Liters

**Voltage:** 240 Volts

**Programs:** Eco, Auto, Intensive, 1 Hour, Silence, Favorite (Pre-rinse)

**Interior Material:** Stainless Steel

**Special Features:** Rackmatic, AquaSensor, Efficient Dry, Home Connect, InfoLight

**Included Components:** Cutlery basket

## 8. WARRANTY AND SUPPORT

---

For warranty information and customer support, please refer to the documentation provided with your appliance at the time of purchase or visit the official Bosch website for your region. Keep your proof of purchase for warranty claims.

If you encounter issues that cannot be resolved using the troubleshooting guide, please contact Bosch customer service or an authorized service technician.