

[Manuals.plus](#) /

> [GAZHOME](#) /

> GAZHOME 20 Gallon Double Tilt Out Trash Cabinet with Charging Station User Manual

## GAZHOME trash cabinet

# GAZHOME 20 Gallon Double Tilt Out Trash Cabinet with Charging Station User Manual

Brand: GAZHOME

## INTRODUCTION

---

Thank you for choosing the GAZHOME 20 Gallon Double Tilt Out Trash Cabinet with Charging Station. This manual provides essential information for the proper assembly, operation, maintenance, and troubleshooting of your new cabinet. Please read it thoroughly before use to ensure safe and efficient functionality.

## SAFETY INFORMATION

---

For your safety and to prevent damage to the product, please adhere to the following guidelines:

- Always follow installation instructions carefully.
- Be cautious when handling electrical components.
- Do not overload the charging station.
- Ensure the cabinet is placed on a stable, level surface to prevent tipping.
- Keep children and pets away from the tilt-out mechanism during operation.
- Do not use abrasive cleaners or harsh chemicals on the cabinet surfaces.

## PRODUCT OVERVIEW

---

The GAZHOME Double Tilt Out Trash Cabinet is designed to provide a discreet and functional solution for waste management and additional storage in your home. It features two tilt-out compartments for trash or recycling bins, two hideaway drawers for essentials, and an integrated charging station with AC outlets and USB ports.



Figure 1: Front view of the GAZHOME Double Tilt Out Trash Cabinet.

## SPECIFICATIONS

Feature	Detail
Brand	GAZHOME
Color	Black
Product Dimensions	13.2"D x 39.5"W x 36"H
Material	Wood (Frame), Stainless Steel (Top, Handle), MDF Board
Storage Volume	20 Gallons (total)
Item Weight	60 Pounds

Charging Station	AC Outlet (12V/12A), 2 USB Ports (5V/2A)
Power Cord Length	4.9-Foot
Assembly Required	Yes
Model Number	trash cabinet
UPC	768534125834

## PRODUCT SIZE

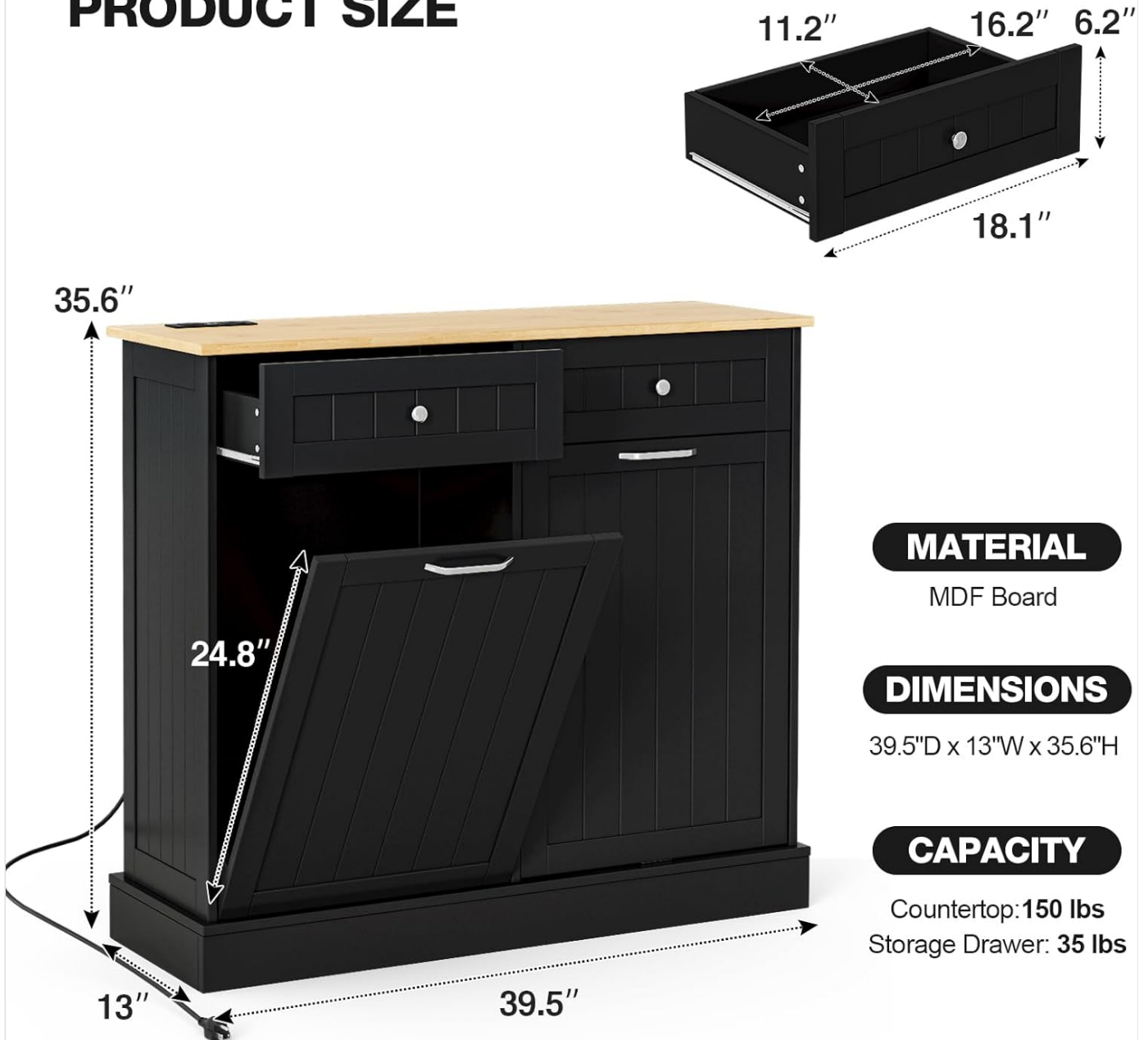


Figure 2: Product dimensions and material details.

## SETUP AND ASSEMBLY

The GAZHOME Double Tilt Out Trash Cabinet requires assembly. All necessary installation instructions and tools are included with your purchase. Please follow the step-by-step guide provided in the packaging for a smooth assembly process.

- Unpack all components and verify against the parts list.
- Ensure you have adequate space for assembly.

- Follow the numbered steps in the provided instruction manual.
- Tighten all fasteners securely, but do not overtighten.

## OPERATING INSTRUCTIONS

---

### Tilt-Out Trash Compartments

The cabinet features two tilt-out compartments designed to discreetly hold your trash or recycling bins. Simply pull the handle on the front panel to tilt the compartment forward, allowing easy access to insert or remove bins.



Figure 3: Opening the tilt-out cabinet door for trash disposal.

# GIVE YOU A CLEAN AND TIDY SPACE



Figure 4: The cabinet helps maintain a clean and tidy space by concealing waste.

## Storage Drawers

Two built-in drawers are located above the tilt-out compartments, providing additional storage for items such as trash bags, cleaning supplies, or kitchen essentials. Pull the knob to open the drawer and push to close.

## BUILT-IN DRAWER OFFERS ADDITIONAL STORAGE

For items like trash bags, cleaning supplies, or kitchen essentials



Figure 5: Built-in drawer offers additional storage.

### Integrated Charging Station

The countertop features an embedded power strip with AC outlets and USB ports. This allows for convenient charging of electronic devices or powering small appliances directly on the cabinet surface.

- Plug the cabinet's power cord into a standard wall outlet.
- Use the AC outlets for standard plugs (12V/12A).
- Use the USB ports for charging compatible devices (5V/2A).
- Do not exceed the maximum electrical load for the charging station.



Figure 6: Embedded power strip with AC outlets and USB ports.

Your browser does not support the video tag.

Video 1: Demonstration of the double tilt-out trash cabinet with charging station features, including drawer usage and trash bin access.

## MAINTENANCE AND CARE

- **Cleaning:** The cabinet surfaces are easy to care for. Wipe with a damp cloth daily to remove dust and spills. Avoid using harsh chemicals or abrasive cleaners, which can damage the finish.
- **Hardware:** Periodically check all screws and fasteners to ensure they are tight. Retighten if necessary to maintain stability.
- **Charging Station:** Keep the charging station free of dust and debris. Do not spill liquids onto the outlets or USB ports.

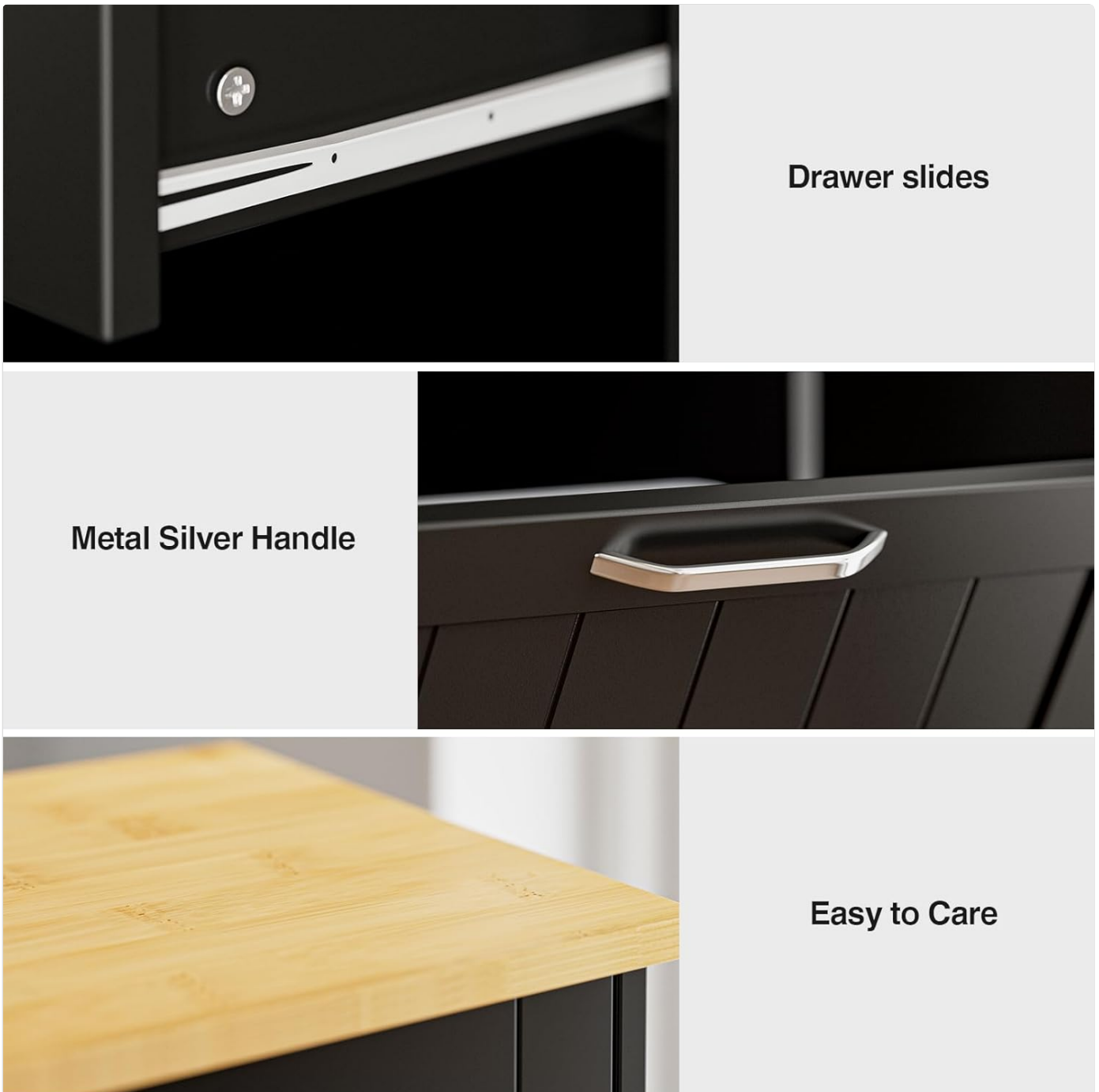


Figure 7: Details of drawer slides, metal handle, and easy-to-care countertop.

## TROUBLESHOOTING

Problem	Possible Cause	Solution
Cabinet feels wobbly or unstable.	Loose fasteners or uneven placement.	Check and tighten all screws. Ensure the cabinet is on a level surface.
Tilt-out door does not open/close smoothly.	Obstruction or misaligned hinges.	Remove any obstructions. Check hinge alignment and lubricate if necessary.
Charging station not working.	Not plugged in, power outage, or overloaded circuit.	Ensure the cabinet's power cord is securely plugged into a working outlet. Check your home's circuit breaker. Do not exceed the charging station's capacity.

Drawers are stiff or difficult to open.	Debris in slides or misaligned drawer.	Clean drawer slides. Ensure the drawer is properly seated on its tracks.
---	--	--

## WARRANTY AND SUPPORT

---

GAZHOME products are manufactured with quality and durability in mind. For information regarding warranty coverage, replacement parts, or technical support, please refer to the contact information provided with your purchase or visit the official GAZHOME website. Please have your model number and UPC ready when contacting support.

**Model Number:** trash cabinet

**UPC:** 768534125834