

[Manuals.plus](#) /

> [VIVO](#) /

> VIVO Electric Standing Desk 1B Series, 60x30 Inch, Black Top Black Frame (Model: DESK-KIT-1B6B-30)

VIVO DESK-KIT-1B6B-30

VIVO Electric Standing Desk 1B Series

Model: DESK-KIT-1B6B-30 | Brand: VIVO

INTRODUCTION

This manual provides detailed instructions for the assembly, operation, and maintenance of your VIVO Electric Standing Desk 1B Series. Please read this manual thoroughly before beginning assembly or operation to ensure safe and correct usage. This desk is designed to provide a versatile workstation, allowing seamless transitions between sitting and standing positions.

SAFETY INFORMATION

- **Weight Capacity:** Do not exceed the maximum weight capacity of **176 lbs (80 kg)**. Overloading the desk can cause damage and potential injury.
- **Pinch Points:** Keep hands and fingers clear of moving parts, especially during height adjustments, to prevent pinching or injury.
- **Cable Management:** Ensure all cables are properly managed and have sufficient slack to accommodate the full range of desk motion. Improper cable management can lead to equipment damage or tripping hazards.
- **Level Surface:** Always operate the desk on a level surface to maintain stability.
- **Children and Pets:** Keep children and pets away from the desk during operation to prevent accidents.
- **Power Source:** Connect the desk only to a grounded power outlet. Do not use extension cords or adapters that are not rated for the desk's power requirements.
- **Liquid Exposure:** Avoid spilling liquids on the control panel or motor components.

PACKAGE CONTENTS

The VIVO Electric Standing Desk 1B Series is shipped in two separate boxes. Please ensure all components are

present before beginning assembly.

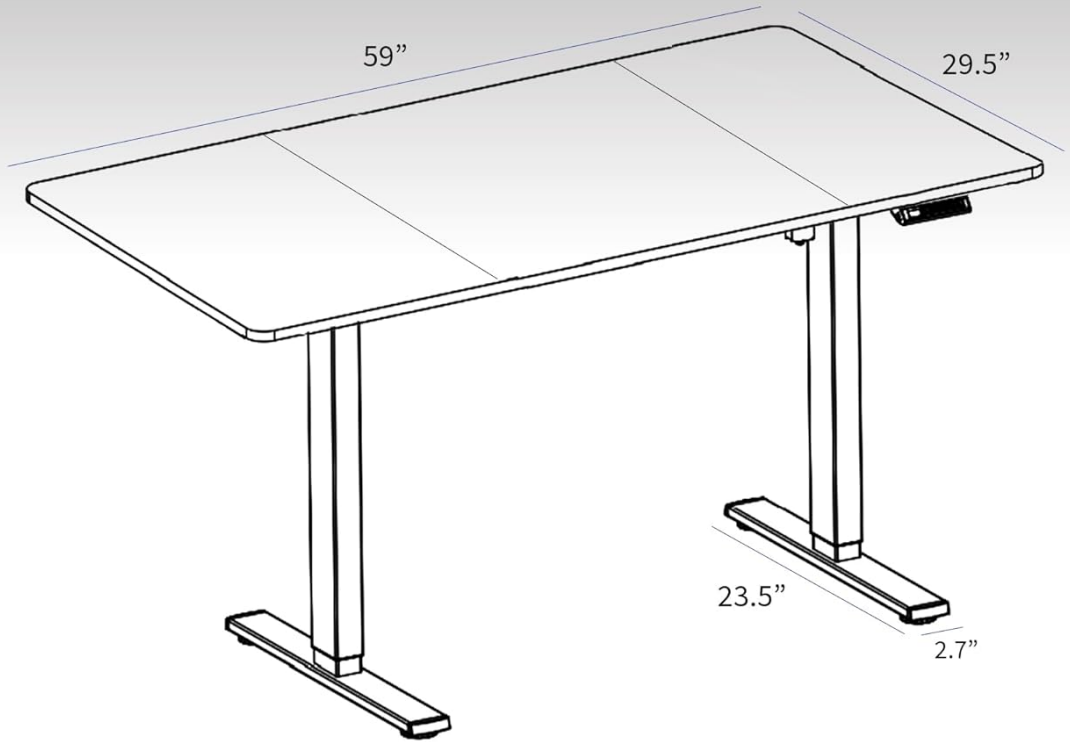
- Black Electric Single Motor Desk Frame
- Black 60" x 30" Table Top (3-piece design)
- Control Panel with Memory Presets
- All necessary assembly tools and hardware

ASSEMBLY INSTRUCTIONS

Assembly typically requires two individuals due to the weight and size of the components. Follow the included graphical instructions for detailed steps. A cordless drill with low speed and torque adjustment can assist with screw installation.

1. **Unpack Components:** Carefully unpack all parts from both boxes. Verify against the parts list.
2. **Assemble Desk Frame:** Assemble the desk frame according to the provided diagrams. Ensure the drive rod is correctly aligned and secured.
3. **Attach Tabletop Panels:** The 60x30 inch tabletop consists of three panels. Align and secure these panels using the provided joining hardware.
4. **Mount Tabletop to Frame:** With the tabletop upside down on a soft, clean surface, carefully position the assembled frame onto the tabletop. Secure the frame to the tabletop using the designated screws.
5. **Install Control Panel:** Attach the control panel to the underside of the desk in an easily accessible location. Connect the necessary cables to the motor and power supply.
6. **Leveling Feet:** Install the leveling feet at the bottom of each desk leg. Adjust them to ensure the desk is stable and level on your floor.
7. **Cable Management:** Utilize the included cable management accessories to organize and secure all power and data cables, ensuring they do not interfere with the desk's movement.

Height Range
29.2" - 48.4"



Ships in 2 Boxes

PLEASE NOTE:
May arrive 1 to 2 days apart



Image: Desk dimensions and shipping information. The desk arrives in two separate packages.



Image: Visual guide for assembling the three-panel desktop.



Image: The desk frame's underside, highlighting the motor and drive rod mechanism.



Image: Adjusting the leveling foot to ensure desk stability.

OPERATING INSTRUCTIONS

The VIVO Electric Standing Desk features an intuitive control panel for easy height adjustment and memory presets.

Control Panel Functions:

- **Up/Down Arrows (▲ / ▼):** Press and hold to manually adjust the desk height. Release to stop at the desired position.
- **Memory Presets (1, 2, 3, 4):** These buttons allow you to save and recall your preferred sitting and standing heights.

Setting Memory Presets:

1. Adjust the desk to your desired height using the Up/Down arrows.
2. Press the 'M' or 'Set' button (if available, otherwise proceed to step 3).
3. Press the desired number button (1, 2, 3, or 4) until you hear a beep or see a confirmation on the LED display. The height is now saved to that preset.

Recalling Memory Presets:

Simply press the corresponding number button (1, 2, 3, or 4) to automatically move the desk to your saved height.

Control Panel



4 MEMORY PRESETS

SIT TO STAND



Image: The control panel, showing the LED display and buttons for manual adjustment and memory presets.

Convenient Sit to Stand Heights

Height Range 29.2" - 48.4"



Image: The desk's adjustable height range, suitable for both sitting and standing positions.

MAINTENANCE

- **Cleaning:** Wipe the desk surface and frame with a soft, damp cloth. Avoid abrasive cleaners or harsh chemicals that could damage the finish.
- **Regular Checks:** Periodically check all screws and bolts to ensure they are tight. Retighten if necessary.
- **Motor Care:** The electric motor is designed for durability. Avoid obstructing its movement or placing excessive strain on the lifting mechanism.
- **Desktop Care:** The particle board desktop is scratch-resistant but can be marked with excessive force or sharp objects. Consider using a desk mat for added protection in high-use areas.

TROUBLESHOOTING

Problem	Possible Cause	Solution
---------	----------------	----------

Problem	Possible Cause	Solution
Desk does not move	Power cable disconnected; motor overload; control panel issue.	Check power connections. Reduce weight on desk. Consult manufacturer support if issue persists.
Desk wobbles at higher settings	Uneven floor; loose connections; excessive weight.	Adjust leveling feet. Ensure all frame bolts are tightened. Distribute weight evenly.
Memory presets not working	Presets not properly saved.	Re-follow the instructions for setting memory presets.

SPECIFICATIONS

Feature	Detail
Brand	VIVO
Model Number	DESK-KIT-1B6B-30
Product Dimensions	29.5"D x 59"W x 29.2"H
Color	Black Top / Black Frame
Style	Modern
Base Material	Alloy Steel
Top Material Type	Engineered Wood
Finish Type	Laminated
Special Feature	Adjustable Height
Furniture Leg Material	Alloy Steel
Included Components	Black Electric Single Motor Desk Frame, Black 60" x 30" Table Top
Maximum Weight Recommendation	176 Pounds
Item Weight	52 Pounds
Tabletop Thickness	1.1 Inches
Maximum Height	48.4 Inches
Minimum Height	29.2 Inches
Required Assembly	Yes



Image: The VIVO Electric Standing Desk in a typical setup, showcasing its design and functionality.

ADVANCED DESK FRAME DESIGN



2 TIER
LEG SUPPORT



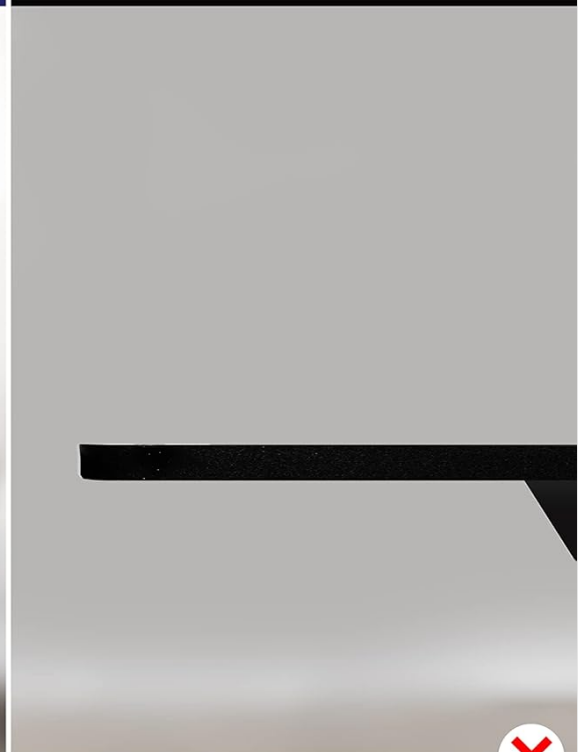
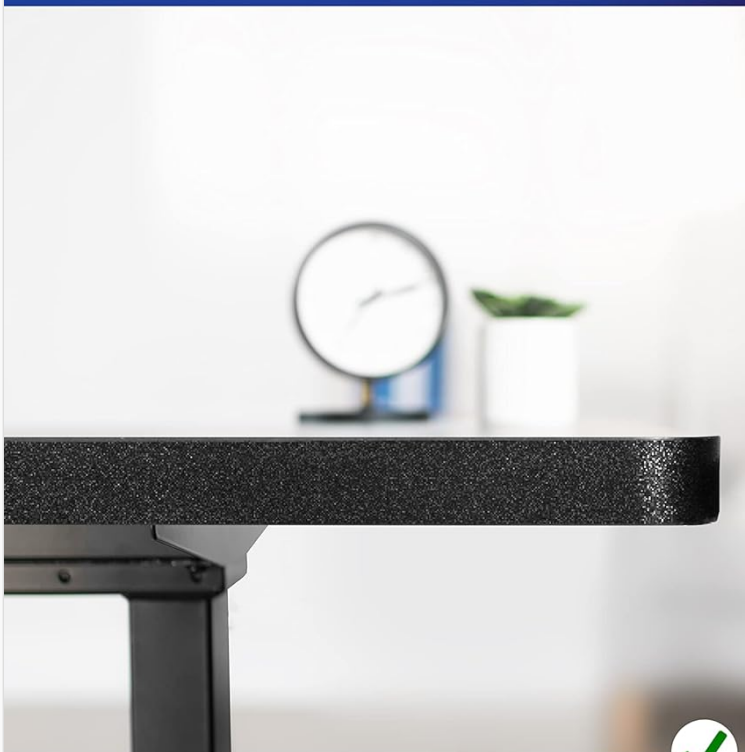
POWERFUL MOTOR
provides strong + quiet
height adjustment

WEIGHT CAPACITY up to 176lbs

Image: Detailed view of the desk's robust frame, powerful motor, and two-tier leg support, emphasizing its 176 lbs weight capacity.

V·I·V· Table Top

Other Brands



1" Thick



0.4" - 0.6" Thick



Supports Under Desk Mounting

No Under Desk Mounting



Supports Heavy Monitors Setups

Fails to Support Heavy Setups



Premium Look

Cheap Look

Image: A visual comparison illustrating the 1.1-inch thickness of the VIVO tabletop, designed for durability and supporting under-desk mounting.

WARRANTY AND SUPPORT

This VIVO Electric Standing Desk comes with a **3-year manufacturer warranty**.

For technical assistance, troubleshooting, or warranty claims, please contact VIVO customer support. As the seller, VIVO provides direct support for this product.

For additional information or to register your product, please visit the official VIVO website or refer to the contact information provided with your purchase.

