

vidaXL 151999

vidaXL Corten Steel Raised Garden Bed Instruction Manual

Model: 151999

[Introduction](#)

[Components](#)

[Assembly](#)

[Maintenance](#)

[Specifications](#)

[Safety Information](#)

1. INTRODUCTION

This manual provides instructions for the assembly, use, and maintenance of your vidaXL Corten Steel Raised Garden Bed, model 151999. This raised planter is designed for gardening enthusiasts looking to enhance their garden, balcony, or patio with a durable and aesthetically pleasing solution. The Corten steel material is known for its natural anti-corrosion properties and develops a unique rust patina over time, offering a distinctive appearance.



Image: The vidaXL Corten Steel Raised Garden Bed installed in a garden, showcasing its natural rust finish and integration with plants.

2. COMPONENTS OVERVIEW

Before beginning assembly, ensure all components are present and undamaged. The raised garden bed consists of multiple Corten steel panels and internal support brackets. The edges are designed with a safety fold to prevent sharp edges, and the planter offers ample space for plants, vegetables, herbs, and flowers.



Image: Unrusted Corten steel panels, showing the initial grey appearance of the material before weathering.

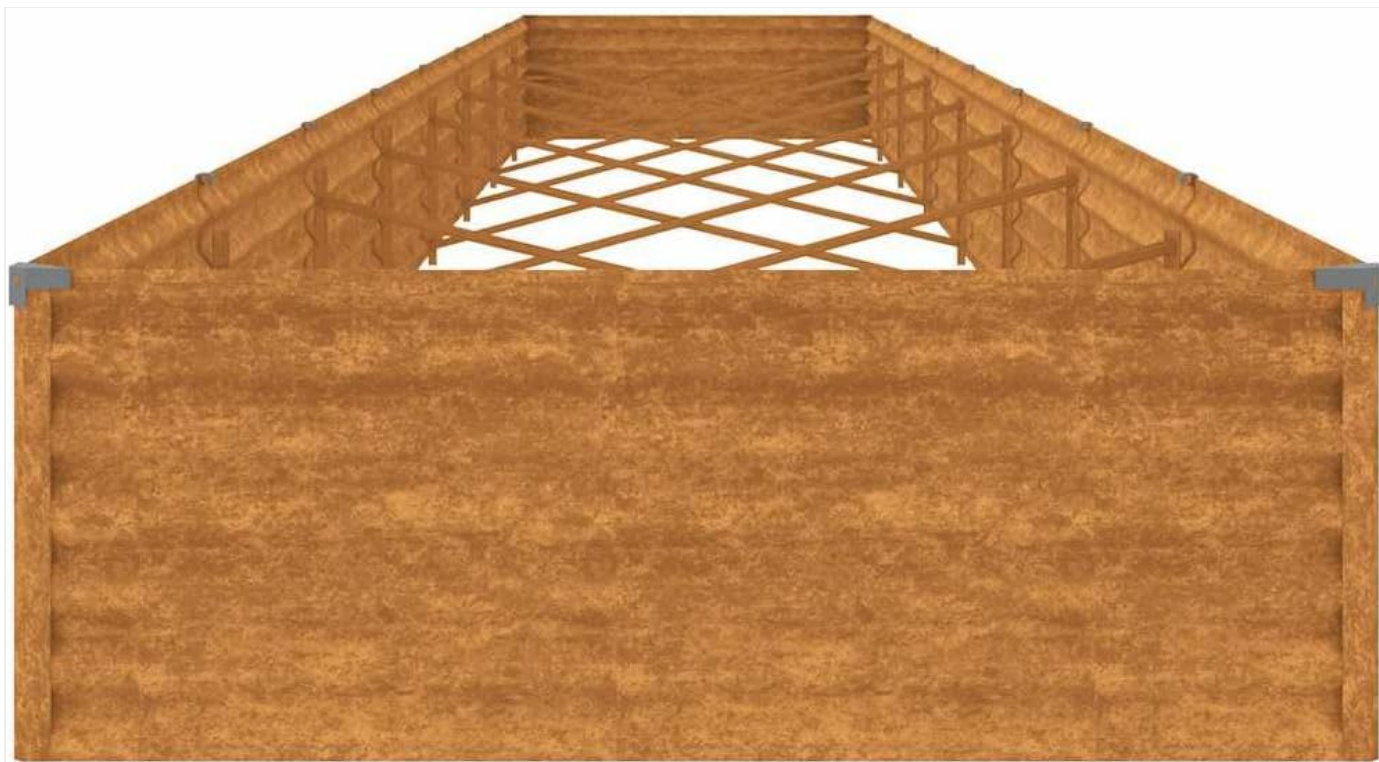


Image: An overhead view of the raised garden bed's internal support structure, designed for enhanced robustness and stability.

3. ASSEMBLY INSTRUCTIONS

Assembly requires careful attention due to the number of small components. It is recommended to have assistance and to wear appropriate safety gear, such as gloves, during the process. Refer to the included assembly diagram for detailed steps.

1. **Unpack all components:** Carefully remove all parts from the packaging and verify against the parts list provided in your package.
2. **Prepare the assembly area:** Choose a flat, stable surface for assembly. Consider laying down a protective sheet to prevent scratches to the components or your work surface.
3. **Assemble the side panels:** Connect the Corten steel panels using the provided fasteners. Ensure the safety-folded edges are correctly oriented.
4. **Install internal support brackets:** Attach the internal support brackets as indicated in the diagram. These brackets are crucial for the structural integrity of the raised bed.
5. **Secure all connections:** Double-check that all screws and fasteners are tightened securely. Avoid over-tightening to prevent damage to the material.
6. **Position the raised bed:** Once assembled, carefully move the raised bed to its final desired location.

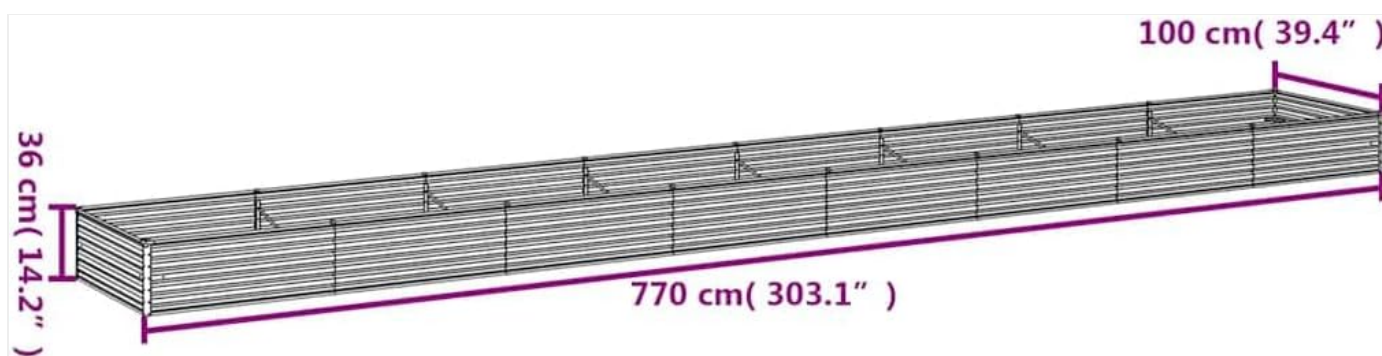


Image: Technical drawing illustrating the overall dimensions of the 770 x 100 x 36 cm raised garden bed.

4. MAINTENANCE AND RUST PATINA DEVELOPMENT

Corten steel is designed to develop a protective rust layer over time, which enhances its durability and aesthetic appeal. This process is natural and typically takes several weeks to months, depending on environmental conditions. The material is naturally anti-corrosion, weather-resistant, and requires low maintenance.

Accelerating the Rust Process

To achieve the desired rust patina more quickly, you can follow these steps:

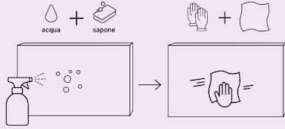
1. **Prepare a cleaning solution:** Mix water with dish soap.
2. **Clean the surface:** Spray the Corten steel surface with the soap and water mixture. Wipe thoroughly multiple times using gloves and a cloth.
3. **Prepare a salt solution:** Mix water with salt.
4. **Apply salt solution:** Spray the Corten steel surface with the salt and water mixture. Wipe thoroughly multiple times using gloves and a cloth.
5. **Allow to dry and repeat:** Let the steel dry completely. Repeat steps 4 and 5 after the surface is dry.
6. **Observe patina development:** The steel will gradually develop its rust patina over approximately 30 days. Avoid touching the surface during this period to prevent stains on clothing.



Image: Visual comparison showing the initial grey appearance of Corten steel upon arrival and its transformation to a rich rust color over time.

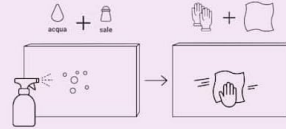
Come accelerare la ruggine

1



mescolare acqua e sapone quindi pulire più volte utilizzando guanti e un panno

2



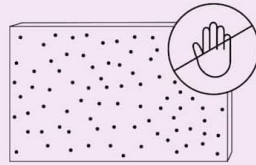
mescolare acqua con sale quindi pulire più volte utilizzando guanti e un panno

3



attendere 30 giorni per vedere il cambiamento di colore

4



evitare di toccarli per evitare che i vestiti si sporchino

Image: Step-by-step guide on how to accelerate the rust process using soap, water, and salt solutions.

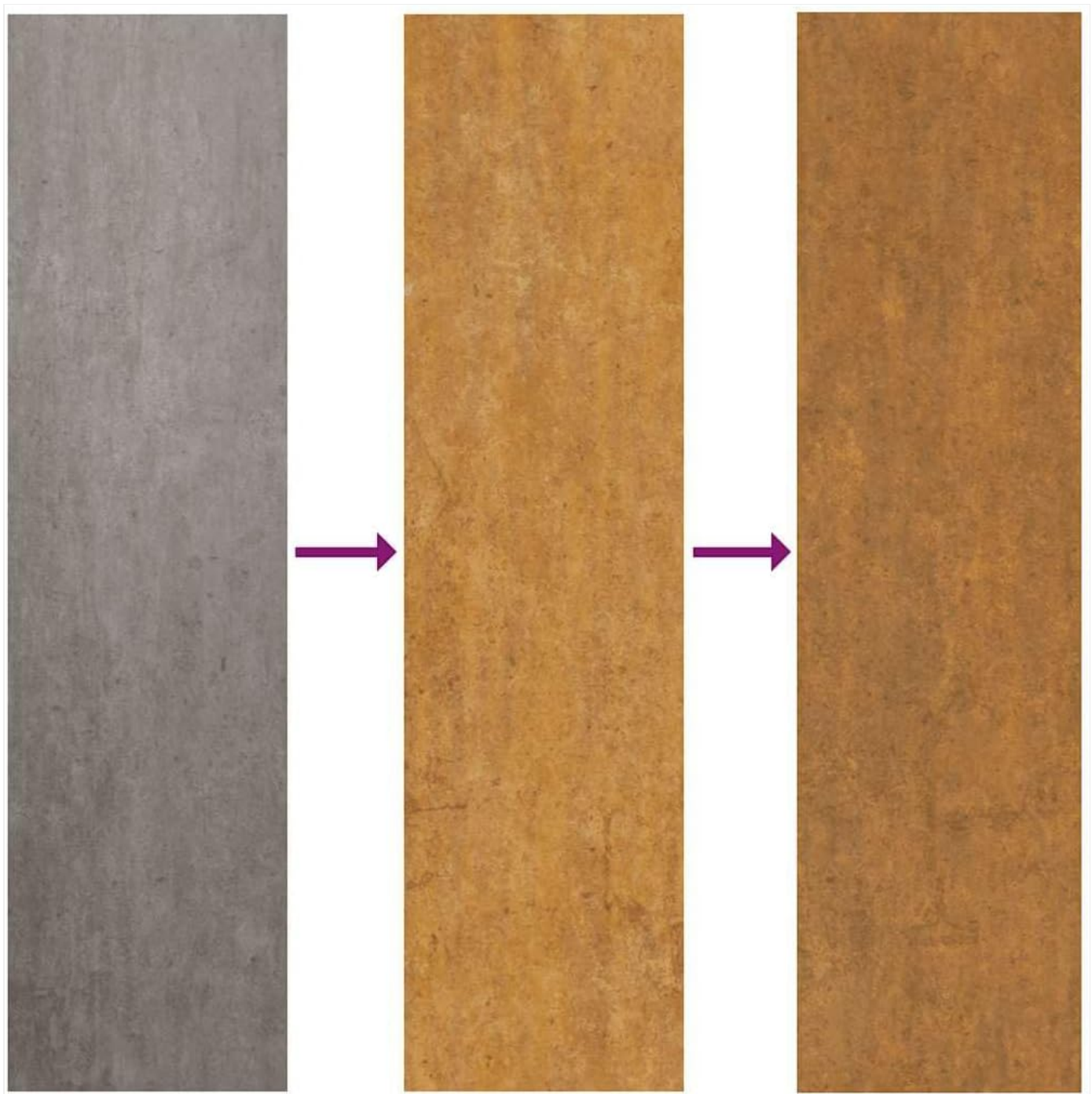


Image: A visual sequence demonstrating the gradual change in color as the Corten steel develops its protective rust layer.

5. SPECIFICATIONS

Feature	Detail
Brand	vidaXL
Model Number	151999
Product Dimensions	770 x 100 x 36 cm (Length x Width x Height)
Product Weight	21.8 kg
Material	Corten Steel (Alloy Steel)

Feature	Detail
Color	Brown (refers to the final rust color)
Special Feature	Rustproof (due to protective rust layer)
Style	Minimal
Planter Shape	Raised Bed

6. SAFETY INFORMATION

- Always wear appropriate personal protective equipment, such as gloves and safety glasses, during assembly and maintenance.
- Be aware of potential sharp edges during handling, even with safety-folded edges.
- Ensure the raised bed is placed on a stable, level surface to prevent tipping.
- Keep children and pets away from the assembly area.
- During the rust acceleration process, avoid direct contact with the wet surface to prevent staining clothes or skin.

7. WARRANTY AND SUPPORT

For warranty information, product support, or to report missing/damaged parts, please contact vidaXL customer service. Refer to your purchase documentation for specific contact details and warranty terms.

You can also visit the official vidaXL store for more products and information: [vidaXL Store on Amazon](#).

