

[Manuals.plus](#) /

> [Bosch](#) /

> Bosch SMV4HAX19E Serie 4 Dishwasher User Manual

Bosch SMV4HAX19E

Bosch SMV4HAX19E Serie 4 Dishwasher User Manual

Model: SMV4HAX19E | Brand: Bosch

IMPORTANT SAFETY INFORMATION

Please read this manual carefully before installing, operating, or performing maintenance on your dishwasher. Keep this manual for future reference.

- Ensure the appliance is properly grounded before use.
- Do not allow children to play with, on, or inside the appliance.
- Use only detergents and rinse aids specifically designed for automatic dishwashers.
- Do not open the door during operation, especially during the hot wash or drying cycle, as hot water or steam may escape.
- In case of malfunction, disconnect the appliance from the power supply and contact authorized service personnel.
- The AquaStop system provides protection against water damage. Do not immerse the AquaStop hose in water.



AquaStop
Niente più perdite di acqua dalla
lavastoviglie.

Image: The AquaStop system, designed to prevent water leaks from the dishwasher. This component is crucial for water safety.

SETUP AND INSTALLATION

This Bosch SMV4HAX19E dishwasher is designed for built-in installation. Proper installation is essential for optimal performance and safety.

1. Unpacking

Carefully remove all packaging materials. Inspect the dishwasher for any shipping damage. Report any damage to your dealer immediately.

2. Placement and Dimensions

Ensure the installation space meets the required dimensions for a fully integrated appliance. The appliance should be level to prevent operational issues.

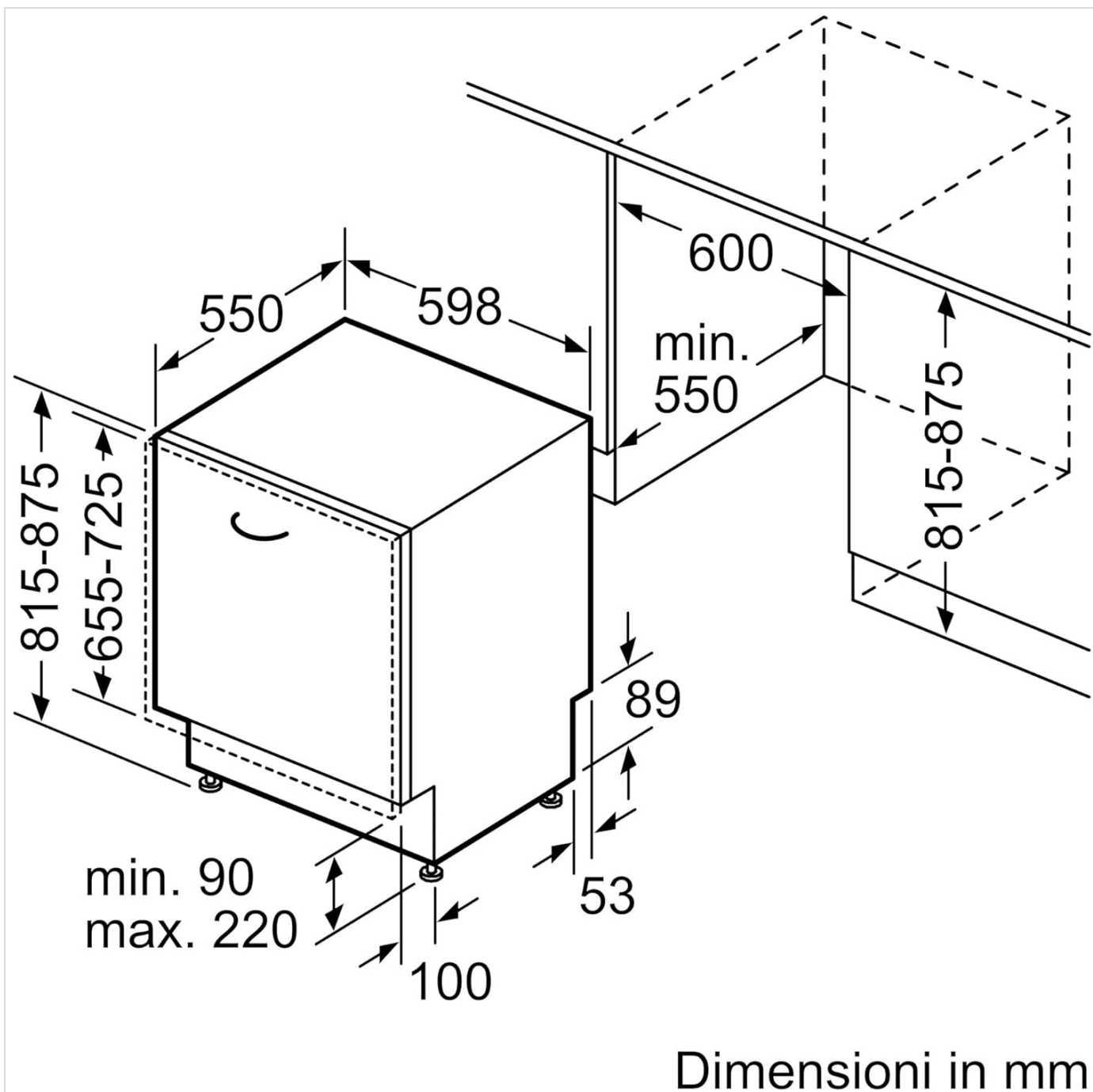
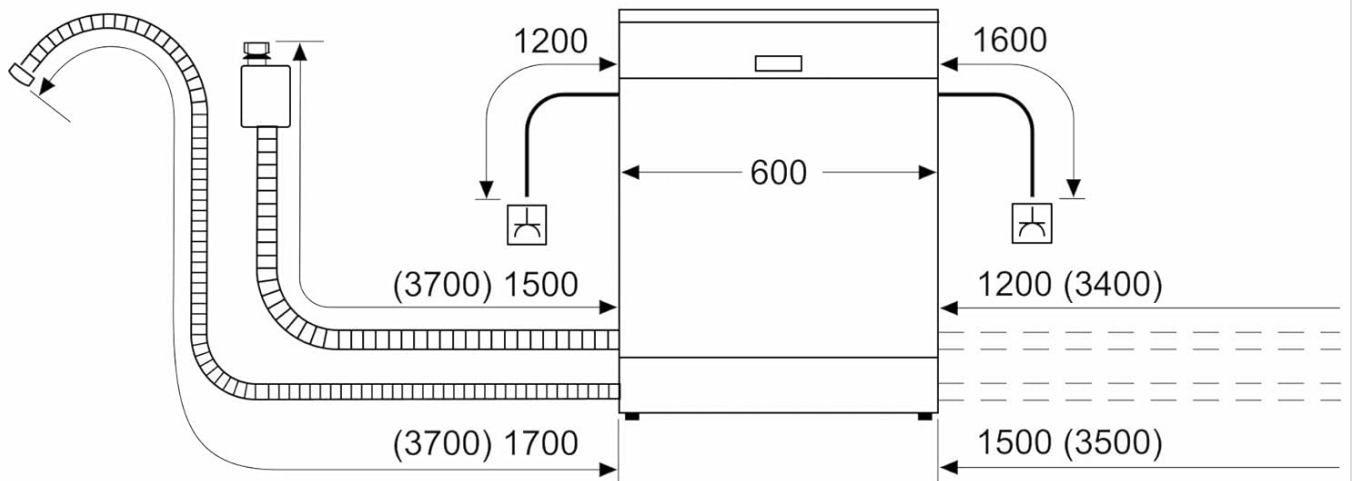


Image: Diagram illustrating the precise dimensions (in mm) required for installing the built-in dishwasher, including height, width, and depth clearances.

3. Water and Electrical Connections

Connect the water inlet hose to a cold water supply and the drain hose to a suitable drain. Ensure all connections are secure and leak-free. Connect the power cord to a grounded electrical outlet. Refer to the diagram for connection points and recommended lengths.

Dimensioni in mm



⚡ Presa di corrente
() Valori con prolunga

Image: Technical drawing showing the recommended lengths and positions for the water inlet, drain hose, and electrical power connection for the dishwasher installation.

4. First Use Preparation

Before the first wash cycle, fill the salt dispenser with dishwasher salt and the rinse aid dispenser with rinse aid. This ensures optimal cleaning and drying results, especially in areas with hard water.

OPERATING INSTRUCTIONS

Your Bosch SMV4HAX19E dishwasher offers various features for efficient and convenient dishwashing.

1. Control Panel Overview

The control panel is located on the top edge of the dishwasher door. It features buttons for program selection, options, and a digital display for cycle information.



Image: The Bosch SMV4HAX19E built-in dishwasher with its door open, revealing the integrated control panel along the top edge and the interior racks.

2. Loading Dishes

Load dishes efficiently to ensure proper water circulation and cleaning. Place larger items in the lower basket and delicate items like glasses and cups in the upper basket. Ensure spray arms are not obstructed.



Image: The interior of the dishwasher showing the upper and lower racks, designed for flexible loading of various dish sizes.

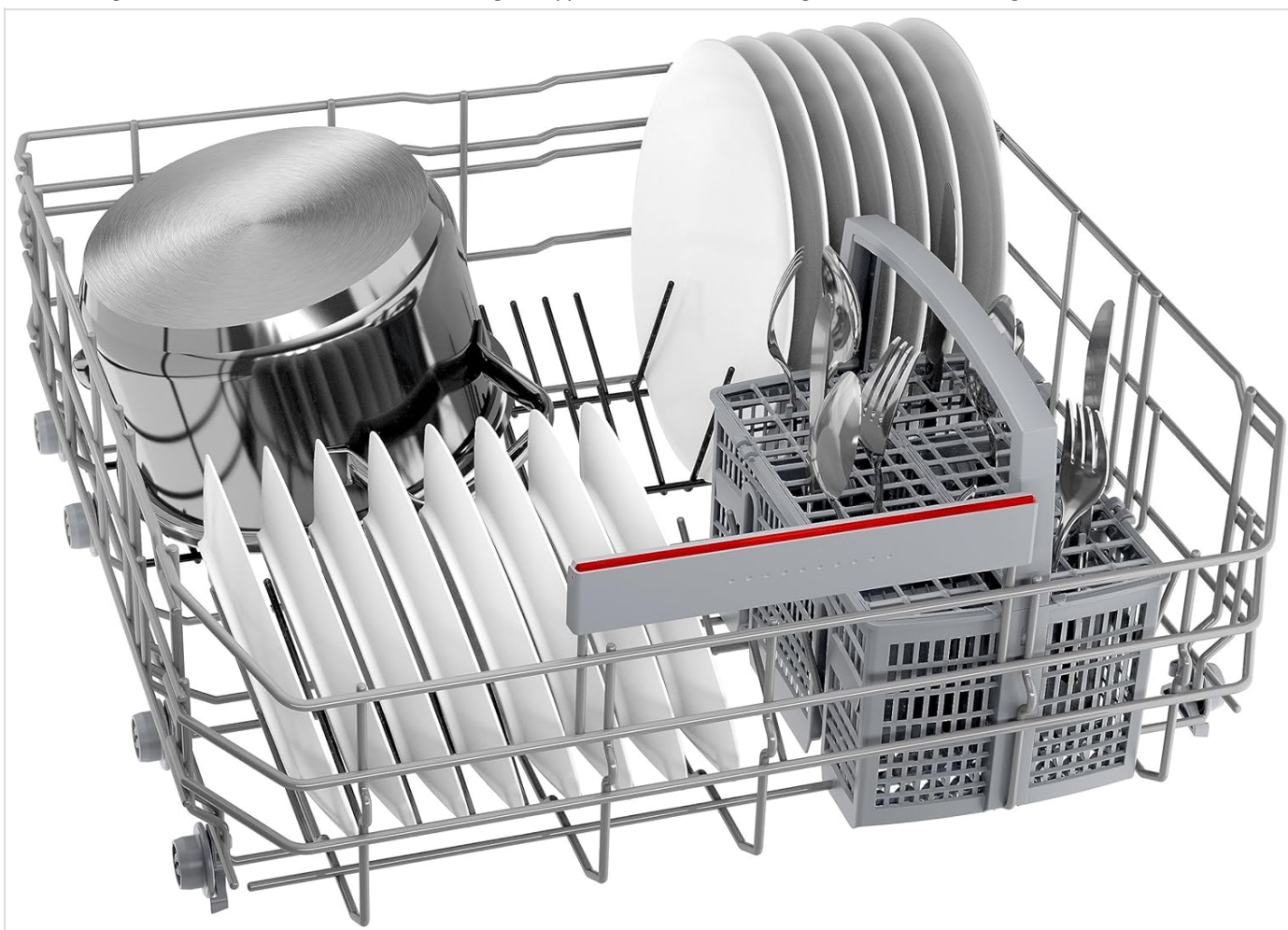


Image: A close-up of the lower dishwasher rack, demonstrating how to load plates, bowls, and a pot for effective cleaning.

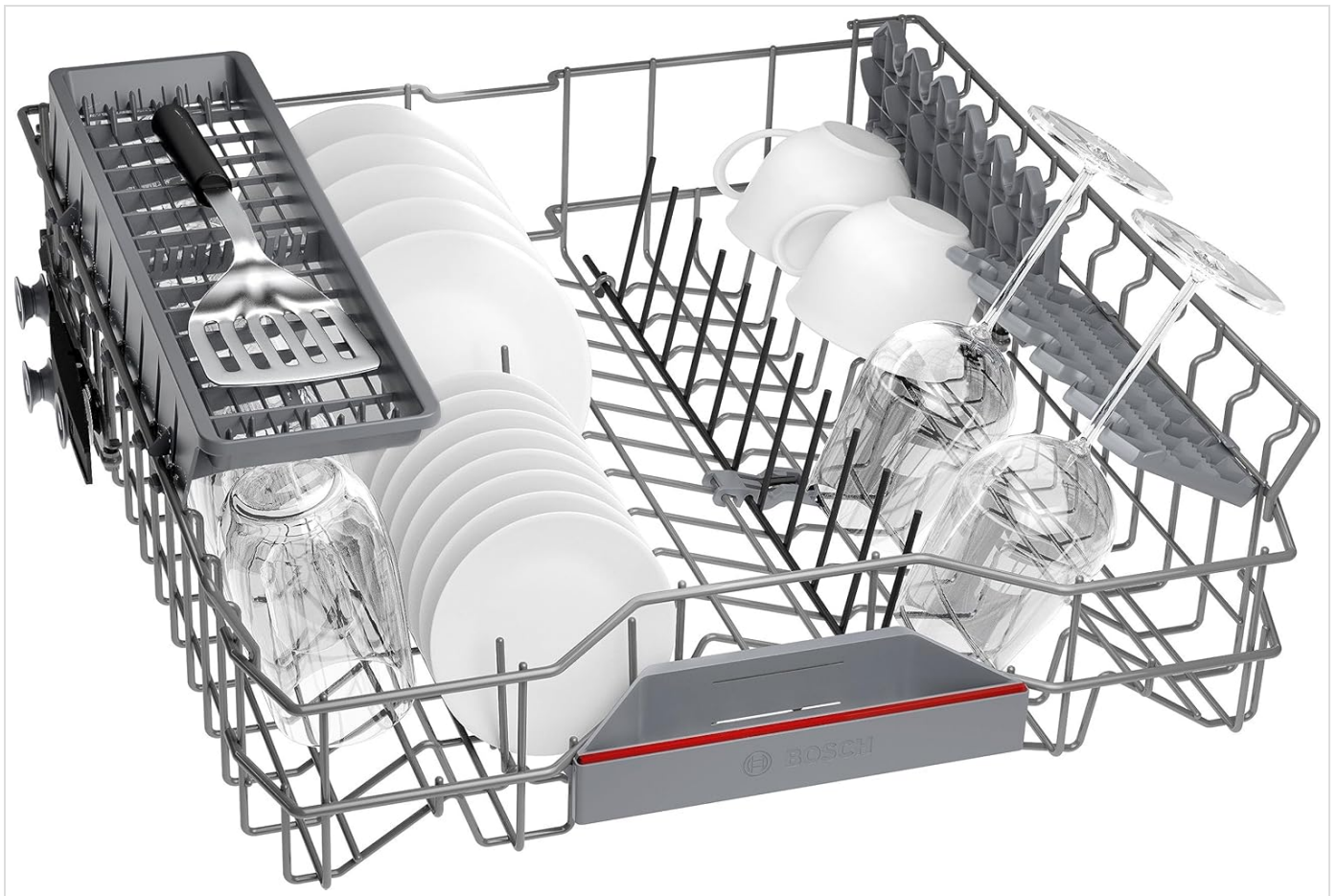


Image: A view of the upper dishwasher rack, showing the proper placement of glasses, cups, and a cutlery tray for optimal washing.

3. Adding Detergent

Open the detergent dispenser and add the appropriate amount of dishwasher detergent (powder, liquid, or tablet). Close the dispenser lid firmly.

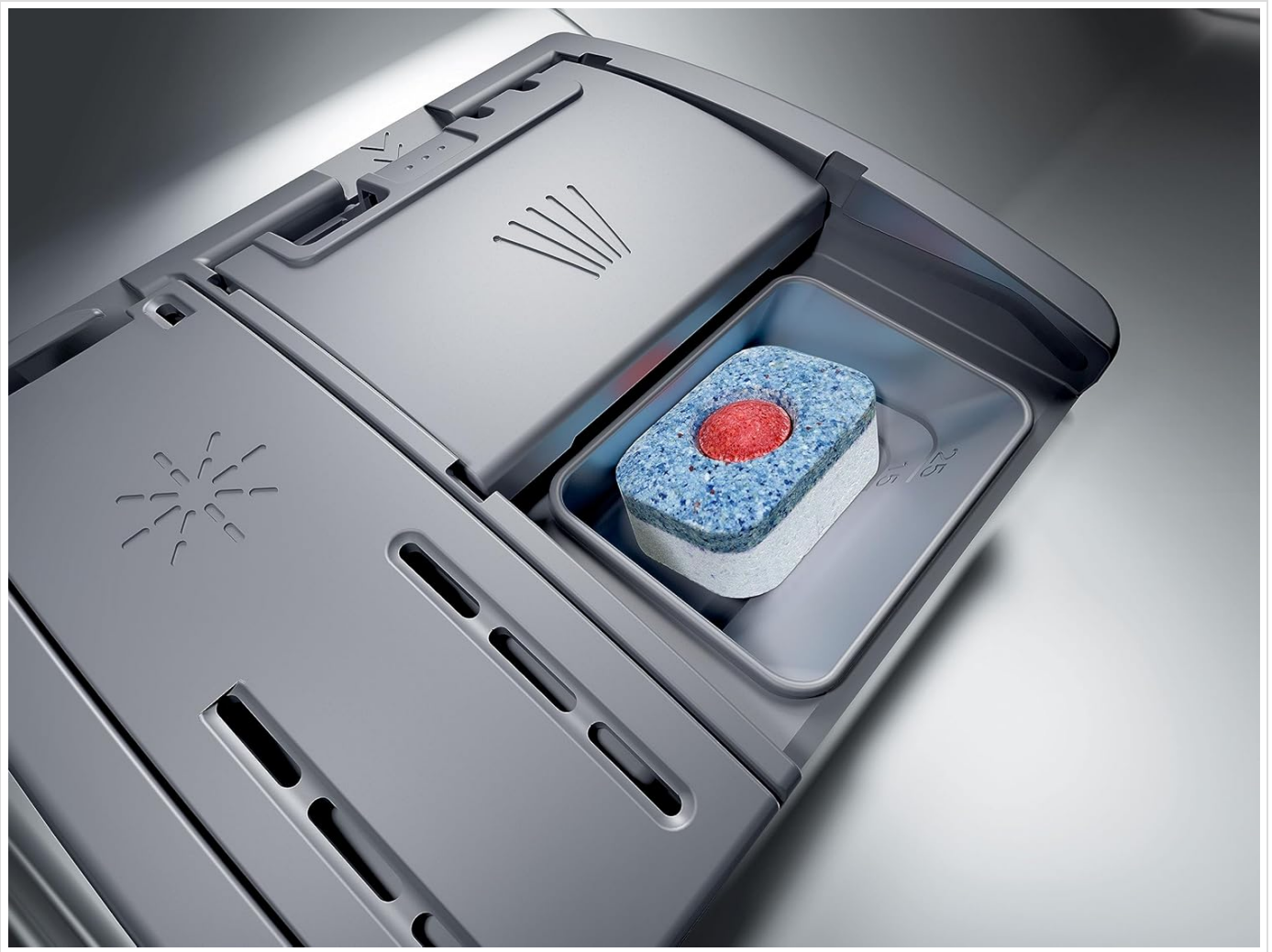


Image: A close-up of the dishwasher's detergent dispenser, with a multi-tab detergent placed inside, ready for a wash cycle.

4. Program Selection

Select a wash program suitable for your load. Available cycle options include:

- Normal
- Quick
- Intensive
- Gentle
- Rinse

Additional programs can be downloaded via the Home Connect App.

5. Starting a Program

Close the dishwasher door. Press the Start button to begin the selected program. The InfoLight will project a red dot onto the floor to indicate that the dishwasher is in operation.



Image: A red LED light, known as InfoLight, projected onto the floor beneath the dishwasher, indicating that the appliance is currently running a cycle.

6. Home Connect Features

Your dishwasher is equipped with Home Connect, allowing for smart control and diagnostics via your smartphone.

- **Remote Control:** Control your dishwasher remotely using the Home Connect App.
- **Remote Diagnostics:** With your consent, Bosch technical support can remotely access your dishwasher to check its status and provide advice.
- **Wash Assistant:** Answer simple questions in the app to receive recommendations for the most suitable wash program.
- **Download Programs:** Access and download additional wash programs directly through the Home Connect App.
- **Digital Manual:** Access the instruction manual and useful application tips directly from your smartphone.

MAINTENANCE

Regular maintenance ensures the longevity and optimal performance of your dishwasher.

1. Cleaning Filters

Regularly check and clean the filter system at the bottom of the wash tub to remove food particles and debris. This prevents blockages and ensures effective cleaning.

2. Cleaning Spray Arms

Inspect the spray arm nozzles for any blockages. If necessary, remove the spray arms and clean the nozzles under running water to ensure an unobstructed spray pattern.

3. Exterior Cleaning

Wipe the exterior surfaces of the dishwasher with a soft, damp cloth. Avoid abrasive cleaners or solvents that could damage the finish.

TROUBLESHOOTING

Before contacting service, refer to the following table for common issues and their potential solutions.

Problem	Possible Cause	Solution
Dishwasher does not start	Door not closed properly; Power supply issue; Program not selected.	Ensure door is latched; Check power cord and circuit breaker; Select a program and press Start.
Dishes are not clean	Improper loading; Clogged spray arms; Insufficient detergent; Clogged filters.	Reload dishes correctly; Clean spray arm nozzles; Add more detergent; Clean filter system.
Water remains in the tub	Clogged drain hose or filter; Drain pump malfunction.	Clean filter system and check drain hose for kinks; Contact service if pump is faulty.
InfoLight not visible	Dishwasher not running; Light malfunction.	Ensure a program is active; Contact service if light is faulty.

SPECIFICATIONS

Detailed technical specifications for the Bosch SMV4HAX19E dishwasher.

Feature	Value
Model Name	SMV4HAX19E
Brand	Bosch
Installation Type	Built-in
Product Dimensions (D x W x H)	55 x 59.8 x 81.5 cm
Item Weight	34.4 Kilograms
Capacity	13 Place Settings
Energy Efficiency Rating (EU)	D
Annual Energy Consumption (100 cycles)	84 kWh
Water Consumption (per cycle)	9.0 Liters
Noise Level	42 dB
Voltage	230 Volts
Wattage	2400 Watts
Interior Material Type	Stainless Steel
Control Type	Push Button
Display Type	LED
Special Feature	Adjustable Basket
Included Components	Instruction Manual

Feature

Value



ENERG



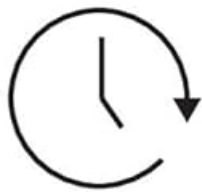
Bosch

SMV4HAX19E



84 kWh /



13 x**9,0 L****4:30****42dB****A B C D**

2019/2017

Image: The EU energy label for the Bosch SMV4HAX19E dishwasher, indicating its energy efficiency class D, annual energy consumption, water consumption, and noise level.

Scheda informativa del prodotto

REGOLAMENTO DELEGATO (UE) 2019/2017 DELLA COMMISSIONE

Nome o marchio del fornitore ^(a) ^(b) :	Bosch			
Indirizzo del fornitore ^(a) ^(b) :	BSH Hausgeräte GmbH, Carl-Wery-Str. 34, 81739 Munich, Germany			
Identificativo del modello ^(a) :	SMV4HAX19E			
Parametri generali del prodotto:				
Parametro	Valore	Parametro	Valore	
Capacità nominale ^(d) (ps)	13	Dimensioni in cm ^(a) ^(b)	Altezza	82
			Larghezza	60
			Profondità	55
IEE ^(d)	49.9	Classe di efficienza energetica ^(d)	D ^(c)	
Indice di efficienza di lavaggio ^(d)	1.121	Indice di efficienza di asciugatura ^(d)	1.061	
Consumo di energia in kWh [per ciclo], con il programma eco e l'utilizzo di acqua fredda. Il consumo effettivo di energia dipende dalle modalità d'uso dell'apparecchio.	0.836	Consumo di acqua in litri [per ciclo] con il programma eco. Il consumo effettivo di acqua dipende dalle modalità d'uso dell'apparecchio e dalla durezza dell'acqua.	9.0	
Durata del programma ^(d) (h:min)	4:30	Tipo	Da incasso	

Emissioni di rumore aereo ^(d) (dB(A) re 1 pW)	42	Classi di emissione di rumore aereo ^(d)	B ^(c)
Modo spento (W) (se del caso)	-	Modo stand-by (W) (se del caso)	0.50
Avvio ritardato (W) (se del caso)	4.00	Modo stand-by in rete (W) (se del caso)	2.00
Durata minima della garanzia offerta dal fornitore ^{(a) (b)} :			24 mesi
Informazioni supplementari ^{(a) (b)} :			
Link al sito web del fornitore dove si trovano le informazioni di cui all'allegato II, punto 6, del regolamento (UE) 2019/2022 della Commissione: www.bosch-home.com/energylabel			
1			23.07.2023

Image: A table providing detailed product information, including energy efficiency index, washing efficiency index, drying efficiency index, program duration, and noise emission class, as per EU regulations.

For more detailed information, please refer to the official EPREL database:

[HTTPS://EPREL.EC.EUROPA.EU/QR/1363208](https://eprel.ec.europa.eu/qr/1363208)

WARRANTY AND SUPPORT

Your Bosch SMV4HAX19E dishwasher comes with a manufacturer's warranty and access to support services.

Warranty Information

The manufacturer provides a minimum warranty period of **24 months** from the date of purchase. Please retain your proof of purchase for warranty claims.

Customer Support

For technical assistance, spare parts, or warranty service, please contact Bosch customer support. You can also utilize the Home Connect App for remote diagnostics and troubleshooting advice, potentially avoiding a service visit.

Visit the official Bosch website for contact details and further support resources.