



Manuals.plus /

› Sementa /

› Sementa Twin Minimalist Daybed Frame Instruction Manual

## Sementa Twin Minimalist

# Sementa Twin Minimalist Daybed Frame Instruction Manual

Model: Twin Minimalist

---

## 1. PRODUCT OVERVIEW

---

Thank you for choosing the Sementa Twin Minimalist Daybed Frame. This versatile furniture piece is designed to provide both comfortable sleeping and seating solutions for your living room, bedroom, or guest room. Constructed from heavy-duty steel, it offers stability and durability, supporting up to 600 pounds. Its minimalist design integrates seamlessly into various interior styles, while the ample under-bed clearance provides convenient storage space.

### Key Features:

- **Stable Construction:** Heavy-duty steel slats and six solid support legs ensure even pressure distribution and robust support.
- **Multi-functional Design:** Functions as both a twin bed and a sofa.
- **Ample Storage:** 13 inches of under-bed clearance for storing various items.
- **Easy Assembly:** All necessary parts, hardware, and instructions are included for straightforward setup.

## 2. SAFETY INFORMATION

---

- Read all instructions carefully before assembly and use.
- Keep all small parts and packaging materials away from children.
- Assemble the daybed on a soft, clean surface to prevent scratches.
- It is recommended that two adults assemble this product.
- Ensure all bolts and screws are securely tightened before use. Periodically check and re-tighten as needed.
- Do not exceed the maximum weight capacity of 600 pounds.
- Use only a twin-size mattress with this daybed frame.

## 3. PACKAGE CONTENTS

---

Verify that all components listed below are present before beginning assembly. If any parts are missing or damaged, please contact customer support.

- 1 × Twin Daybed Frame (disassembled parts)
- 1 × Instruction Manual
- 1 × Assembly Kit (includes all necessary hardware and tools)



*Figure 3.1: Product Dimensions and Components. This image illustrates the overall dimensions of the daybed frame (79.3"L x 38.6"W x 43.5"H), the 15" height to the bed surface, and 13" of under-bed clearance. It also indicates the frame is made of metal and has a weight capacity of 1000 lbs (note: product feature bullets state 600 lbs, please refer to the lower value for safety).*

## 4. ASSEMBLY INSTRUCTIONS

Please follow these steps carefully for proper assembly. It is recommended to have a second person assist with assembly.

1. **Unpack and Identify Parts:** Carefully remove all components from the packaging. Lay them out on a clean, soft surface to prevent damage. Refer to the included parts list and diagram to identify each piece.
2. **Assemble Headboard and Footboard Sections:** Attach the horizontal bars to the vertical posts of the

headboard and footboard sections using the provided bolts and tools. Do not fully tighten bolts at this stage.

3. **Connect Side Rails:** Attach the side rails to the assembled headboard and footboard sections. Ensure the connections are secure but still allow for minor adjustments.
4. **Install Center Support Legs:** Securely attach any designated center support legs to the main frame structure.
5. **Place Bed Slats:** Position the metal bed slats across the frame. Secure them according to the instructions, typically by inserting them into designated slots or fastening with screws.
6. **Final Tightening:** Once all components are in place and aligned, systematically tighten all bolts and screws using the provided tool. Ensure all connections are firm and stable.
7. **Verify Stability:** Gently shake the assembled daybed frame to ensure it is stable and all parts are securely fastened.



Figure 4.1: Sturdy Construction Detail. This image highlights the robust metal frame and the additional center support legs designed for enhanced stability and durability.

## 5. OPERATING INSTRUCTIONS

### 5.1 Using as a Daybed

Place a standard twin-size mattress directly onto the metal slat support system. The daybed is ready for use as a comfortable sleeping surface.

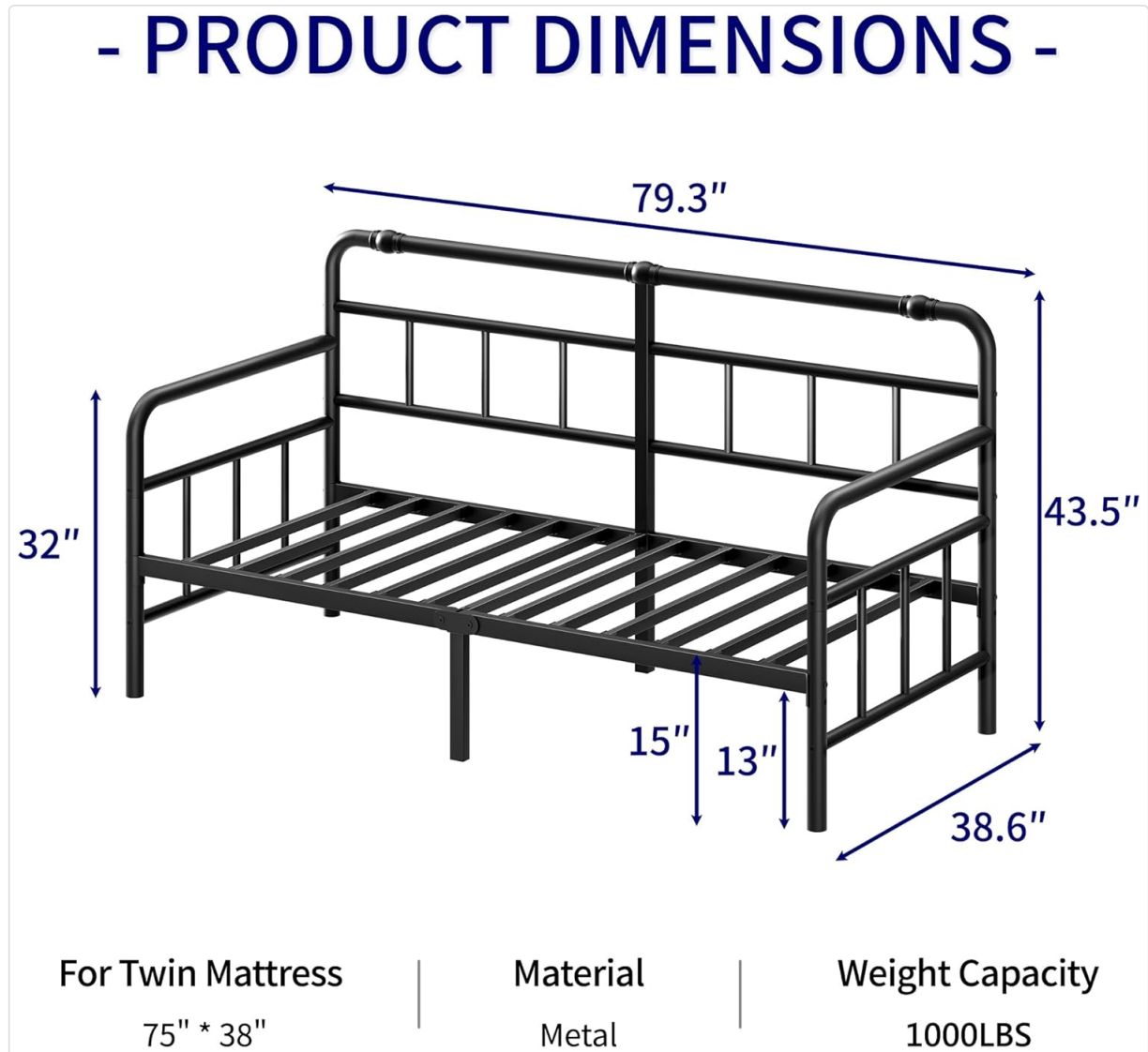


Figure 5.1: Daybed Configuration. This image shows the daybed frame with a mattress and bedding, illustrating its use as a sleeping area.

## 5.2 Using as a Sofa

The daybed's design allows it to function as a sofa. Arrange pillows and cushions against the back and armrests to create a comfortable seating area for your living space.

## Versatile Functionality: Sofa



*Figure 5.2: Sofa Configuration. This image demonstrates the daybed frame arranged with pillows to serve as a functional sofa.*

### **5.3 Utilizing Under-bed Storage**

The daybed offers 13 inches of clearance beneath the frame. This space can be used to store boxes, suitcases, or other items, helping to keep your room organized and tidy.

## Ample Under-bed Storage



Figure 5.3: Under-bed Storage. This image illustrates the available space beneath the daybed, suitable for storing various items.

## 6. MAINTENANCE

- **Cleaning:** Wipe the metal frame with a soft, damp cloth. For stubborn marks, a mild, non-abrasive cleaner can be used. Dry immediately with a clean cloth to prevent rust. Avoid harsh chemicals or abrasive cleaning tools.
- **Regular Checks:** Periodically inspect all bolts and screws to ensure they remain tight. Re-tighten as necessary to maintain the daybed's stability and prevent squeaking.
- **Avoid Excessive Moisture:** Keep the daybed in a dry environment to prevent rust and damage to the finish.

## 7. TROUBLESHOOTING

- **Squeaking Noises:**  
*Solution:* Check all bolts and screws. Loosen slightly, adjust the frame, and then re-tighten firmly. Ensure the mattress is properly seated on the slats.
- **Instability/Wobbling:**  
*Solution:* Verify that all connections are fully tightened. Ensure the daybed is placed on a level surface. If

the floor is uneven, consider using furniture pads under the legs.

- **Missing Parts:**

*Solution:* If any parts are missing from the package, do not attempt to assemble the daybed. Contact Sementa customer support immediately for assistance.

- **Difficulty Aligning Holes During Assembly:**

*Solution:* Do not fully tighten any bolts until all components are loosely assembled. This allows for minor adjustments to align holes. Once all parts are in place, then proceed to tighten all bolts securely.

## 8. PRODUCT SPECIFICATIONS

---

Feature	Specification
Brand	Sementa
Model	Twin Minimalist
Size	Twin
Product Dimensions (L x W x H)	77.6" x 38.2" x 15" (Note: Headboard height is 43.5" from floor)
Material	Heavy-Duty Steel
Color	Black
Finish Type	Painted
Weight Capacity	600 pounds
Under-bed Clearance	13 inches
Assembly Required	Yes

## 9. WARRANTY AND SUPPORT

---

Sementa products are manufactured with quality and durability in mind. For specific warranty details regarding your Twin Minimalist Daybed Frame, please refer to the documentation included with your purchase or visit the official Sementa website.

If you have any questions, require assistance with assembly, or need to report missing/damaged parts, please contact Sementa customer support:

- **Website:** Visit the Sementa Store on Amazon
- **Email:** [Insert Manufacturer Support Email Here]
- **Phone:** [Insert Manufacturer Support Phone Number Here]

Please have your model number (Twin Minimalist) and purchase date available when contacting support.