



[Manuals.plus](#) /

› [WEEWAY](#) /

› WEEWAY Upholstered Queen Size Bed Frame Instruction Manual

WEEWAY 7227-2

WEEWAY Upholstered Queen Size Bed Frame Instruction Manual

Model: 7227-2 | Brand: WEEWAY

1. PRODUCT OVERVIEW

This manual provides detailed instructions for the assembly, operation, and maintenance of your WEEWAY Upholstered Queen Size Bed Frame. This bed frame features a button-tufted wingback headboard, four integrated storage drawers, and a sturdy construction designed for comfort and durability without the need for a box spring.



Image 1.1: The WEEWAY Upholstered Queen Size Bed Frame with its wingback headboard and integrated storage drawers.

2. KEY FEATURES

- **Space-Saving Drawers Design:** Four hidden storage drawers are integrated underneath the bed frame, providing ample space for organizing bedding, clothing, or other items. These drawers are fitted with smooth wheels for easy access.

WINGBACK HEADBOARD DESIGN

16" wingback prevents the mattress from sliding.
no effect pulling out drawers.



Image 2.1: View of the under-bed storage drawers, demonstrating their capacity and accessibility.

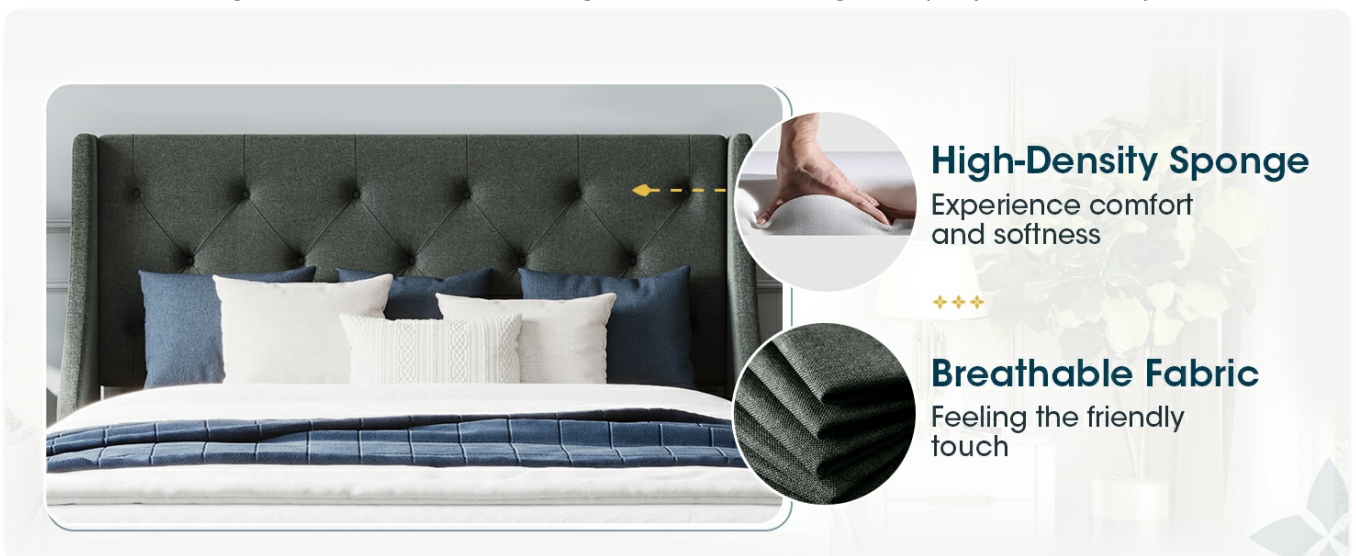


Image 2.2: Detailed illustration of the drawer's smooth wheels and secure latching system.

- **Upholstered Wingback Headboard:** The headboard features a stylish wingback design, filled with high-density sponge for comfortable support. Its wide wingbacks help prevent the mattress from shifting while allowing space for

nightstands.



Image 2.3: The elegant wingback headboard design, providing both aesthetic appeal and mattress stability.

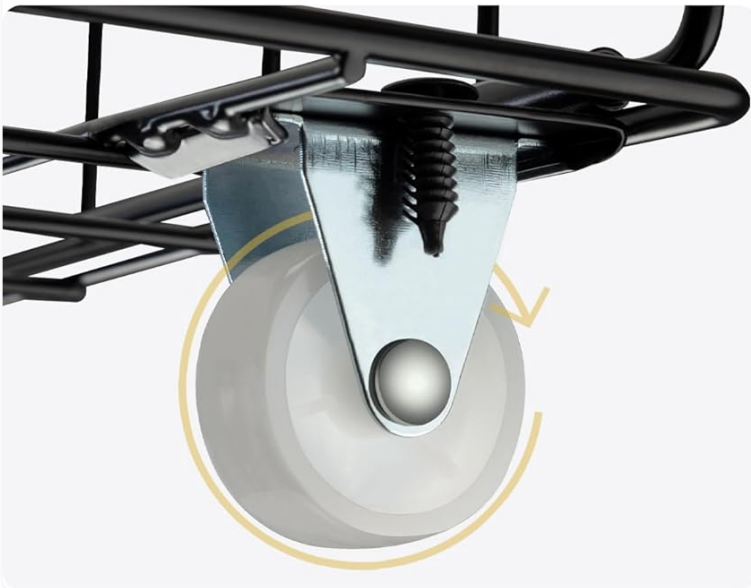


Image 2.4: The luxurious wingback headboard, suitable for various users, with a recommended mattress thickness of 8-14 inches.

- **Modern and Elegant Design:** This bed frame combines functionality with a stylish appearance. The button-tufted design complements various interior decors, adding a touch of sophistication to your bedroom.
- **Sturdy and Durable Construction:** Constructed with a heavy-duty metal structure and robust wood slats, the bed frame offers strong support for all mattress types, with a weight capacity of 800 lbs. The embedded design ensures the mattress remains firmly in place, preventing slipping.

Faxed Latching

Faxed lock system keeps them stay in place.



Smooth Wheel

Smooth wheels help them to move in & out easily.



Image 2.5: The embedded mattress design ensures stability and prevents mattress movement.

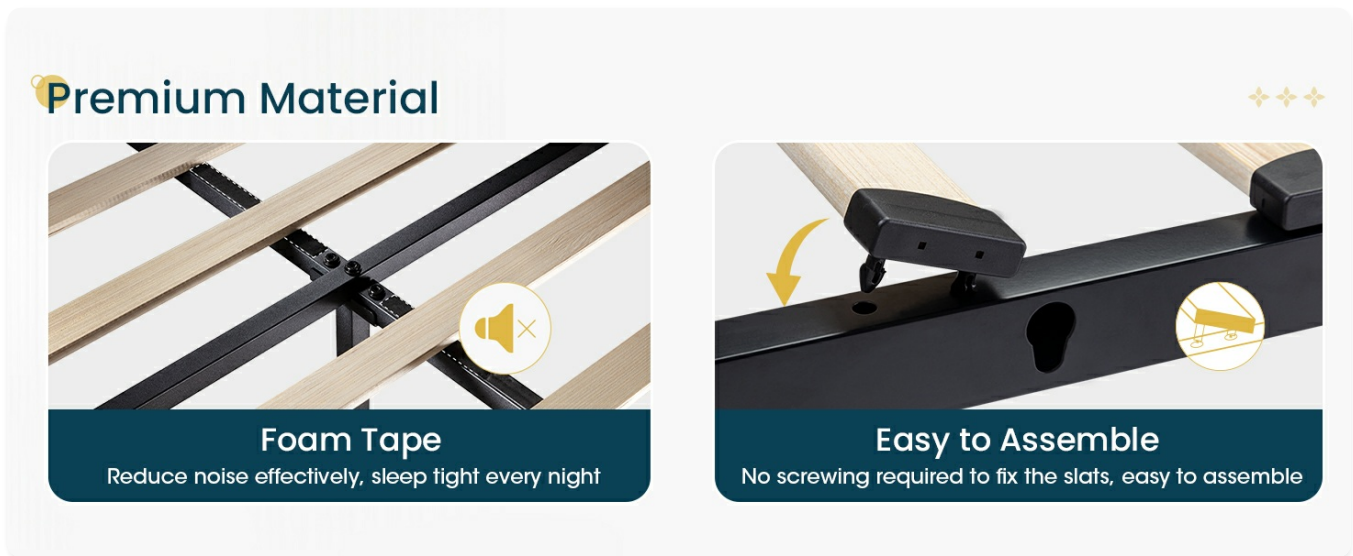


Image 2.6: Premium materials include foam tape on slats to reduce noise and a design that facilitates easy assembly without screws for slats.

- **Easy Assembly:** The bed frame is designed for straightforward assembly, arriving in a single package with all necessary tools and clear installation instructions. Assembly can typically be completed in less than 30 minutes.

3. SETUP AND ASSEMBLY

Your WEEWAY bed frame is designed for quick and easy assembly. Please follow the included step-by-step instructions carefully. All necessary tools and hardware are provided in the single package.

3.1 Before You Begin

- Unpack all components and verify against the parts list in your instruction manual.
- Ensure you have sufficient space for assembly.
- It is recommended to assemble with two people for ease and safety.

3.2 Assembly Steps

1. Lay out all frame components on a clean, soft surface to prevent scratches.
2. Attach the side rails to the headboard and footboard using the provided hardware. Ensure all connections are secure.
3. Insert the wooden slats into the designated slots on the frame. The design allows for easy insertion without additional screwing.
4. Assemble the four storage drawers. Attach the wheels and ensure the latching mechanism is functional.
5. Slide the assembled drawers into their positions under the bed frame.
6. Once the frame is fully assembled, gently place your mattress on top of the slats. The embedded design will help secure it.

Premium Material



Foam Tape

Reduce noise effectively, sleep tight every night



Easy to Assemble

No screwing required to fix the slats, easy to assemble

Image 3.1: The bed frame features an easy assembly process with no screwing required for slats, and foam tape for noise reduction.

4. OPERATING INSTRUCTIONS

The WEEWAY bed frame is designed for straightforward use. Once assembled, it requires minimal operation.

4.1 Using the Storage Drawers

- To open a drawer, gently pull the front panel outwards. The smooth wheels will allow it to glide easily.
- To close a drawer, push it inwards until it is fully recessed under the bed frame. The fixed latching system will help keep it securely in place.
- Avoid overloading the drawers to ensure smooth operation and prevent damage to the wheels or frame.



Image 4.1: Detail of the drawer's smooth wheel and the fixed latching system for secure closure.

5. CARE AND MAINTENANCE

Proper care will extend the life and maintain the appearance of your WEEWAY bed frame.

- **Upholstery Care:** The manufacturer recommends *Dry Clean Only* for the upholstered fabric. For minor spills, blot immediately with a clean, dry cloth. Do not rub. For tougher stains, consult a professional upholstery cleaner.
- **Frame Care:** Regularly check all bolts and connections to ensure they remain tight. Re-tighten if necessary to maintain stability and prevent squeaking.
- **General Cleaning:** Dust the frame regularly with a soft, dry cloth. Avoid using harsh chemicals or abrasive cleaners, as these can damage the fabric or finish.
- **Drawer Maintenance:** Keep the drawer tracks clean and free of debris to ensure smooth operation of the wheels.

6. TROUBLESHOOTING

This section addresses common issues you might encounter with your bed frame.

- **Squeaking Noises:** If the bed frame begins to squeak, first ensure all assembly bolts are securely tightened. The design includes foam tape on the slats to reduce noise, but loose connections can still cause sound. Re-tighten all hardware.
- **Drawers Not Sliding Smoothly:** Check the drawer wheels for any trapped debris or hair. Clean the wheels and the tracks. Ensure the drawers are not overloaded, which can impede movement.
- **Mattress Shifting:** The bed frame features an embedded design to prevent mattress slipping. If your mattress is still shifting, ensure it is correctly centered on the frame and that the frame itself is level on the floor.
- **Instability:** If the frame feels unstable, re-check all connections and ensure they are fully tightened. Verify that the bed frame is placed on a flat, even surface.

7. PRODUCT SPECIFICATIONS

QUEEN SIZE

LxWxH: 85.2" x 64" x 40.6"



Image 7.1: Detailed dimensions for the Queen Size bed frame and its components.

Attribute	Value
Brand	WEEWAY
Model Number	7227-2
Size	Queen
Color	Dark Grey
Product Dimensions (L x W x H)	85.2"L x 64"W x 40.6"H
Material	Fabric, Iron, Wooden
Special Features	Easy Assembly, No Box Spring Needed, Squeak Resistant, Storage Drawer
Weight Capacity	800 lbs
Item Weight	106.9 pounds
Assembly Required	Yes
Product Care Instructions	Dry Clean Only
Included Components	Bed Frame, Drawer, Hardware Pack, Headboard, Slat
Box Spring Required	No

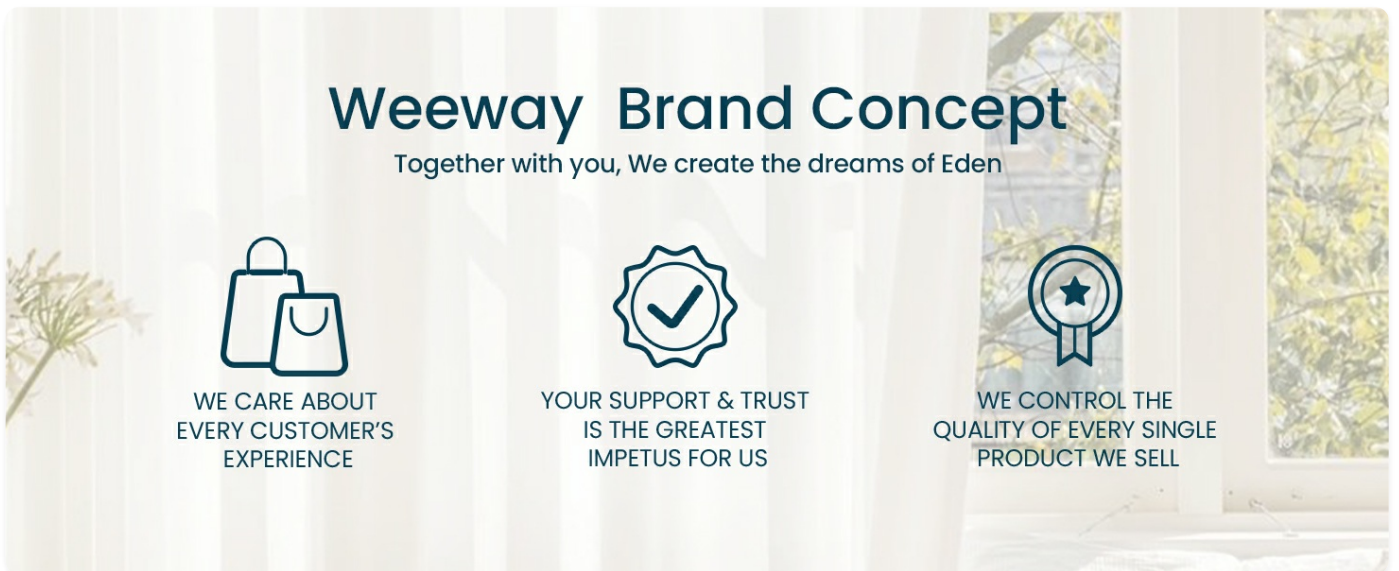


Image 7.2: Summary of key product specifications.

8. WARRANTY INFORMATION

WEEWAY products are manufactured to high-quality standards. For specific warranty details regarding your bed frame, please refer to the documentation included with your purchase or contact WEEWAY customer support directly. Warranty terms typically cover manufacturing defects under normal use.

9. CUSTOMER SUPPORT

Should you have any questions, require assistance with assembly, or need to report a missing/damaged part, please contact WEEWAY customer support. You can typically find contact information on the packaging, in the included manual, or by visiting the official WEEWAY store on Amazon:

[Visit the WEEWAY Store on Amazon](#)

Please have your model number (7227-2) and purchase details ready when contacting support to ensure a swift resolution.

© 2024 WEEWAY. All rights reserved.