

[Manuals.plus](#) /

> [vidaXL](#) /

> vidaXL 27x15x22.8 inch Foldable Bamboo Luggage Rack User Manual

vidaXL 27x15x22.8 Foldable Luggage Rack

vidaXL Foldable Bamboo Luggage Rack User Manual

Model: 27"x15"x22.8"

1. INTRODUCTION

Thank you for choosing the vidaXL Foldable Bamboo Luggage Rack. This manual provides essential information for the safe assembly, operation, and maintenance of your new luggage rack. Please read it thoroughly before use and retain it for future reference.



Image 1.1: The vidaXL Foldable Bamboo Luggage Rack in use, supporting a suitcase.

2. SAFETY INFORMATION

- **Maximum Load Capacity:** Do not exceed the maximum load of **70 kg (154 lbs)**. Overloading can cause damage to the rack and potential injury.
- **Stable Surface:** Always place the luggage rack on a flat, stable, and level surface to prevent tipping.
- **Children and Pets:** Keep children and pets away from the luggage rack during assembly and when in use to prevent accidents.
- **Assembly:** Ensure all parts are correctly assembled and tightened before use. Refer to the assembly instructions.
- **Folding Mechanism:** Exercise caution when folding or unfolding the rack to avoid pinching fingers.
- **Material Care:** Avoid exposing the bamboo to excessive moisture or direct sunlight for prolonged periods to prevent warping or damage.

3. PACKAGE CONTENTS

Please check the package contents carefully to ensure all parts are present and undamaged. If any parts are missing or damaged, contact customer support.

- Foldable Bamboo Frame (1 unit)
- Fabric Straps (4 pre-attached)
- Assembly Hardware (if required, typically pre-assembled for foldable design)
- Instruction Manual (this document)

4. SETUP AND ASSEMBLY

The vidaXL Foldable Bamboo Luggage Rack is designed for minimal assembly. It typically arrives pre-assembled and only requires unfolding for use.

1. **Unpacking:** Carefully remove all components from the packaging.
2. **Unfolding:** Place the folded luggage rack on a flat surface. Gently pull the two main frame sections apart until the rack is fully extended and stable. Ensure the cross-braces are locked into position (if applicable to your model).
3. **Stability Check:** Before placing any items on the rack, gently press down on the top straps to ensure it is stable and does not wobble.



Image 4.1: The luggage rack in its unfolded, ready-to-use position.

5. OPERATING INSTRUCTIONS

Using your vidaXL Foldable Bamboo Luggage Rack is straightforward.

1. **Placement:** Position the luggage rack in a convenient location, ensuring it is on a stable, level surface and not obstructing walkways.
2. **Loading:** Carefully place your suitcase or bag onto the sturdy fabric straps on the top of the rack. Distribute the weight evenly. Do not exceed the maximum load capacity of 70 kg.
3. **Unloading:** Remove your luggage from the rack when finished.

4. **Folding for Storage:** To fold the rack, gently push the two main frame sections towards each other until the rack collapses into its compact form. Store in a dry place.

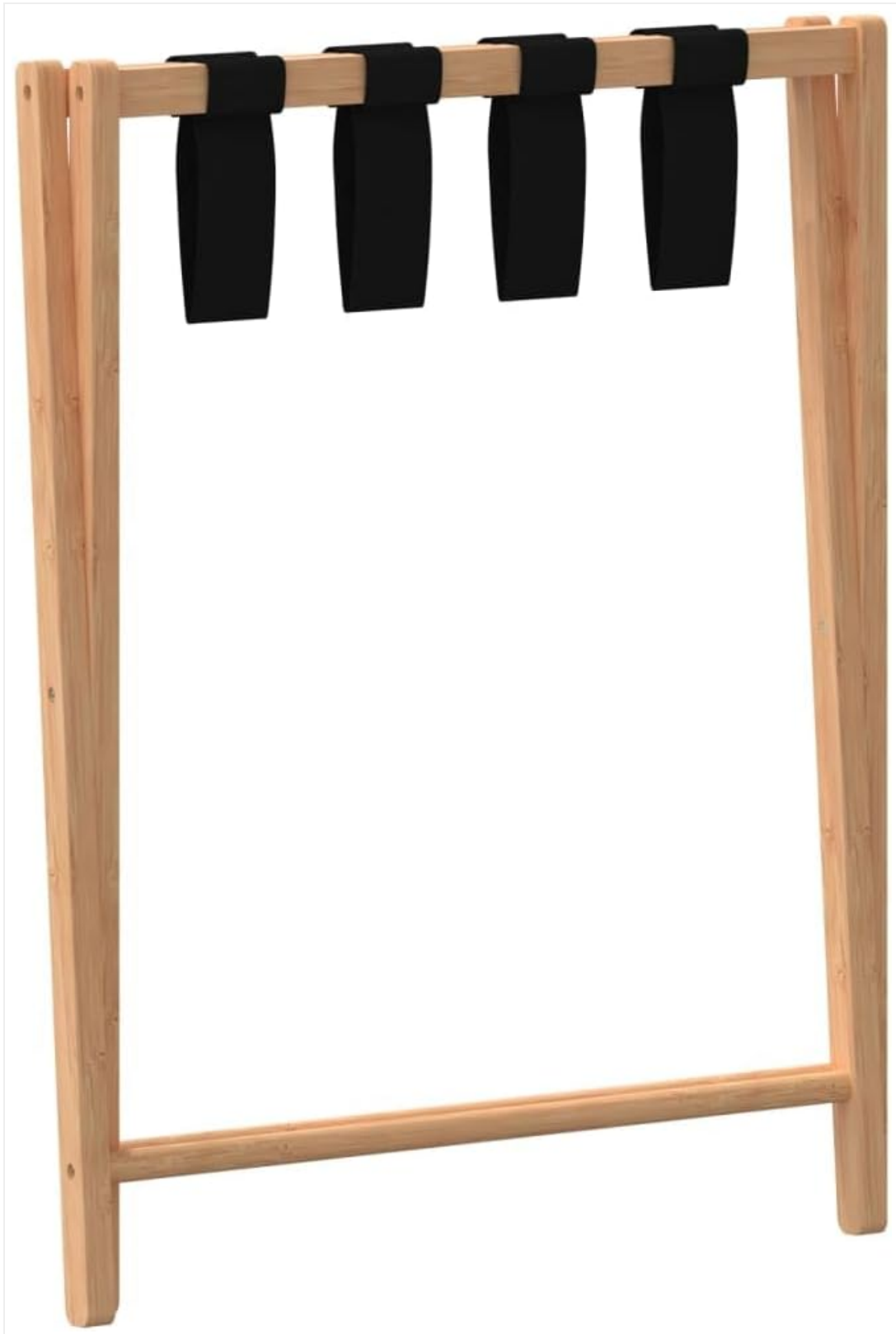


Image 5.1: The luggage rack in its folded position, ready for compact storage.

6. MAINTENANCE

Proper maintenance will ensure the longevity of your luggage rack.

- **Cleaning:** Wipe the bamboo frame with a soft, damp cloth. Avoid abrasive cleaners or harsh chemicals. The fabric straps can be spot cleaned with mild soap and water if necessary.

- **Drying:** Ensure the rack is completely dry before folding and storing to prevent mold or mildew.
- **Inspection:** Periodically check all joints and straps for wear and tear. If any part is damaged, discontinue use and consider replacement.
- **Storage:** Store the folded luggage rack in a cool, dry place away from direct sunlight and extreme temperature fluctuations.



Image 6.1: Detail of the bamboo frame and fabric straps, highlighting the materials for care.

7. TROUBLESHOOTING

Problem	Possible Cause	Solution
Rack wobbles or feels unstable.	Not fully unfolded; placed on an uneven surface; loose joints.	Ensure the rack is fully extended and locked. Move to a flat, level surface. Check for any loose screws (though typically pre-assembled, check for manufacturing defects).
Difficulty folding/unfolding.	Mechanism stiff; obstruction.	Apply gentle, even pressure. Check for any debris or foreign objects obstructing the hinges. Do not force.
Straps appear loose or damaged.	Normal wear and tear; excessive load.	Discontinue use if straps are significantly damaged. Ensure load does not exceed 70 kg. Contact customer support for replacement options if available.

8. SPECIFICATIONS

Model: Foldable Luggage Rack

Brand: vidaXL

Material: Bamboo with water-based finish, fabric (100% polypropylene)

Color: Brown (Natural Bamboo)

Dimensions (L x W x H): 68.5 x 38 x 58 cm (26.97 x 14.96 x 22.83 inches)

Maximum Load Capacity: 70 kg (154 lbs)

Item Weight: 2.1 Kilograms (4.6 lbs)

Assembly Required: Yes (minimal unfolding)

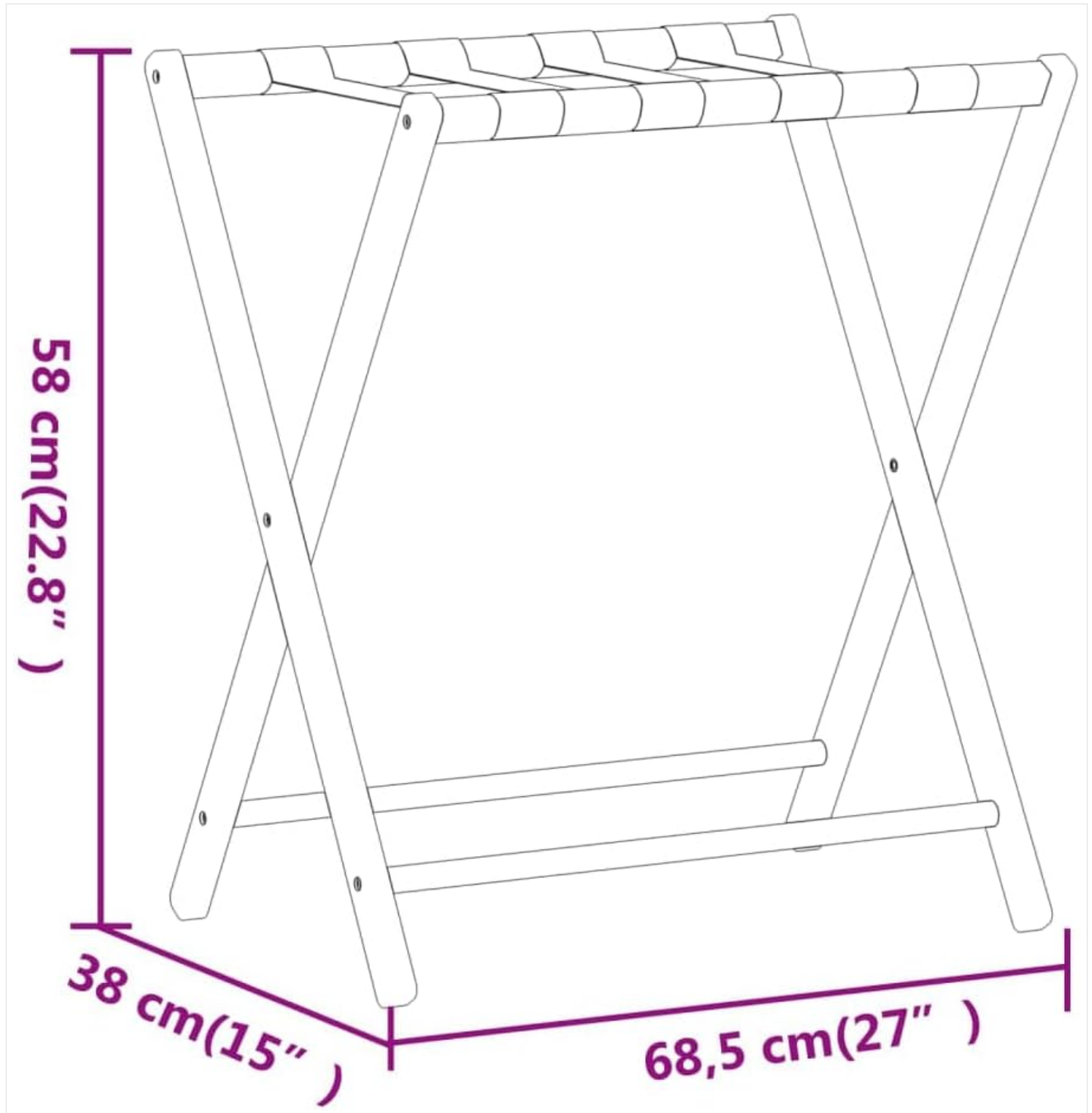


Image 8.1: Dimensional diagram of the luggage rack.

9. WARRANTY AND SUPPORT

For warranty information, product support, or to inquire about replacement parts, please visit the official vidaXL website or contact their customer service directly. Keep your purchase receipt as proof of purchase.

vidaXL Official Website: www.vidaxl.com



© 2026 vidaXL. All rights reserved.
This manual is subject to change without notice.