

[Manuals.plus](#) /

> [Knocokie](#) /

> Instruction Manual for Knocokie WR71X10409 Refrigerator Door Shelf Bin

Knocokie WR71X10409

Instruction Manual for WR71X10409 Refrigerator Door Shelf Bin

Brand: Knocokie | Model: WR71X10409

INTRODUCTION

This manual provides detailed instructions for the installation, usage, and maintenance of your new Knocokie WR71X10409 Refrigerator Door Shelf Bin. This replacement part is designed to be compatible with various GE refrigerator models, ensuring a perfect fit and restoring your refrigerator's storage capacity. Please read this manual thoroughly before installation to ensure proper fit and function.



Image: The Knocokie WR71X10409 Refrigerator Door Shelf Bin, a clear and white plastic component designed for refrigerator door storage.

SETUP AND INSTALLATION

Before beginning installation, ensure your refrigerator is unplugged for safety. This door shelf bin is a direct replacement part and typically snaps into place without the need for tools.

1. Verify Compatibility and Part Number

It is crucial to confirm that this shelf bin is compatible with your specific GE refrigerator model. This part is compatible with WR71X10409, PS651958, 945716, AP3185150, EAP651958, and AH651958.

Please note:



**Compatible only with these replacement models:
WR71X10409,945716,AP3185150,PS651958,EAP651958,AH651958**



**Please confirm in detail before purchasing
Prevent buying mistakes, cause unnecessary trouble**

Image: Close-up view of the shelf bin's attachment points, highlighting compatibility with specific replacement models like WR71X10409, 945716, AP3185150, PS651958, EAP651958, and AH651958.

PLEASE CHECK!



Warm
prompt

You can press **Ctrl+F** and enter your refrigerator model number to quickly locate if it matches your refrigerator.

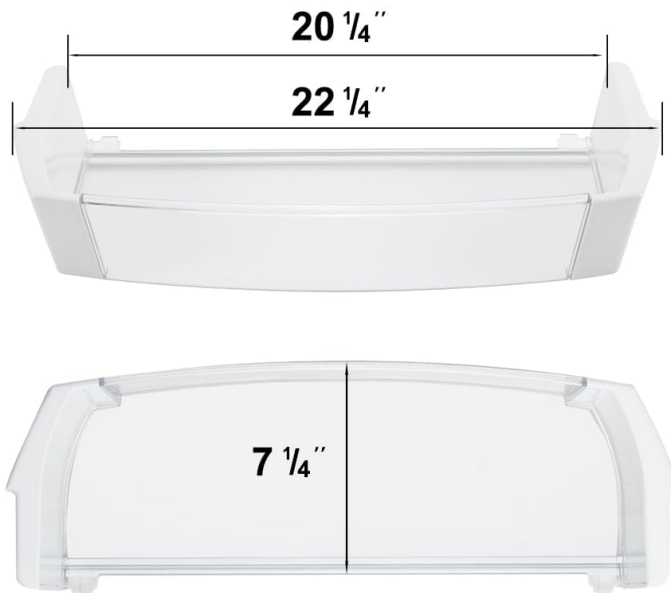
Image: A visual comparison showing the correct WR71X10409 bin (left) versus incompatible models like WR71X25602 and WR71X10410 (right), emphasizing the importance of checking the exact part number.

2. Measure Dimensions

Confirm the dimensions of the new shelf bin match the space in your refrigerator door. The WR71X10409 measures approximately 22 1/4 inches in width (top), 20 1/4 inches in width (bottom), and 7 1/4 inches in depth.

WR71X10409 Door Shelf Stand size

Please check the size before buying!



Warm
prompt

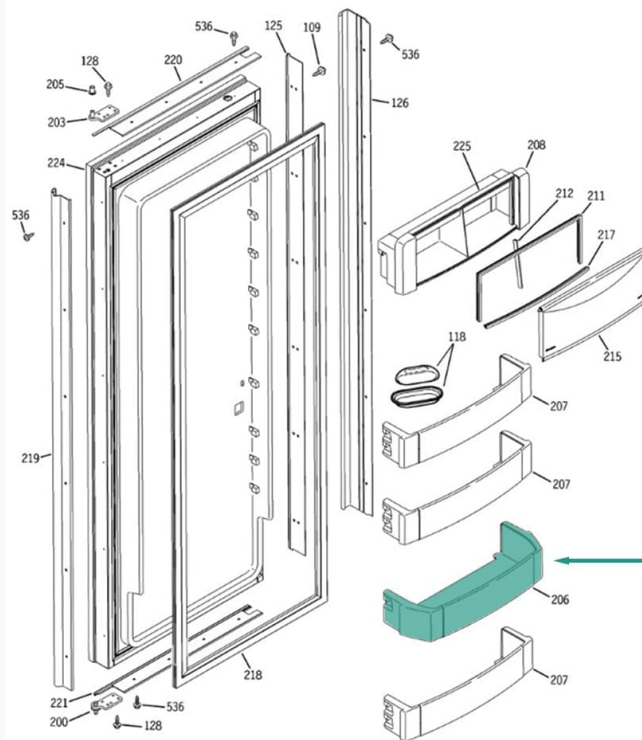
You can press **Ctrl+F** and enter your refrigerator model number to quickly locate if it matches your refrigerator.

Image: Diagram illustrating the dimensions of the WR71X10409 door shelf bin, showing a top width of 22 1/4 inches, a bottom width of 20 1/4 inches, and a depth of 7 1/4 inches.

3. Installation Steps

1. Locate the desired position for the shelf bin on your refrigerator door. Refer to your refrigerator's original manual or existing shelf layout if available.
2. Align the tabs on the back of the new shelf bin with the corresponding slots in the refrigerator door liner.
3. Gently push the shelf bin firmly into place until it clicks securely. Ensure both sides are fully seated and the bin is stable.
4. Test the bin by gently pulling on it to confirm it is locked into position.

WR71X10409 Door Shelf Installation position



PART NUMBER

WR71X10409

PS651958

945716

AP3185150

EAP651958

AH651958



Just be replaced this one position!

Warm
prompt

Please check the installation position carefully before purchasing!

Image: An exploded diagram of a refrigerator door showing the specific installation position for the WR71X10409 door shelf bin, highlighting the exact slot where it should be placed.

Compatible Models

This door shelf bin is compatible with a wide range of GE refrigerator models. Please refer to the table below for a comprehensive list. You can use your browser's search function (Ctrl+F or Cmd+F) to quickly find your model number.

ZIS480 Series	ZISB480 Series	ZISW480 Series	ZISS480 Series	ZISP480 Series
ZIS480NMA	ZISB480DMA	ZISW480DMA	ZISS480DMA	ZISS480NMA
ZIS480NMB	ZISB480DMB	ZISW480DMB	ZISS480DM	ZISS480NMB
ZIS480NMC	ZISB480DMC	ZISW480DMC	ZISS480DMC	ZISS480NMC
ZIS480NMD	ZISB480DMD	ZISW480DMD	ZISS480DMD	ZISS480NMD
ZIS480NRA	ZISB480DRA	ZISW480DRA	ZISS480DRASS	ZISS480NRASS
ZIS480NRB	ZISB480DRB	ZISW480DRB	ZISS480DRBSS	ZISS480NRBSS
ZIS480NRC	ZISB480DRC	ZISW480DRC	ZISS480DRCSS	ZISS480NRCSS
ZIS480NRD	ZISB480DRD	ZISW480DRD	ZISS480DRDSS	ZISS480NRDSS
ZIS480NRE	ZISB480DRE	ZISW480DRE	ZISS480DRESS	ZISS480NRESS
ZIS480NRF	ZISB480DRF	ZISW480DRF	ZISS480DRFSS	ZISS480NRFSS
ZIS480NRG	ZISB480DRG	ZISW480DRG	ZISS480DRGSS	ZISS480NRGSS
ZIS480NRH	ZISB480DRH	ZISW480DRH	ZISS480DRHSS	ZISS480NRHSS
ZIS480NRJ	ZISB480DRI	ZISW480DRI	ZISS480DRISS	ZISS480NRJSS
ZIS480NRK	ZISB480DRJ	ZISW480DRJ	ZISS480DRJSS	ZISS480NRKSS
	ZISB480DRK	ZISW480DRK	ZISS480DRKSS	

Image: A table listing various compatible GE refrigerator models, including ZIS480, ZISB480, ZISW480, ZISS480, and ZISP480 series, for which the WR71X10409 door shelf bin is suitable.

OPERATING (USAGE GUIDELINES)

Once installed, your new door shelf bin is ready for use. It is designed to hold various items, including gallon-sized containers, providing convenient and organized storage within your refrigerator door.

- **Load Distribution:** Distribute items evenly to prevent undue stress on the bin and its mounting points.
- **Weight Capacity:** While durable, avoid overloading the bin with excessively heavy items. Refer to your refrigerator's original manual for specific weight limits for door shelves.
- **Proper Placement:** Ensure items are placed securely within the bin to prevent them from falling out when the door is opened or closed.

CARE AND MAINTENANCE

Regular cleaning of your door shelf bin will help maintain hygiene and extend its lifespan. The bin is made from high-quality, environmentally friendly, and food-grade materials.

Ours:



0.93KG



Food grade material

Others



0.68KG



Ordinary plastic

Careful selection of materials, better quality

Image: A comparison showing the Knocokie shelf bin's weight (0.93KG) and its composition from food-grade material pellets, contrasted with a lighter, ordinary plastic alternative (0.68KG) made from non-food-grade pellets, highlighting the superior material quality.

- **Cleaning:** Remove the bin from the refrigerator door. Wash it with warm water and a mild dish soap. Avoid abrasive cleaners or harsh chemicals, as these can damage the plastic.
- **Drying:** Thoroughly dry the bin with a soft cloth before re-installing it in the refrigerator.
- **Stains:** For stubborn stains, a baking soda paste can be used, then rinsed thoroughly.

TROUBLESHOOTING

Most issues with the door shelf bin are related to installation or compatibility. If you encounter problems, please review the following:

- **Shelf Does Not Fit:** Double-check the model numbers and dimensions. Ensure you have the correct replacement part for your specific refrigerator model. Refer to the 'Compatible Models' section.
- **Shelf Is Loose:** Ensure the bin's tabs are fully aligned with and securely snapped into the slots on the refrigerator door. Apply firm, even pressure during installation.
- **Cracks or Damage:** If the bin arrives damaged, do not attempt to install it. Contact customer support immediately for a replacement.

PRODUCT SPECIFICATIONS

Specification	Detail
Manufacturer	Knocokie
Part Number	WR71X10409
Item Model Number	WR71X10409
Item Weight	2.05 pounds (approx. 0.93 kg)
Product Dimensions	22.8 x 7.3 x 4.25 inches
Color	White
Item Package Quantity	1
Material	Environmentally friendly, food-grade plastic

WARRANTY AND CUSTOMER SUPPORT

The Knocokie WR71X10409 Refrigerator Door Shelf Bin comes with a **1-year manufacturer's warranty**. This warranty covers defects in materials and workmanship under normal use.

If you experience any issues with your product or have questions not covered in this manual, please contact our customer support team. We are committed to providing high-quality products and excellent service.

Customer Support: Please refer to your purchase documentation or the retailer's website for specific contact information.