

Manuals+

[Q & A](#) | [Deep Search](#) | [Upload](#)

manuals.plus /

> [EUGAD](#) /

> [EUGAD 1056BY-1 Velvet Adjustable Swivel Bar Stool Instruction Manual](#)

EUGAD 1056BY-1

EUGAD 1056BY-1 Velvet Adjustable Swivel Bar Stool Instruction Manual

Model: 1056BY-1



1. INTRODUCTION

This manual provides detailed instructions for the assembly, operation, and maintenance of your EUGAD 1056BY-1 Velvet Adjustable Swivel Bar Stool. Please read these instructions carefully before assembly and use to ensure safe and correct operation.

1.1 Safety Information

Please observe the following safety guidelines to prevent injury or damage:

- Always use the bar stool on a flat, stable, and level surface.
- Do not exceed the maximum weight capacity of 150 kg (330 lbs).
- Ensure all screws and connections are securely tightened before use and periodically check for looseness.
- Keep hands and fingers clear of moving parts during height adjustment.
- Do not stand on the stool.
- Avoid sudden movements or leaning excessively, which could cause the stool to tip over.
- Keep children away from the assembly area and do not allow them to play with the stool.

2. COMPONENTS OVERVIEW

Before beginning assembly, verify that all parts are present and undamaged. Refer to the diagram below for identification of components.



Figure 2.1: Key components of the EUGAD 1056BY-1 Bar Stool.

- **Seat:** Velvet upholstered seat with shell-shaped backrest.
- **Gas Lift Cylinder:** For height adjustment.
- **Base:** Round metal base for stability.
- **Footrest:** Integrated metal footrest.
- **Lever:** For activating the gas lift mechanism.
- **Mounting Plate:** Connects the seat to the gas lift.
- **Screws and Tools:** Required for assembly.

3. ASSEMBLY INSTRUCTIONS

Follow these steps to assemble your EUGAD bar stool. It is recommended to assemble the stool on a soft, clean surface to prevent scratches.

1. **Prepare the Base:** Place the round metal base (A) on a flat surface. Ensure the rubber anti-slip ring is correctly

positioned on the bottom of the base to protect your floor.

2. **Insert the Gas Lift:** Remove the protective cap from the top of the gas lift cylinder (B). Insert the wider end of the gas lift cylinder into the central hole of the base (A).
3. **Attach the Footrest:** Slide the footrest (C) over the gas lift cylinder (B). Ensure it is oriented correctly.
4. **Mount the Seat Plate:** Attach the metal mounting plate (D) to the underside of the seat (E) using the provided screws (F). Ensure the lever mechanism faces the back of the seat. Tighten all screws firmly.
5. **Connect Seat to Gas Lift:** Carefully place the assembled seat (E) with the mounting plate onto the top of the gas lift cylinder (B). Press down firmly to secure the connection.
6. **Final Check:** Once assembled, gently sit on the stool to ensure all components are properly seated and stable. Test the height adjustment and swivel functions.

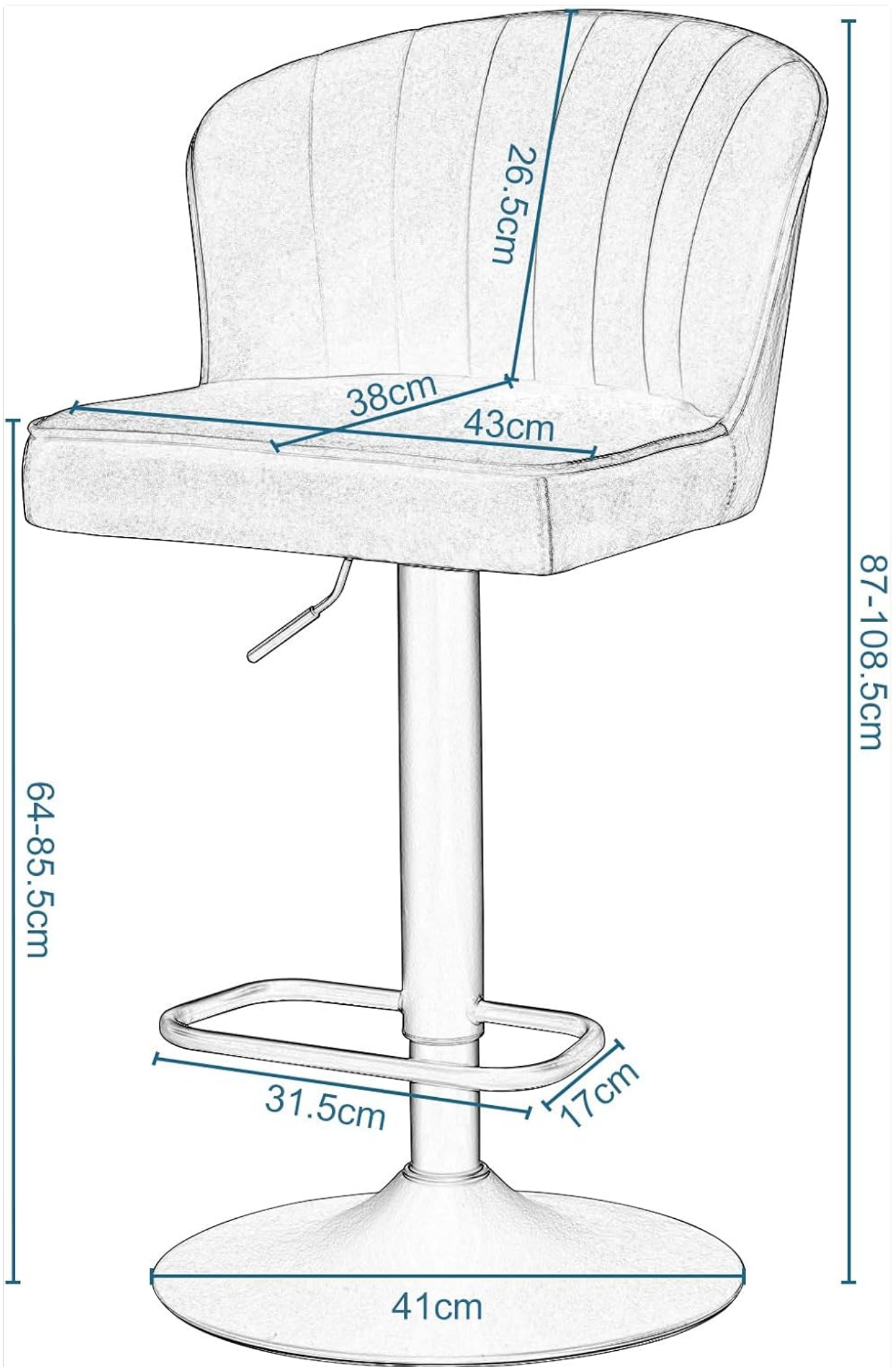


Figure 3.1: Dimensional overview of the assembled bar stool.

4. OPERATING INSTRUCTIONS

4.1 Height Adjustment

The EUGAD 1056BY-1 bar stool features a gas lift mechanism for easy height adjustment.

- **To Raise the Seat:** While standing, pull the lever upwards. The seat will automatically rise. Release the lever when the desired height is reached.
- **To Lower the Seat:** While seated, pull the lever upwards. The seat will lower under your body weight. Release the lever when the desired height is reached.



Figure 4.1: Demonstrating height adjustment and 360-degree swivel.

4.2 Swivel Function

The seat of the bar stool can rotate 360 degrees, allowing for flexible movement and interaction.

- Simply rotate the seat in any direction while seated or standing.

5. MAINTENANCE

Regular maintenance will help prolong the life and appearance of your bar stool.

- **Cleaning the Velvet Upholstery:** Gently vacuum the velvet fabric regularly to remove dust and debris. For spills, blot immediately with a clean, dry cloth. For stubborn stains, use a mild upholstery cleaner following the product instructions, testing on an inconspicuous area first. Do not rub vigorously.
- **Cleaning the Metal Parts:** Wipe metal surfaces with a soft, damp cloth. Avoid abrasive cleaners or harsh chemicals, as these can damage the finish.
- **Checking Connections:** Periodically check all screws and bolts to ensure they remain tight. Re-tighten if necessary to maintain stability and safety.
- **Floor Protection:** Ensure the rubber anti-slip ring on the base is intact and clean to prevent scratches on your floor.

6. TROUBLESHOOTING

If you encounter any issues with your bar stool, refer to the following common problems and solutions:

- **Stool is unstable/wobbly:**
 - Ensure all assembly screws are fully tightened.
 - Verify the stool is on a flat and even surface.
 - Check that the gas lift cylinder is properly seated in both the base and the seat plate.
- **Height adjustment not working:**
 - Ensure the protective cap has been completely removed from the gas lift cylinder during assembly.
 - Check if the lever mechanism is properly connected to the gas lift.
 - If lowering, ensure you are seated on the stool to apply sufficient weight. If raising, ensure you are standing.
- **Squeaking noises:**
 - Tighten all screws.
 - Apply a small amount of silicone spray to the contact points between the gas lift and the base/seat plate if the noise persists.

7. SPECIFICATIONS

Feature	Detail
Model Number	1056BY-1
Brand	EUGAD
Color	Dark Grey
Material	Velvet (Upholstery), Metal (Base, Frame)
Overall Dimensions (L x W x H)	38 x 43 x 87-108.5 cm (approximately 15 x 17 x 34.2-42.7 inches)

Feature	Detail
Seat Height Range	64 - 85.5 cm (approximately 25.2 - 33.7 inches)
Seat Width	43 cm (approximately 17 inches)
Seat Depth	38 cm (approximately 15 inches)
Backrest Height	26.5 cm (approximately 10.4 inches)
Base Diameter	41 cm (approximately 16.1 inches)
Item Weight	8.7 kg (approximately 19.2 lbs)
Maximum Weight Recommendation	150 kg (approximately 330 lbs)
Features	Adjustable Height, Swivel, Footrest, Backrest

8. WARRANTY AND SUPPORT

For information regarding warranty coverage, spare parts, or technical support, please contact EUGAD customer service directly. Refer to your purchase documentation or the EUGAD official website for contact details.

Please have your model number (1056BY-1) and purchase date available when contacting support.

