



[Manuals.plus](#) /

> [WOODEEM](#) /

> WOODEEM Black Nightstand with 3 Drawers Instruction Manual (Model WD203684W)

WOODEEM WD203684W

WOODEEM Black Nightstand with 3 Drawers Instruction Manual

Model: WD203684W

1. INTRODUCTION

This manual provides detailed instructions for the assembly, operation, maintenance, and troubleshooting of your WOODEEM Black Nightstand with 3 Drawers (Model WD203684W). Please read this manual thoroughly before assembly and use to ensure proper function and safety.



Image 1.1: The WOODDEEM Black Nightstand, featuring three fluted drawers and gold handles.

2. SAFETY INFORMATION

Warning: Keep fingers away from drawer openings when in use. Always ensure the table is stable and properly anchored to prevent tipping. Failure to follow these instructions may result in injury or damage to the product.

- Do not overload drawers.

- Place the nightstand on a flat, stable surface.
- Keep small parts away from children during assembly.
- Regularly check all fasteners to ensure they remain tight.

3. PACKAGE CONTENTS

Before beginning assembly, verify that all parts listed below are present and undamaged. If any parts are missing or damaged, please contact customer support.

- Top Panel
- Side Panels (2)
- Back Panel
- Drawer Fronts (3)
- Drawer Sides (6)
- Drawer Backs (3)
- Drawer Bottoms (3)
- Legs (4)
- Gold Handles (3)
- Metal Drawer Slides (6 pairs)
- Assembly Hardware (screws, dowels, cam locks, etc.)

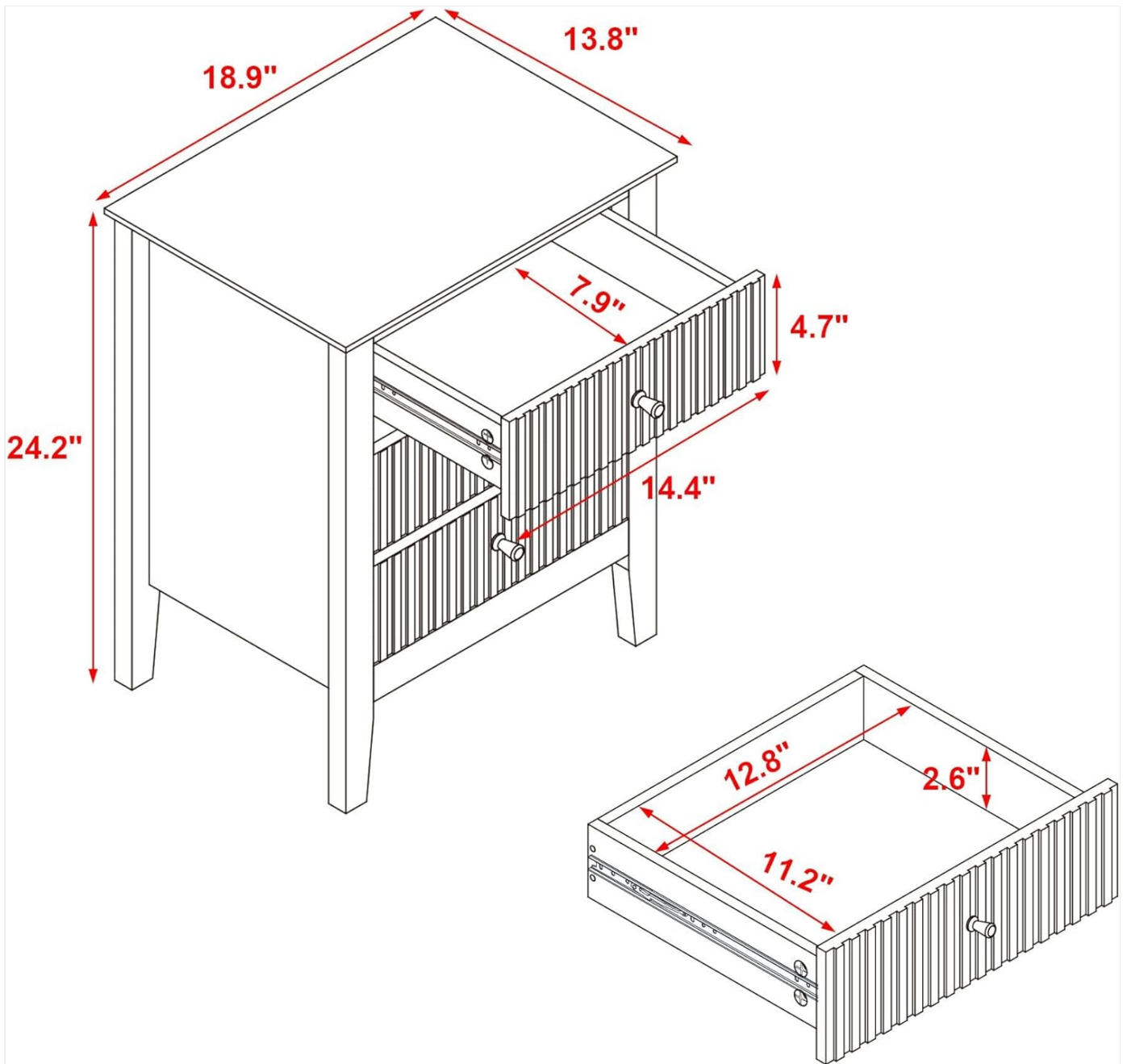


Image 3.1: Diagram illustrating the overall dimensions of the nightstand and internal drawer measurements.

4. SETUP AND ASSEMBLY INSTRUCTIONS

Assembly typically requires a screwdriver. Follow the numbered steps provided in the included assembly guide. It is recommended to assemble the nightstand on a soft, clean surface to prevent scratches.

1. **Step 1: Attach Legs to Base.** Secure the four legs to the bottom panel using the provided screws.
2. **Step 2: Assemble Frame.** Connect the side panels, back panel, and top panel to form the main frame of the nightstand. Ensure all cam locks and dowels are securely fastened.
3. **Step 3: Install Drawer Slides.** Attach the metal drawer slides to the interior of the nightstand frame according to the pre-drilled holes. Ensure they are level and aligned.
4. **Step 4: Assemble Drawers.** Construct each of the three drawers by connecting the drawer sides, back, and bottom to the drawer front.
5. **Step 5: Attach Drawer Handles.** Secure the gold handles to the front of each assembled drawer.
6. **Step 6: Insert Drawers.** Carefully slide each assembled drawer onto its respective metal slides within the nightstand frame.

Tools Recommended: Screwdriver.

UV WATER-BASED PAINTS WEAR RESISTANT & ECO-FRIENDLY



Image 4.1: Detail showing the smooth metal drawer slides and the UV water-based paint finish.

5. OPERATING INSTRUCTIONS

The WOODEEM nightstand is designed for residential use and provides convenient storage with its three smooth-gliding drawers.

- **Drawer Use:** To open a drawer, gently pull the gold handle. To close, push the drawer firmly until it is fully seated. The 2-section metal sliders ensure quiet and smooth operation.
- **Storage Capacity:** Each drawer measures approximately 12.5" x 11.8" internally, suitable for legal-sized files or various personal items. The top panel can hold an alarm clock, phone, charger, and eyeglasses.
- **Weight Limit:** The nightstand has a maximum weight recommendation of 45 pounds for the top surface and 25 pounds per drawer. Do not exceed these limits.

3 SLIDE-OUT DRAWERS LARGER STORAGE CAPACITY



Image 5.1: Illustration of the nightstand's three slide-out drawers, highlighting storage capacity and MDF wood construction.

6. MAINTENANCE

Proper care will extend the life and appearance of your nightstand.

- **Cleaning:** Wipe with a dry cloth. Avoid abrasive cleaners or harsh chemicals that may damage the Eco UV Painted finish.
- **Spills:** Immediately wipe up any spills with a dry cloth to prevent staining or damage to the engineered wood.
- **Hardware:** Periodically check and tighten all screws and fasteners to ensure stability.
- **Environment:** Avoid placing the nightstand in direct sunlight or near heat sources to prevent warping or fading.

7. TROUBLESHOOTING

Problem	Possible Cause	Solution
Drawers stick or do not slide smoothly.	Misaligned drawer slides or loose fasteners.	Check that drawer slides are correctly installed and all screws are tight. Ensure no obstructions are in the slide path.
Nightstand wobbles.	Uneven floor or loose leg attachments.	Ensure the nightstand is on a level surface. Tighten all leg attachment screws.
Missing parts during assembly.	Packaging error.	Contact customer support with your order date and a description of the missing parts.

8. SPECIFICATIONS

Brand: WOODEEM

Model Number: WD203684W

Color: Black

Product Dimensions (D x W x H): 13.8" x 18.9" x 24.2"

Item Weight: 27.8 Pounds

Maximum Weight Recommendation: 45 Pounds (top surface)

Material Type: Engineered Wood (MDF)

Handle Material: Brass

Number of Drawers: 3

Finish Type: Eco UV Painted

Indoor/Outdoor Usage: Indoor

Specific Uses For Product: Residential Use

Size Information

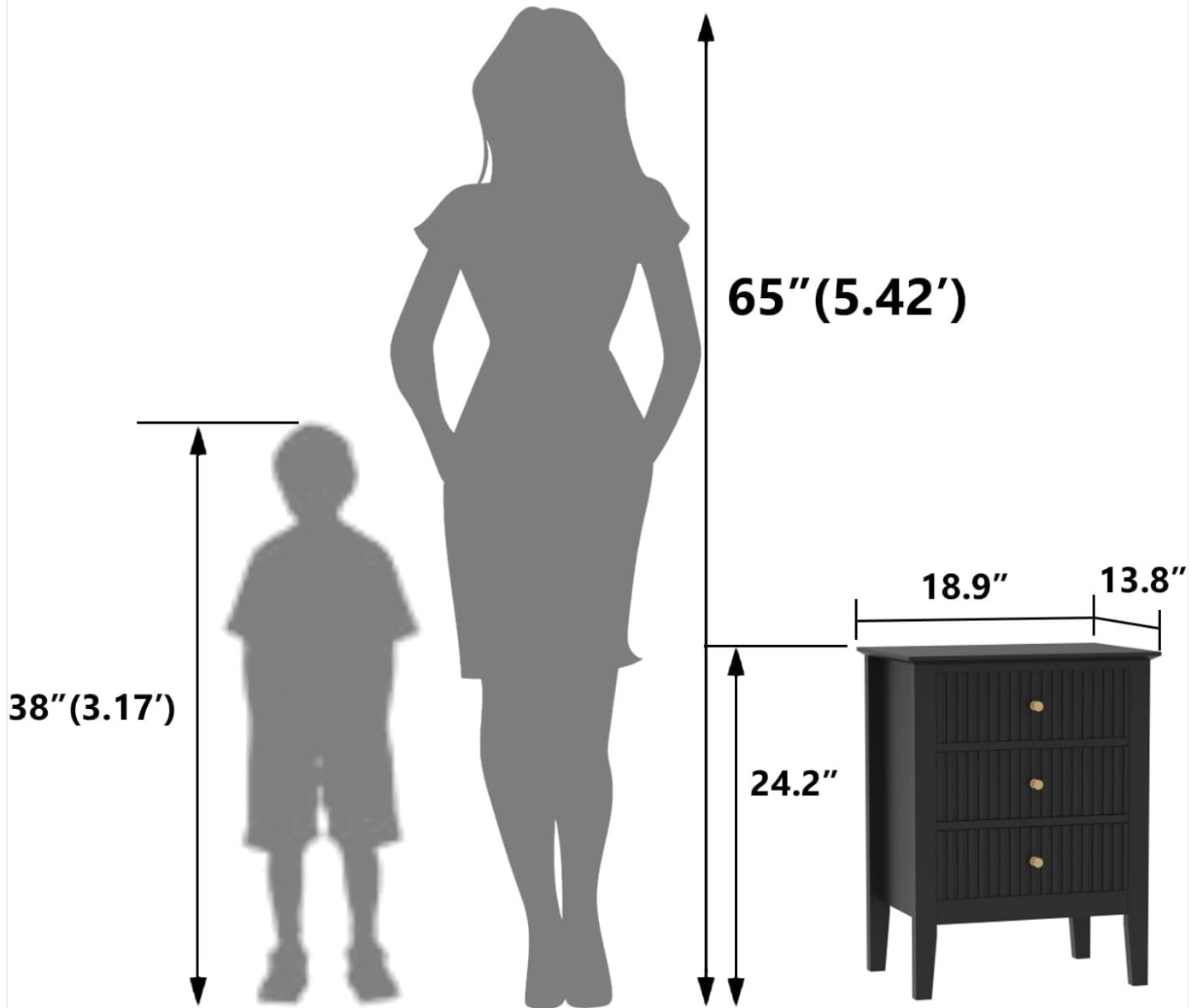


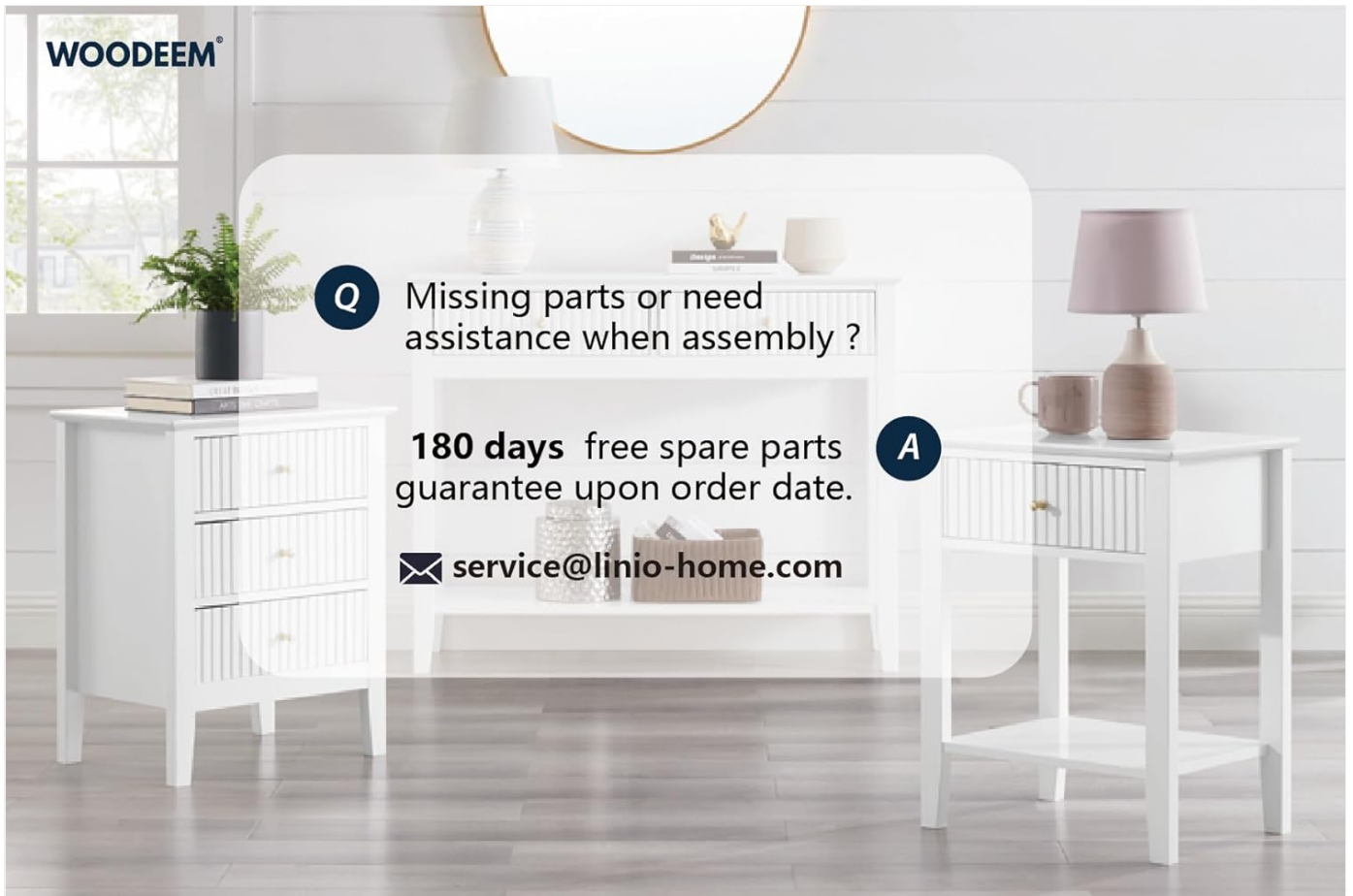
Image 8.1: Visual representation of the nightstand's height in comparison to adult and child figures.

9. WARRANTY AND SUPPORT

Warranty: This product comes with a 12-month warranty from the date of purchase, covering manufacturing defects.

Customer Support: For missing parts or assistance with assembly, WOODDEEM offers a 180-day free spare parts guarantee upon the order date. Please contact us via email:

service@linio-home.com



Q Missing parts or need assistance when assembly ?

180 days free spare parts guarantee upon order date.

✉ service@linio-home.com

A

Image 9.1: Customer support contact details for missing parts or assembly assistance.

