

[Manuals.plus](#) /

› [Vallecloud](#) /

› Vallecloud 1/2 Inch Overlay Matte Black Self-Closing Cabinet Hinges Instruction Manual

Vallecloud 52193a5c-3d19-40de-adf0-515c5e579b00

Vallecloud 1/2 Inch Overlay Matte Black Self-Closing Cabinet Hinges

Model: 52193a5c-3d19-40de-adf0-515c5e579b00

INTRODUCTION

This manual provides detailed instructions for the installation, operation, and maintenance of your Vallecloud 1/2 Inch Overlay Matte Black Self-Closing Cabinet Hinges. Please read these instructions carefully before installation to ensure proper function and longevity of your hinges.

SETUP AND INSTALLATION

These hinges are designed for face frame cabinets with a 1/2 inch overlay. Screws are included for installation.

1. Identify Your Cabinet Door Type

Before installation, it is crucial to identify whether your cabinet door is an overlay type or an inset type. These hinges are specifically for overlay doors.

Is This the Right Hinge for You?

Overlay Hinge

- 1 Back of Cabinet Door is Flat



2



3/8" Inset Hinge

- 1 There is a Step on the Back of Cabinet Door



2



Image: This diagram illustrates the difference between an overlay cabinet door (flat back) and a partial inset cabinet door (with a step on the back). Vallecoud 1/2 inch overlay hinges are suitable for overlay cabinet doors.

An overlay cabinet door has a flat back surface that rests over the cabinet frame when closed. A partial inset cabinet door has a step on its back surface, allowing it to sit partially within the cabinet frame. Ensure your cabinet door is an overlay type for these hinges.

2. Installation Steps

Follow these steps to install the hinges:

1. **Prepare the Door:** Place the cabinet door on a stable, flat surface. Position the hinge on the back of the cabinet door, aligning it with any existing screw holes if replacing old hinges. If installing new, ensure proper spacing (typically two hinges per standard door).
2. **Attach Hinge to Door:** Use the provided flat head screws to secure the hinge to the back of the cabinet door. Ensure the hinge is flush and securely fastened.
3. **Position the Door:** Hold the cabinet door in its closed position against the cabinet frame. Adjust its position to ensure proper alignment and desired overlay.
4. **Attach Hinge to Frame:** Use the provided oval head screws to secure the hinge to the cabinet frame. Ensure the door opens and closes smoothly without binding.
5. **Test and Adjust:** Open and close the door several times to verify smooth operation and proper self-closing function. Make minor adjustments to screw tightness or hinge position if necessary.



Image: This image demonstrates the correct placement of oval head screws for the cabinet frame and flat head screws for the door panel during hinge installation.

3. Visual Installation Guide

For a visual demonstration of hinge selection and installation, please refer to the official Vallecoud video below:

Your browser does not support the video tag.

Video: This official Vallecoud video provides a step-by-step guide on how to choose between overlay and 3/8 inch inset hinges, and demonstrates the installation process for both types.

OPERATION

These Vallecoud hinges feature a self-closing mechanism. This means that when the cabinet door is opened to an angle less than 30 degrees, the hinges will automatically pull the door shut. Please note that these are **not** soft-close hinges, so they do not provide a dampened closing action.

MAINTENANCE

To ensure the longevity and smooth operation of your Vallecoud cabinet hinges, consider the following maintenance tips:

- **Cleaning:** Wipe the hinges periodically with a soft, damp cloth to remove dust and grime. Avoid abrasive

cleaners or harsh chemicals that could damage the finish.

- **Lubrication:** If the hinges begin to squeak or feel stiff, apply a small amount of silicone-based lubricant to the pivot points. Avoid oil-based lubricants as they can attract dust.
- **Tighten Screws:** Periodically check all mounting screws and tighten them if they have become loose. This prevents sagging doors and ensures proper closing.

TROUBLESHOOTING

Here are solutions to common issues you might encounter:

- **Door Not Closing Fully:** Check for obstructions around the door or frame. Ensure the hinges are properly aligned and securely fastened. Loose screws can cause misalignment.
- **Door Sags or is Uneven:** This is typically caused by loose mounting screws. Tighten all screws on both the door and the cabinet frame. If the issue persists, the hinge might be damaged and require replacement.
- **Squeaking Noise:** Apply a small amount of silicone lubricant to the hinge pins and pivot points. Open and close the door several times to distribute the lubricant.
- **Hinge Feels Stiff:** Ensure no paint or debris is interfering with the hinge mechanism. Lubricate as described above.

SPECIFICATIONS

Feature	Detail
Brand	Vallecloud
Model Number	52193a5c-3d19-40de-adf0-515c5e579b00
Material	Steel
Finish Type	Matte Black
Mounting Type	Door Mount, Flush Mount
Hole Count	2
Number of Items	4 (2 pairs)

Match old hinge pattern, Easy to install



This surface is **flat**.
NO STEP.

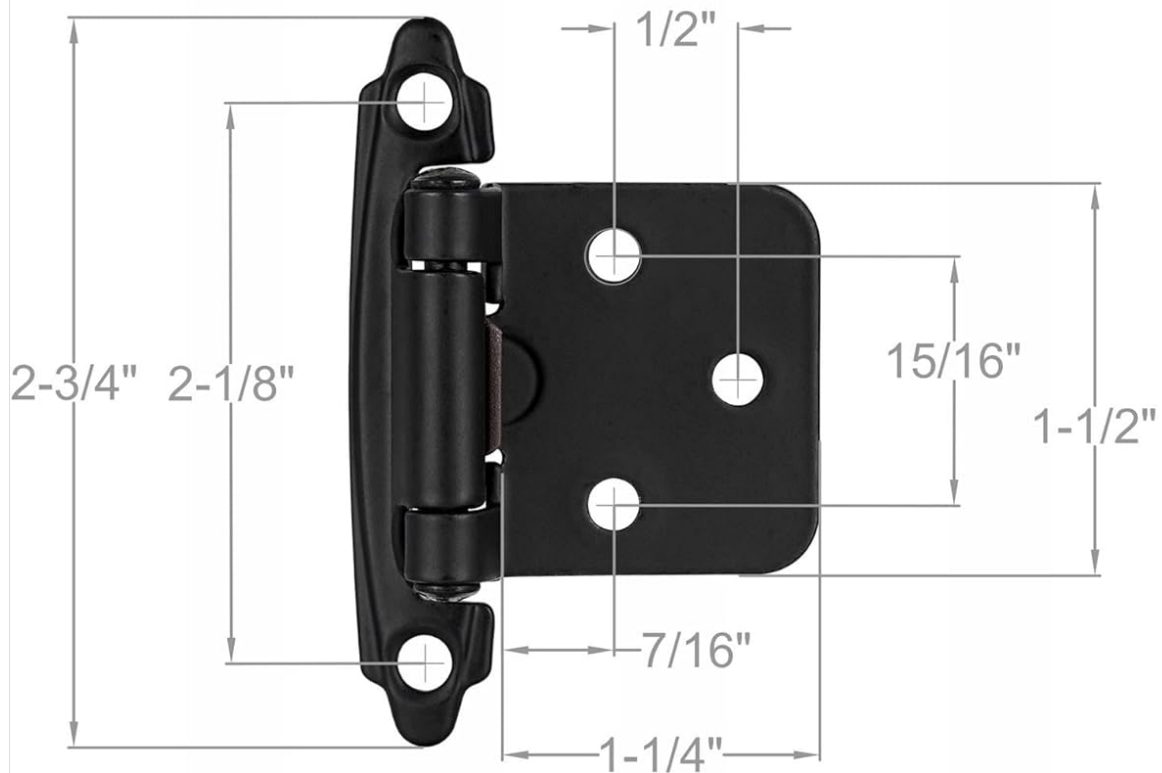


Image: Detailed diagram illustrating the dimensions of the Vallecoud 1/2 inch overlay cabinet hinge.



Image: This image displays four different perspectives of the Matte Black Self-Closing Cabinet Hinge, highlighting its design and features.

WARRANTY INFORMATION

Vallecloud products are manufactured to high-quality standards. This product is covered by the manufacturer's standard warranty against defects in materials and workmanship. For specific warranty terms and conditions, please refer to the product packaging or contact Vallecloud customer support.

CUSTOMER SUPPORT

If you have any questions, require assistance with installation, or need to troubleshoot an issue not covered in this manual, please contact Vallecloud customer support through the retailer where you purchased the product or visit the official Vallecloud website for contact information.