



Manuals.plus /

- › ZEAPON /
- › ZEAPON AXIS 80 Pro Multi-axis Motorized Camera Slider Instruction Manual

ZEAPON AXIS

ZEAPON AXIS 80 Pro Multi-axis Motorized Camera Slider

Instruction Manual

1. PRODUCT OVERVIEW

The ZEAPON AXIS 80 Pro is a multi-axis motorized camera slider designed for professional photography and videography. It features a true dual-axis system for follow focus and surround shooting without complex tuning, an intuitive LCD central control screen, and robust carbon fiber construction.



Figure 1.1: ZEAPON AXIS 80 Pro Multi-axis Motorized Camera Slider with accessories.

2. PACKAGE CONTENTS

Verify that all components are present in the package:

What's in the package

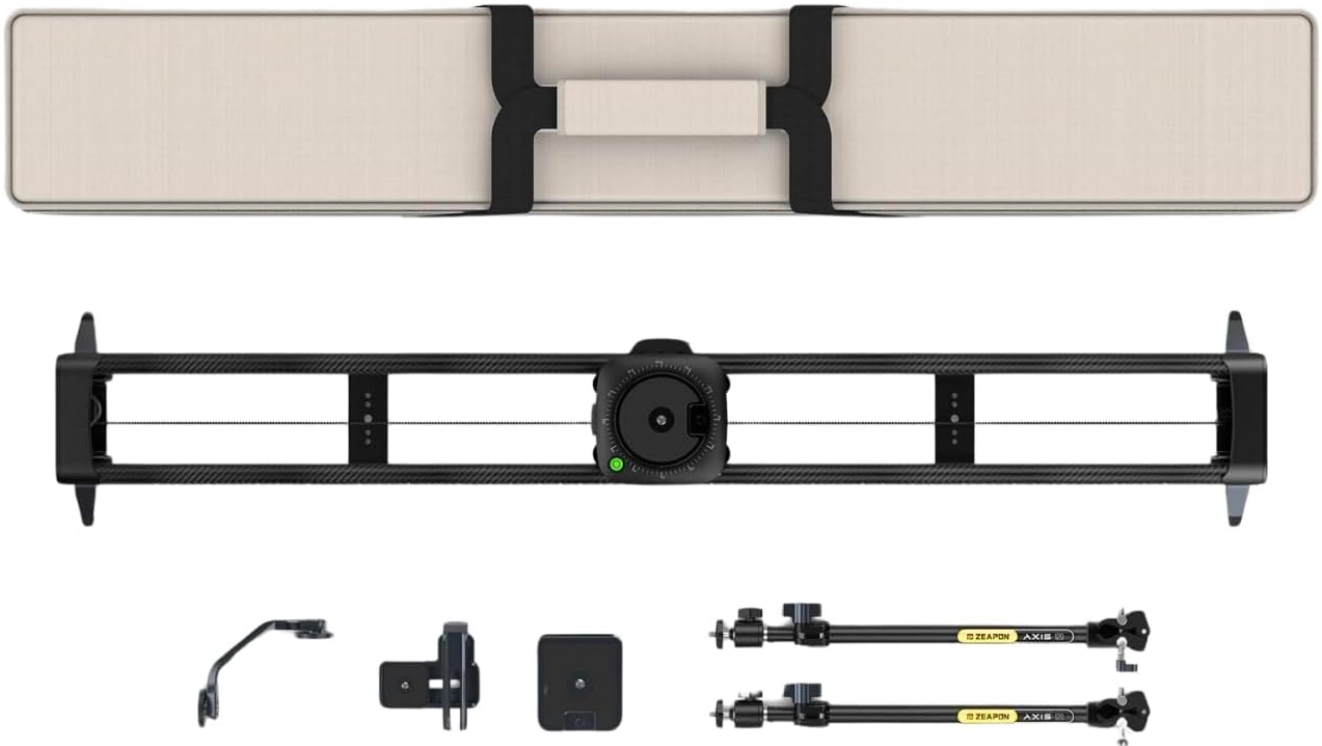


Figure 2.1: Included components in the ZEAPON AXIS 80 Pro package.

- AXIS 80 Pro Motorized Camera Slider
- Integrated Motorized Pan/Tilt Head
- Support Legs
- Carrying Case
- User Manual

3. SETUP

3.1 Mounting the Slider

The AXIS 80 Pro slider can be mounted on a single tripod or two tripods for enhanced stability, especially with heavier loads or extended travel distances. It features multiple 1/4" and 3/8" spring screws for versatile mounting options.



Figure 3.1: Slider mounted on two tripods.

3.2 Powering the Device

The slider is powered by an NPF-550QC battery (not included). Ensure the battery is securely inserted into the designated slot on the slider's control unit.



Figure 3.2: NPF-550QC battery insertion.

3.3 Upgrading to Three-Axis Setup

The pan head of the slider includes a quick-mount interface, allowing compatibility with the PONS motorized pan head and PONS Tilt Arm Kit for a three-axis setup.



Figure 3.3: Key features and upgrade points.

4. OPERATING INSTRUCTIONS

4.1 LCD Central Control Screen

Most slider functions, including adding new devices, can be managed directly through the LCD central control screen. This allows for quick operation using buttons and on-screen options, even without a smartphone app.



Figure 4.1: LCD Central Control Interface.

4.2 Setting Waypoints and Speed

The AXIS multi-axis series features an integrated motorized pan/tilt head that automatically follows focus tracking. Simply set the start (A) and end (B) points for your desired movement. Adjust the total speed and play time using the control dial or the app.

4.3 Seamless Manual Control

By releasing the lock buckle, you can instantly switch the slider to manual mode. This completely separates the belt from the motor, allowing for smooth, unhindered manual movement.

4.4 App Control

The slider can also be controlled via a dedicated smartphone app, offering comprehensive control over all parameters and modes, including video, time-lapse, macro, panorama, and stop-motion. This is particularly useful when the slider is positioned out of reach or for precise adjustments.

4.5 Official Product Video

Your browser does not support the video tag.

Video 4.1: A quick overview of the AXIS Slider's features and operation.

5. FEATURES & CAPABILITIES

- **True Dual Axis:** The integrated motorized pan/tilt head allows for automatic follow focus tracking and surround shooting, eliminating the need for manual tuning regardless of slider or subject placement.
- **11-Layer Full Carbon Fiber Construction:** The carbon fiber tubes are lightweight, high-strength, and offer superior deformation resistance and stability. The tubes are polished five times for smooth and stable operation.
- **High Load Capacity:** The slider supports a maximum vertical load of 3.5kg and a maximum horizontal load of 12kg, accommodating heavy-duty camera equipment. It offers a 23-inch lens travel distance.

6. MAINTENANCE

To ensure the longevity and optimal performance of your ZEAPON AXIS 80 Pro slider, follow these maintenance guidelines:

- Keep the slider rails clean and free from dust and debris. Use a soft, dry cloth for cleaning.
- Avoid exposing the slider to extreme temperatures or moisture.
- Regularly check all screws and connections to ensure they are secure.
- Store the slider in its dedicated carrying case when not in use to protect it from damage.

7. TROUBLESHOOTING

If you encounter any issues with your ZEAPON AXIS 80 Pro slider, refer to the following common troubleshooting steps:

- **Slider not moving:** Check battery level and ensure it is properly inserted. Verify that the slider is not in manual lock mode.
- **Unstable movement:** Ensure the slider is securely mounted on a stable surface or tripod(s). Check that all support legs are properly extended and locked.
- **App connectivity issues:** Ensure Bluetooth is enabled on your smartphone and the slider. Restart both the app and the slider.
- **Unusual noise during operation:** Check for any obstructions on the rails. Ensure the slider is clean and free of debris.

For further assistance, please contact ZEAPON customer support.

8. SPECIFICATIONS

Feature	Specification
Model Number	AXIS
Brand	ZEAPON
Package Dimensions	35.25 x 9 x 8.4 inches
Item Weight	18 pounds
Max Horizontal Load	12 kg
Max Vertical Load	3.5 kg
Lens Travel Distance	23 inches
Folded Size	80cm x 15cm x 15cm (l x w x h)
Compatible Devices	Camcorder, Camera
Color	Black

9. WARRANTY AND SUPPORT

For warranty information, product registration, or technical support, please visit the official ZEAPON website or refer to the warranty card included in your package. Keep your purchase receipt as proof of purchase.

Online Resources:

- ZEAPON Official Store on Amazon