



Manuals.plus /

- › Amposei /
- › Amposei Modern LED Coffee Table with Storage, 51.2" - Instruction Manual

## Amposei B0CFTMF3VV

# Amposei Modern LED Coffee Table with Storage (Model: B0CFTMF3VV) - Instruction Manual

Comprehensive guide for assembly, operation, and maintenance.

## 1. INTRODUCTION

---

This manual provides detailed instructions for the assembly, operation, and maintenance of your Amposei Modern LED Coffee Table with Storage. This contemporary coffee table features a high gloss finish, integrated LED lighting, two drawers, and two open cubbies for organized storage. Please read this manual thoroughly before beginning assembly or operation to ensure proper use and longevity of your product.

## 2. SAFETY INFORMATION

---

- **Assembly:** Assembly may require more than one person. Follow all instructions carefully to avoid injury.
- **Stability:** Ensure the table is placed on a flat, stable surface to prevent tipping.
- **Weight Limit:** Do not exceed the recommended weight capacity for the tabletop or storage compartments. Specific weight limits are not provided, so exercise caution.
- **Electrical Safety:** When connecting the LED lighting system, ensure all connections are secure and follow electrical safety guidelines. Do not expose electrical components to water.
- **Cleaning:** Use only recommended cleaning agents and methods to avoid damaging the high gloss finish or LED components.

## 3. PACKAGE CONTENTS

---

Before beginning assembly, verify that all components are present and undamaged. If any parts are missing or damaged, please contact customer support.

- Table Panels (Engineered Wood, High Gloss Finish)
- Glass Support Panels
- Drawer Components

- LED Lighting System with Remote Control
- Assembly Hardware (screws, dowels, cam locks, etc.)
- Instruction Manual (this document)
- Screwdriver (for assembly)

## 4. PRODUCT SPECIFICATIONS

---

<b>Brand</b>	Amposei
<b>Model</b>	B0CFTMF3VV
<b>Dimensions (D x W x H)</b>	19.7" x 51.2" x 17.9"
<b>Color</b>	White
<b>Shape</b>	Rectangular
<b>Frame Material</b>	Engineered Wood
<b>Top Material</b>	Engineered Wood, Glass
<b>Handle Material</b>	Acrylic
<b>Number of Drawers</b>	2
<b>LED Features</b>	16 Color Options, 6 Brightness Settings, 4 Lighting Patterns, Remote Control
<b>Assembly Tools Included</b>	Yes (Screwdriver)

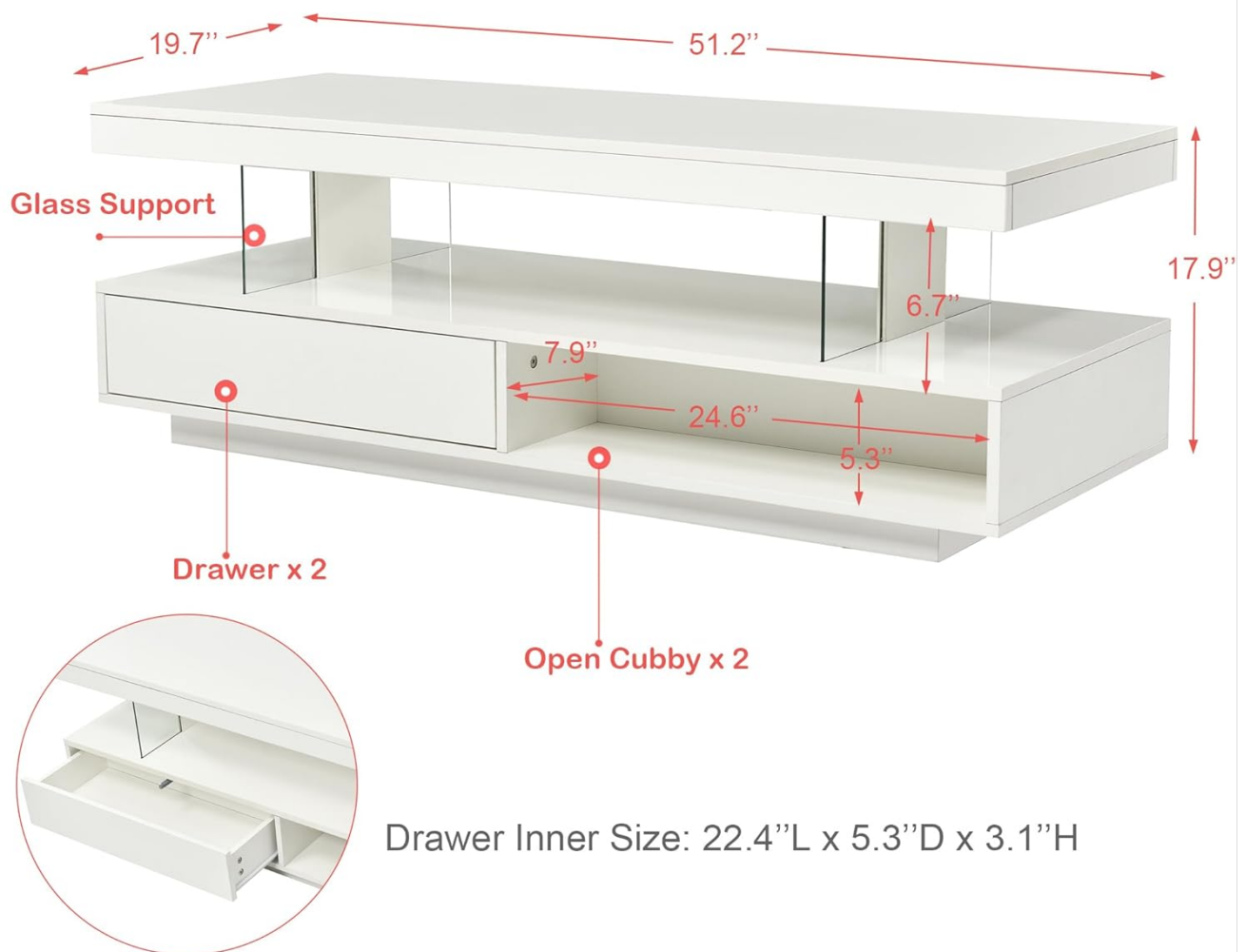
*Note: All dimensions are approximate.*

## 5. ASSEMBLY INSTRUCTIONS

---

Please lay out all components and hardware before starting. It is recommended to assemble this coffee table with two people. A screwdriver is included for your convenience.

# Detail Info



**Figure 5.1:** Component Overview and Dimensions. This diagram illustrates the main parts of the coffee table and their respective measurements, including the two drawers and two open cubbies.

- 1. Unpack and Identify Parts:** Carefully remove all items from the packaging. Refer to the parts list (usually provided on a separate sheet or within the main manual) and Figure 5.1 to identify each component.
- 2. Assemble Drawer Boxes:** Construct the two drawer boxes according to the specific instructions for the drawer components. Ensure all screws are tightened securely.
- 3. Install Drawer Glides/Runners:** Attach the drawer glides or runners to the side panels of the main table structure. Pay attention to orientation (left/right, front/back).
- 4. Assemble Base Structure:** Connect the bottom panel to the side panels, forming the base of the coffee table. Use the provided hardware (dowels, cam locks, screws) as indicated in the detailed assembly diagrams.
- 5. Attach Glass Supports:** Carefully insert the glass support panels into their designated slots on the base structure. Ensure they are stable and upright.
- 6. Install Drawer Mechanism (Part G):** Before attaching the top slab to the middle slab, install the small, thin grey pieces (often referred to as "Part G" in assembly guides) that facilitate the opening mechanism for the drawers. This step is crucial for easier drawer installation later.
- 7. Attach Top Slab:** Carefully place the top slab onto the glass supports and secure it to the base structure using the appropriate hardware. Ensure alignment before tightening.

8. **Insert Drawers:** Slide the assembled drawer boxes into their respective compartments. If Part G was installed correctly, the drawers should slide in smoothly. Adjust if necessary.
9. **Install LED Lighting:** Adhere the LED light strip to the designated area, typically along the underside of the top slab or within the open cubbies. Connect the power cable and remote receiver.
10. **Final Check:** Verify that all connections are secure, the table is stable, and all drawers operate smoothly.



**Figure 5.2:** Assembled Coffee Table with LED Lighting. This image shows the fully assembled coffee table in a living room setting, highlighting its design and LED illumination.



Figure 5.3: Coffee Table with Drawer Open. This view demonstrates the functionality of the integrated storage drawers.

## 6. OPERATING INSTRUCTIONS (LED LIGHTING)

---

Your Amposei LED Coffee Table comes with an integrated LED lighting system controlled by a remote.

- **Power On/Off:** Use the **ON/OFF** button on the remote control to activate or deactivate the LED lights.
- **Color Selection:** The system offers 16 color options. Use the color buttons on the remote to select your desired hue.
- **Brightness Adjustment:** Adjust the light intensity using the **Brightness Up (+)** and **Brightness Down (-)** buttons. There are 6 brightness settings available.
- **Lighting Patterns:** Choose from 4 dynamic lighting patterns (e.g., flash, strobe, fade, smooth) using the dedicated mode buttons on the remote.
- **Remote Control:** Ensure the remote control has working batteries and is pointed towards the LED receiver for optimal functionality.

## 7. MAINTENANCE

- **Cleaning the Surface:** For the high gloss finish, use a soft, damp cloth with a mild, non-abrasive cleaner. Avoid harsh chemicals or abrasive materials that can scratch the surface.
- **LED Lights:** The LED lights are designed for long-term use and generally do not require maintenance. If dust accumulates, gently wipe with a dry, soft cloth.
- **Hardware:** Periodically check all screws and connections to ensure they remain tight. Retighten if necessary to maintain stability.
- **Spills:** Wipe up spills immediately to prevent staining or damage to the engineered wood.

## 8. TROUBLESHOOTING

Problem	Possible Cause	Solution
LED lights do not turn on.	<ul style="list-style-type: none"> <li>◦ Power cable not connected.</li> <li>◦ Remote control batteries are dead.</li> <li>◦ LED receiver obstructed.</li> </ul>	<ul style="list-style-type: none"> <li>◦ Ensure the power cable is securely plugged into an outlet and the LED strip.</li> <li>◦ Replace batteries in the remote control.</li> <li>◦ Ensure a clear line of sight between the remote and the LED receiver.</li> </ul>
Drawers are difficult to open/close.	<ul style="list-style-type: none"> <li>◦ Drawer glides misaligned.</li> <li>◦ Obstruction in the drawer track.</li> <li>◦ Hardware not fully tightened.</li> </ul>	<ul style="list-style-type: none"> <li>◦ Remove drawers and re-align glides.</li> <li>◦ Check for any debris or objects blocking the track.</li> <li>◦ Ensure all assembly hardware for the drawers and frame is securely tightened.</li> </ul>
Table feels wobbly.	<ul style="list-style-type: none"> <li>◦ Uneven floor surface.</li> <li>◦ Loose assembly hardware.</li> </ul>	<ul style="list-style-type: none"> <li>◦ Move the table to a level surface or use shims if necessary.</li> <li>◦ Inspect and tighten all assembly screws and connections.</li> </ul>

## 9. WARRANTY AND SUPPORT

For any questions, concerns, or issues regarding your Amposei Modern LED Coffee Table, please contact the seller or manufacturer directly through your purchase platform. Please have your model number (B0CFTMF3VV) and purchase date available when contacting support.

Manufacturer: Atglus