

kzomKzoo C01

Selfie Stick Tripod with Light and Detachable Phone Holder User Manual

Brand: kzomKzoo | Model: C01

PRODUCT OVERVIEW

This Selfie Stick Tripod with Light and Detachable Phone Holder is a versatile accessory designed for smartphones. It features a 41.7-inch extendable pole, a 360° rotatable phone holder, a detachable Bluetooth remote, and an integrated dimmable fill light. Its multi-functional design allows for use as a selfie stick, a stable tripod, or a portable desktop phone stand, catering to various photography and video needs.

- **Detachable & Dimmable Fill Light:** Offers 3 color modes (warm, natural, white) with 2 brightness levels each, totaling 6 options for optimal lighting in various conditions. Ideal for low-light photography and clear visuals.
- **Enduring Companionship, Larger Battery Capacity:** Integrated snap-on remote control for convenient storage. Features a larger capacity CR2032 battery (supporting 50,000+ photos) and a maximum Bluetooth range of 20 meters, compatible with Android and iOS smartphones.
- **The First Detachable Phone Holder:** Unique design allows the phone clip to detach and function as a portable desktop phone stand, suitable for watching videos, video calls, photo displays, and video recording.
- **106 CM of Wide-angle Enjoyment:** Extends up to 41.7 inches for broader landscape capture. Easily transforms between selfie stick and tripod modes. Folds to 7.7 inches and weighs 160g for portability.
- **Flawless Angles, Unleash Creativity:** Phone clamp supports 360° rotation and 270° adjustment for diverse shooting angles, enhancing photos and videos for social media platforms.

WHAT'S IN THE BOX

- 1 x Selfie Stick Tripod
- 1 x Detachable Fill Light
- 1 x Bluetooth Remote Control (CR2032 battery included)

SETUP GUIDE

1. Unfolding the Selfie Stick Tripod

Gently pull the top section of the selfie stick upwards to extend the pole. The tripod legs will automatically unfold at the base. Ensure the legs are fully spread for maximum stability when using tripod mode.



Image: The selfie stick tripod shown in both its extended selfie stick configuration and its compact tripod configuration, with a smartphone mounted in the holder. A detached remote control and the fill light are also visible.

2. Attaching Your Smartphone

Open the phone clamp at the top of the selfie stick. Carefully insert your smartphone into the clamp, ensuring it is securely held. The clamp supports smartphones between 2.5 and 3.7 inches wide.



Image: A person holding the selfie stick with a smartphone attached, demonstrating its use for taking a selfie. The phone screen shows a live preview of the user.

3. Pairing the Bluetooth Remote Control

1. Locate the detachable remote control on the handle of the selfie stick. Slide it out to remove.
2. Long press the button on the remote control for three seconds until the blue indicator light flashes, indicating it is in pairing mode.
3. On your smartphone, go to Bluetooth settings and search for available devices. Select "SelfieCom" or a similar name to connect.
4. Once connected, the blue light on the remote will stop flashing and remain solid. The remote is now ready to use.

New 5.2 Version

Bluetooth Remote



Image: A close-up view of the detachable Bluetooth remote control, highlighting its "Quick Connect" feature and compatibility with iOS 5.1+ and Android 4.4+ devices. A smartphone screen in the background shows a family on a beach, indicating remote photo capture.

4. Using the Detachable Fill Light

The fill light can be attached to the phone holder. To attach, slide the fill light into the designated slot on the phone clamp. To detach, slide it out. The fill light is powered by its own internal battery.

- **Turning On/Off:** Long press the power button on the fill light for three seconds.
- **Changing Modes/Brightness:** Short press the power button to cycle through the 6 light modes (Warm Light: strong/soft; Natural Light: strong/soft; White Light: strong/soft).

Detachable Fill Light

Capture your beauty in different light modes

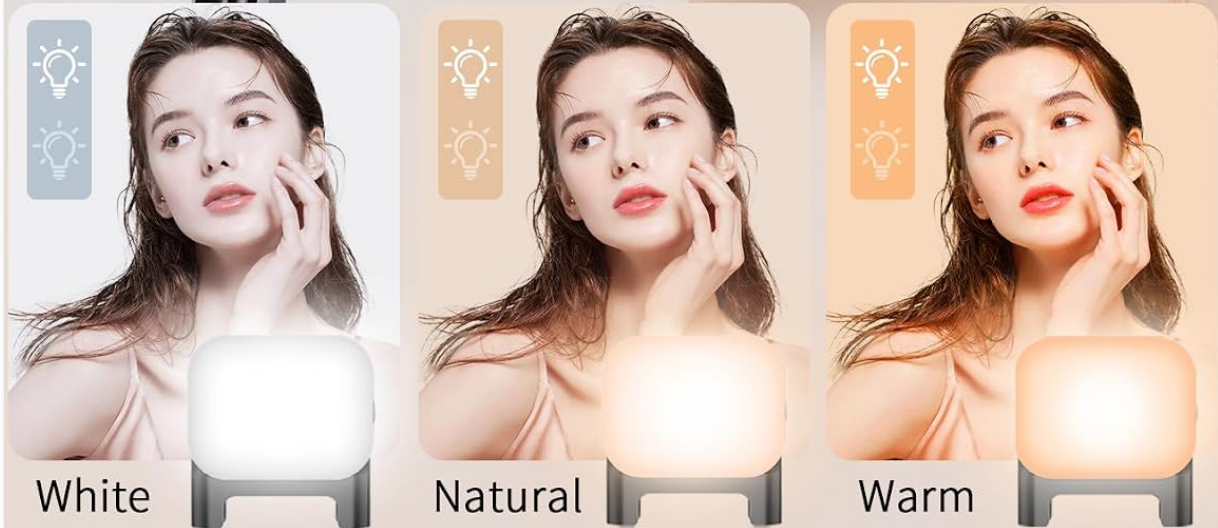
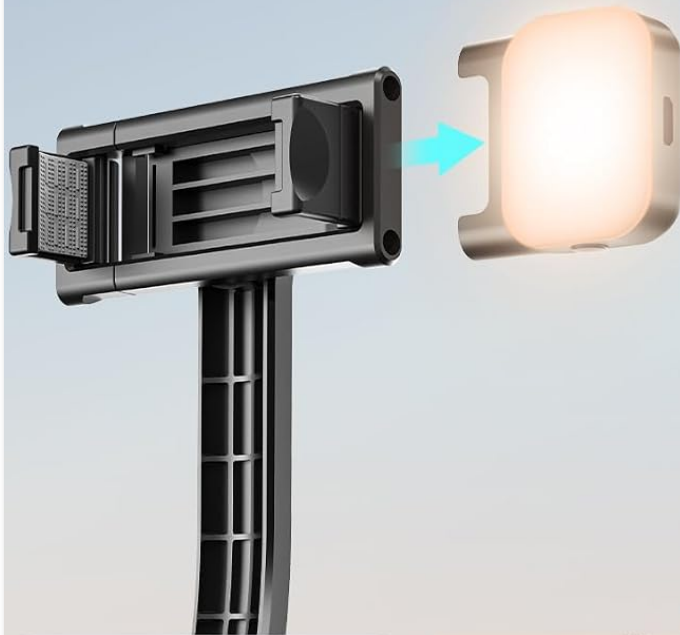


Image: A visual guide demonstrating how to attach the detachable fill light to the phone holder. Below, three images show a model illuminated by white, natural, and warm light settings, illustrating the different color modes available.

OPERATING INSTRUCTIONS

1. Selfie Stick Mode

Hold the handle firmly and extend the pole to your desired length (up to 41.7 inches). Use the Bluetooth remote to capture photos or start/stop video recording. The phone clamp can be rotated 360° and adjusted 270° to achieve optimal angles.



Image: Two women smiling and holding the extended selfie stick, capturing a moment outdoors under a clear sky.

2. Tripod Mode

Extend the pole to your desired height and ensure the tripod legs are fully spread on a flat, stable surface. This mode is ideal for group photos, video recording, live streaming, or hands-free video calls. Use the remote for convenient capture from a distance.



Image: A group of people sitting outdoors with the selfie stick in tripod mode, capturing a wide landscape view with mountains and snow in the background.

3. Detachable Phone Holder as Desktop Stand

The phone clamp can be detached from the selfie stick and used independently as a portable desktop stand. Simply slide the phone holder off the main pole. Unfold the small kickstand on the back of the phone holder to prop it up on any flat surface. This is perfect for watching videos, video calls, or displaying photos hands-free.



Image: A diagram illustrating the detachment of the phone holder from the selfie stick. Below, two images show the detached phone holder being used: one as a comfortable handheld grip for phone calls, and another as a desktop stand for viewing content.

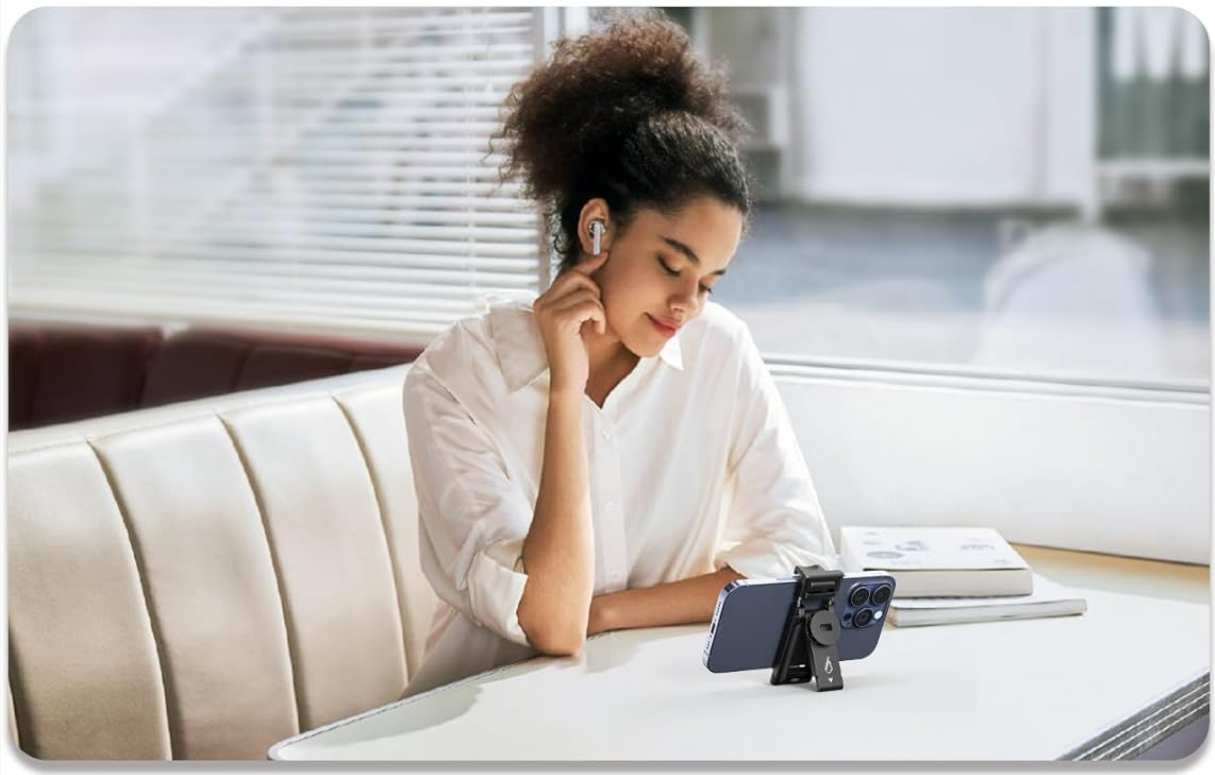


Image: Two scenarios demonstrating the use of the detached phone holder as a desktop stand. In the top image, a woman is watching content on her phone placed on the stand. In the bottom image, another person is engaged in a video call using the stand.

4. Adjusting Angles

The phone clamp offers 360° rotation, allowing you to switch between portrait and landscape orientations effortlessly. Additionally, it provides 270° adjustment for tilting the phone up or down, ensuring you can capture the perfect angle for any shot.



Image: A visual representation of the phone holder's flexibility, showing its 360° free rotation and 270° adjustment capabilities. Below, an illustration details the CR2032 battery compartment, indicating support for over 50,000 photos.

5. Official Product Video

Your browser does not support the video tag.

Video: An official product video demonstrating the features and usage of the Selfie Stick Tripod with Light and Detachable Phone Holder, including its portability, extendable length, remote control, and detachable phone holder functionality.

MAINTENANCE

- **Cleaning:** Wipe the product with a soft, dry cloth. Avoid using abrasive cleaners or solvents.

- **Storage:** When not in use, fold the selfie stick to its compact size (7.7 inches) and store it in a cool, dry place away from direct sunlight and extreme temperatures.
- **Battery Replacement (Remote):** The remote control uses a CR2032 battery. To replace, open the battery compartment on the remote, remove the old battery, and insert a new one with the correct polarity.
- **Battery Charging (Fill Light):** If the fill light's brightness diminishes, recharge it using a standard USB charging cable (not included).



Image: A person demonstrating the compact, folded size of the selfie stick (7.7 inches, 160g) by easily placing it into a tote bag, highlighting its portability.

TROUBLESHOOTING

Problem	Possible Cause	Solution
Remote not connecting via Bluetooth.	Remote battery low; not in pairing mode; previously paired with another device; Bluetooth interference.	Replace CR2032 battery. Long press remote button to enter pairing mode. Ensure no other devices are connected. Try restarting phone's Bluetooth.
Fill light not turning on or is dim.	Fill light battery low; not properly attached.	Recharge the fill light. Ensure it is securely slid into the phone clamp's slot.
Tripod is unstable.	Legs not fully extended; uneven surface; phone too heavy or off-center.	Ensure tripod legs are fully spread. Place on a flat, stable surface. Center the phone in the clamp. Avoid over-extending the pole in windy conditions.
Phone not fitting in clamp.	Phone size exceeds supported range.	Verify phone dimensions (supports 2.5-3.7 inches). Do not force the phone into the clamp.

SPECIFICATIONS

Product Dimensions: 7.48 x 1.57 x 1.38 inches (folded)

Item Weight: 6.5 ounces (185 Grams)

Model Name: C01

Maximum Height: 41.7 inches (106 Centimeters)

Minimum Height: 7.7 inches (19.6 Centimeters)

Battery (Remote): 1 x CR2032 (included)

Compatible Devices: Smartphone (supports 4-7" smartphones, 2.5-3.7 inch clamp width)

Special Features: Adjustable, Portable, Rotatable, Detachable Fill Light, Detachable Remote, Detachable Phone Holder

Material: Aluminum or Plastic Composite

Color: Black

WARRANTY AND SUPPORT

For warranty information or technical support, please refer to the contact details provided with your purchase or visit the official kzoMkzoo website. Keep your purchase receipt as proof of purchase for any warranty claims.