

[Manuals.plus](#) /

> [Hisense](#) /

> Hisense 100-Inch Class U8 Series Mini-LED ULED 4K UHD Google Smart TV (100U8K) Instruction Manual

Hisense 100U8K

Hisense 100-Inch Class U8 Series Mini-LED ULED 4K UHD Google Smart TV (100U8K) Instruction Manual

Model: 100U8K | Brand: Hisense

INTRODUCTION

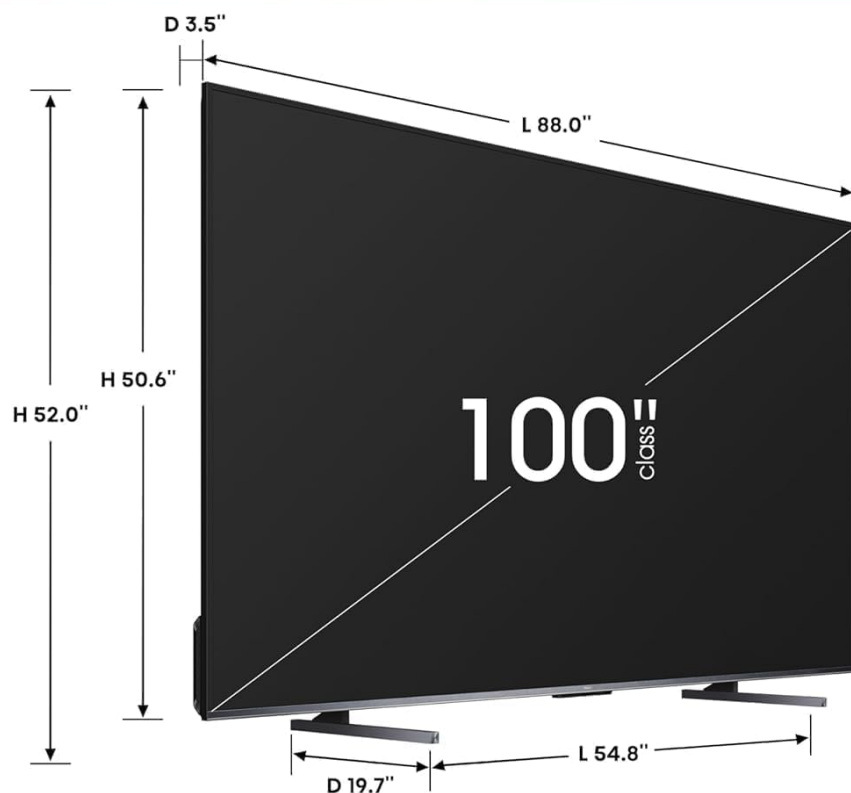
The Hisense U8 Series Mini-LED TV offers advanced display technologies and smart features for an immersive viewing experience. This manual provides essential information for setting up, operating, maintaining, and troubleshooting your new television.

WHAT'S IN THE BOX

- TV
- Power Cable
- Remote Control
- Stand

Hisense

U8 MINI-LED ULED 4K



Voice Remote

Hey Google



Dimensions with stand (width x depth x height)
88.0x52.0x19.7 inches

Dimensions without stand (width x depth x height)
88.0x50.6x3.5 inches

What's in the Box

- TV
- Power Cable
- Remote Control
- Stand



Image: Hisense 100U8K TV with its stand, remote control, and power cable, illustrating the contents of the box. Dimensions are also shown.

SETUP

Physical Installation

The Hisense 100U8K TV can be installed using the included stand for tabletop placement or mounted on a wall. For wall mounting, ensure you use a VESA standard 600x400mm (23.6x15.7 inch) compatible mount. Refer to the detailed installation instructions in the User Manual (PDF) for step-by-step guidance.



Image: Rear view of the Hisense 100U8K TV, highlighting the various input ports including HDMI, USB, and Ethernet connections.



100% EXPERIENCE:
REFINE YOUR GAMING FOR VICTORY



144Hz VRR



AMD FreeSync Premium Pro

Image: Rear view of the Hisense 100U8K TV, illustrating the VESA mounting points and the overall back panel design.

Initial Power On & Network Connection

Connect the power cable to the TV and a power outlet. Upon first power-on, the TV will guide you through the initial setup process, including language selection and network connection. The TV supports both Wi-Fi and Ethernet connectivity. For optimal smart TV features, a stable internet connection is recommended.

For detailed installation instructions, please refer to the official [Installation Manual \(PDF\)](#) and [User Manual \(PDF\)](#).

OPERATING YOUR HISENSE 100U8K TV

Key Features & Technologies

- **4K ULED:** Hisense's proprietary ULED technologies enhance color, contrast, brightness, and motion for a unique picture.
- **Mini-LED with Full Array Local Dimming:** Experience incredible detail with precise light management, delivering deep

blacks and bright whites.

- **QLED Quantum Dot Wide Color Gamut:** Enjoy over a billion shades of vivid, lifelike colors.
- **480 Smooth Motion & 144Hz Native Refresh Rate:** Ensures smooth, clear fast-action scenes with minimal blurring.
- **Dolby Vision IQ & Dolby Atmos:** Cinema technology for your home, providing amazing realism in picture and sound.
- **2.1.2 Multi-Channel Audio:** 50W of total power driving 5 speakers, including rear speakers and a built-in subwoofer, for immersive audio.
- **144Hz Game Mode Pro:** HDMI 2.1 inputs, ALLM, 144Hz VRR, and FreeSync Premium Pro minimize input lag and screen tearing for enhanced gaming.
- **Hands-Free Voice Control:** Control your TV with voice commands using Google TV OS.



Image: Hisense U8 Mini-LED ULED 4K TV showcasing its core technologies like MiniLED, 480 Motion Rate, 144Hz Game Mode Pro, 2.1.2 Multi-Channel Audio, and Google Assistant.

Smart TV Functionality (Google TV)

Your Hisense 100U8K runs on Google TV OS, providing a seamless interface for accessing streaming services, live TV, and apps. Use the intuitive remote control or hands-free voice commands to navigate and find content.



Image: The Hisense TV remote control, featuring dedicated buttons for popular streaming services like Netflix, Prime Video, YouTube, and Disney+, along with voice control.

Official Product Video

Your browser does not support the video tag.

Video: An official product video from Hisense showcasing the features and capabilities of the U8K Google Smart TV, including its display quality and smart functionalities.

MAINTENANCE

To ensure the longevity and optimal performance of your Hisense TV, follow these maintenance guidelines:

- **Cleaning the Screen:** Gently wipe the screen with a soft, lint-free cloth. For stubborn marks, use a screen-cleaning solution specifically designed for TVs, applied to the cloth, not directly to the screen.
- **Cleaning the Frame:** Use a soft, dry cloth to wipe the TV frame. Avoid using abrasive cleaners or solvents.
- **Ventilation:** Ensure proper ventilation around the TV. Do not block the ventilation slots on the back of the TV.

- **Power Off When Not in Use:** Turn off the TV when not in use to conserve energy and extend its lifespan.

TROUBLESHOOTING

If you encounter issues with your Hisense 100U8K TV, try the following common troubleshooting steps:

- **No Power:** Check if the power cable is securely connected to both the TV and the power outlet. Try a different outlet.
- **No Picture/Sound:** Ensure the correct input source is selected. Check all cable connections (HDMI, AV, etc.).
- **Remote Not Working:** Replace the batteries in the remote control. Ensure there are no obstructions between the remote and the TV's IR sensor.
- **Network Connection Issues:** Restart your router and modem. Check the TV's network settings to ensure it's connected to the correct Wi-Fi network or Ethernet cable.
- **Picture Quality Issues:** Adjust picture settings (brightness, contrast, sharpness) in the TV menu. Ensure you are viewing high-quality content.

For more detailed troubleshooting, refer to the comprehensive User Manual (PDF) or contact Hisense customer support.

SPECIFICATIONS

Feature	Detail
Brand Name	Hisense
Model Number	100U8K
Screen Size	100 Inches
Display Technology	QLED, Mini LED, LCD, LED
Resolution	4K UHD
Refresh Rate	144 Hz
Item Weight	162 Pounds
Product Dimensions	3.5"D x 88"W x 50.6"H
Output Wattage	60 Watts
Power Consumption (On-mode)	350 Watts
Connectivity Technology	Bluetooth, Wi-Fi, USB, Ethernet, HDMI
Special Features	Game Mode, Multiple Voice Assistance, Local Dimming, Wide Color Enhancer

WARRANTY & SUPPORT

The Hisense 100U8K TV comes with a 2-year warranty. For any questions, technical support, or warranty claims, please contact Hisense customer service.

Hisense Customer Support:

Phone: +1 (888) 935-6880

Website: www.hisense-usa.com

Additional support documents, including the full User Manual and Installation Manual, are available for download from the Hisense website or via the links provided in the Setup section.