



Manuals.plus /

› Karinear /

› Karinear Vitroceramic Hob KNC-D46663-DE User Manual

Karinear KNC-D46663

Karinear Vitroceramic Hob KNC-D46663-DE User Manual

1. INTRODUCTION

Thank you for choosing the Karinear Vitroceramic Hob KNC-D46663-DE. This manual provides essential information for the safe and efficient operation of your new appliance. Please read these instructions carefully before installation and use, and keep them for future reference.

This 60 cm vitroceramic hob is equipped with four cooking zones, including two standard zones and two dual-ring zones, designed for faster heating and improved energy efficiency. It features 9 heat levels, a timer function from 1 to 99 minutes, automatic shutdown, overheating protection, and a child lock for enhanced safety.



Figure 1: Overview of the Karinear Vitroceramic Hob.

2. SAFETY INFORMATION

Your safety and the safety of others are paramount. Please read all instructions before operating the appliance to reduce the risk of fire, electric shock, injury to persons, or damage to the hob.

- **Child Lock:** This feature prevents accidental operation by children. Activate the child lock to disable the control panel.
- **Overheating Protection:** The hob is equipped with a safety sensor that monitors the temperature. If an excessive temperature is detected, the hob will automatically shut down to prevent damage.
- **Automatic Shutdown:** If a cooking zone is left on for an extended period without adjustment, or if a pot boils dry, the hob will automatically switch off for safety.
- **Residual Heat Indicator:** After use, the cooking zones will remain hot. An indicator light will show which zones are still hot, warning against touching them.
- Ensure proper ventilation during use.

- Do not store flammable materials near the hob.



Figure 2: Safety features and controls overview.

3. SETUP AND INSTALLATION

The Karinear Vitroceramic Hob KNC-D46663-DE is designed for built-in installation. It is supplied without a plug and requires direct wiring to the electrical supply. Installation must be performed by a qualified electrician in accordance with local electrical codes and regulations.

3.1. Dimensions

- Product Dimensions (Depth x Width x Height): 52 cm x 59 cm x 4.4 cm
- Cut-out Dimensions (Width x Depth): Approximately 56 cm x 49 cm (Refer to detailed installation diagram for precise measurements)

3.2. Electrical Connection

The hob operates on a 220-240V / 6600W electrical supply. It must be hardwired. Ensure the electrical supply is

disconnected before commencing any wiring work.

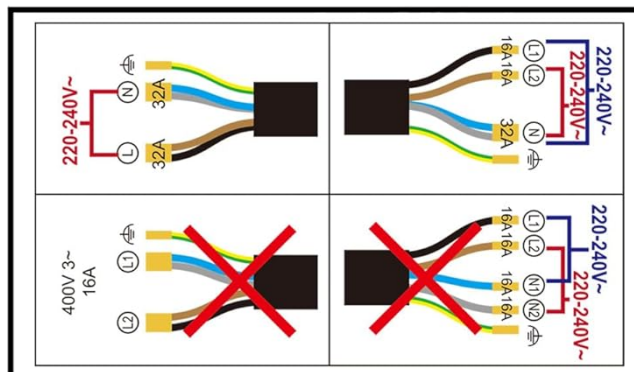


Figure 3: Electrical connection diagram and product dimensions. This image illustrates the required voltage and wattage, and the absence of a plug, emphasizing the need for professional wiring.

4. OPERATING INSTRUCTIONS

The hob features a sensitive touch control panel for easy operation.

4.1. Powering On/Off

Touch the power symbol (O) on the control panel to turn the hob on or off.

4.2. Adjusting Power Levels

Each cooking zone has its own slider control. To adjust the power level (1-9), simply slide your finger along the illuminated bar corresponding to the desired zone. The selected power level will be displayed.

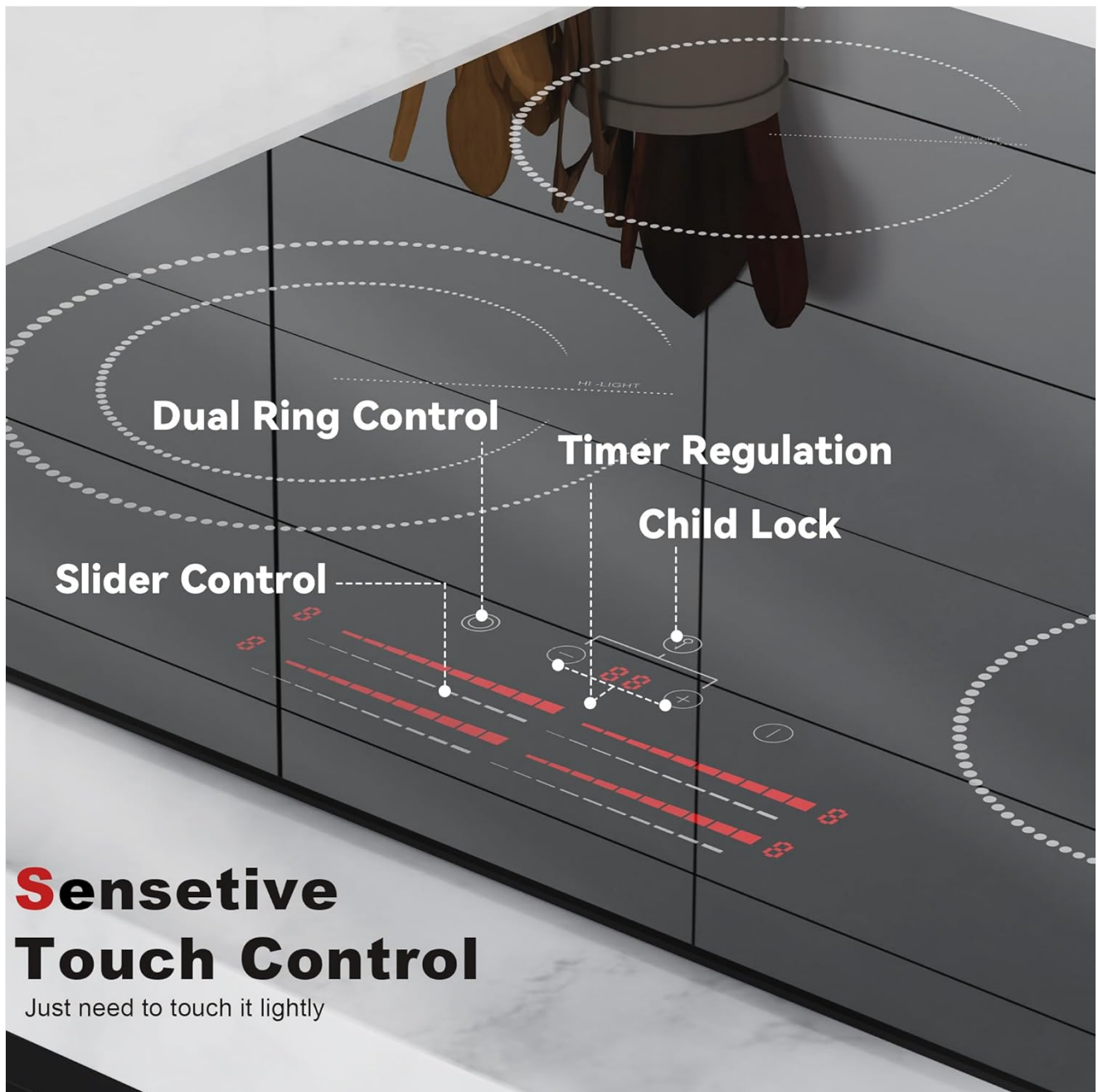


Figure 4: Sensitive touch control panel with key functions.



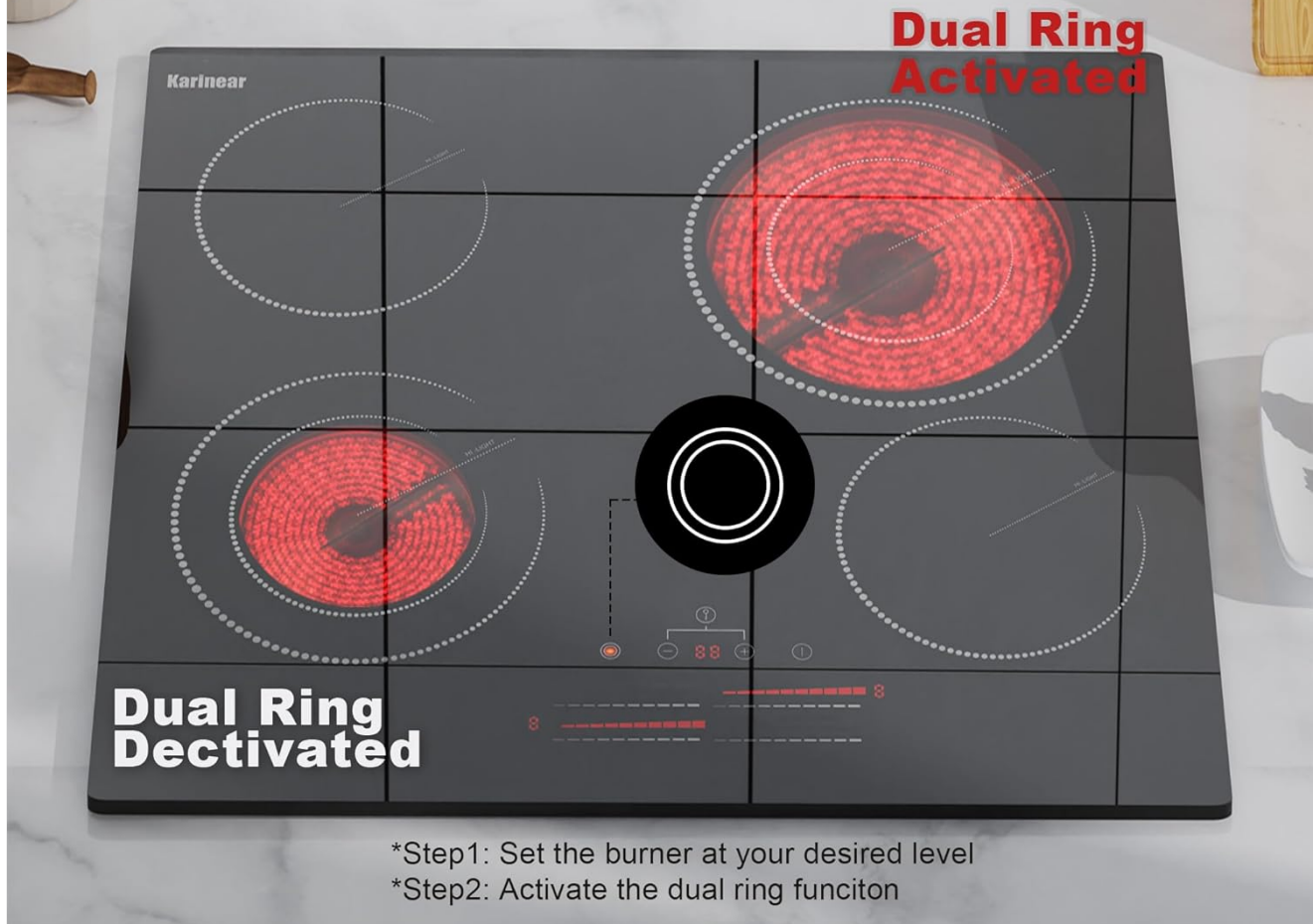
Figure 5: Demonstrating the separate slider control for each cooking zone.

4.3. Dual Ring Function

Two cooking zones feature a dual-ring function, allowing you to adapt the heating area to larger or smaller cookware. To activate the dual ring, first set the burner to your desired power level, then touch the dual ring control symbol (usually a concentric circle icon) for that zone. The outer ring will illuminate when activated.

Dual Ring Control Bigger or Smaller as you need

Adaptation to larger pots and pans after use
*Fits cookware with a diameter of 13.5-23cm



- *Step1: Set the burner at your desired level
- *Step2: Activate the dual ring function

Figure 6: Dual Ring Control in action, showing how to adjust the cooking zone size.

4.4. Timer Function

The timer can be set independently for each cooking zone from 1 to 99 minutes. Touch the timer control symbol, then use the '+' and '-' buttons or the slider to set the desired cooking time. The zone will automatically switch off when the timer expires.

4.5. Cookware Compatibility

This vitroceramic hob is suitable for all types of flat-bottomed cookware, including those made of iron, aluminum, ceramic, stainless steel, copper, and heat-resistant glass.

Suitable for ALL Types of Cookware with flat bottom



Figure 7: Examples of compatible cookware types.

5. MAINTENANCE AND CLEANING

Regular cleaning and maintenance will ensure the longevity and optimal performance of your hob.

- Always ensure the hob is cool and disconnected from the power supply before cleaning.
- Wipe the ceramic surface with a soft cloth and a mild detergent after each use to remove food spills and grease.
- For stubborn stains, use a specialized ceramic hob cleaner and a scraper designed for glass-ceramic surfaces.
- Avoid abrasive cleaners, scouring pads, or harsh chemicals, as these can scratch or damage the surface.
- Clean the control panel with a damp cloth and dry thoroughly.

6. TROUBLESHOOTING

If you encounter issues with your hob, please refer to the following common problems and solutions before

contacting customer service.

Problem	Possible Cause	Solution
Hob does not turn on	No power supply; Child lock activated	Check circuit breaker; Deactivate child lock
Cooking zone not heating	Incorrect power level selected; Cookware not suitable	Adjust power level; Use compatible flat-bottomed cookware
Hob shuts down automatically	Overheating protection activated; Timer expired	Allow hob to cool down; Check timer settings
Control panel unresponsive	Child lock activated; Moisture on panel	Deactivate child lock; Wipe panel dry

If the problem persists after attempting these solutions, please contact qualified service personnel.

7. SPECIFICATIONS

Feature	Detail
Brand	Karinear
Model Number	KNC-D46663-DE
Product Dimensions (DxWxH)	52 cm x 59 cm x 4.4 cm
Weight	9.33 kg
Power	6600 Watts
Voltage	220-240V
Number of Heating Elements	4
Burner Type	Radiant
Control Type	Touch & Scroll (Slider) for power and timer
Installation Type	Built-in
Surface Material	Vitroc ceramic
Special Features	Child Lock, Automatic Shutdown, Dual Ring Function, Timer Function, Unique Light Bar Display
Cooking Zone 1 (Front Left)	1200 W (165 mm)
Cooking Zone 2 (Rear Left)	1000 W / 2000 W (200 mm Max) - Dual Ring
Cooking Zone 3 (Front Right)	1200 W (165 mm)
Cooking Zone 4 (Rear Right)	1000 W / 2200 W (230 mm Max) - Dual Ring

8. WARRANTY INFORMATION

Specific warranty details for the Karinear Vitroc ceramic Hob KNC-D46663-DE are not provided in the available product data. Please refer to the warranty card included with your product or contact your retailer or the manufacturer directly for detailed warranty terms and conditions.

9. CUSTOMER SUPPORT

For technical assistance, spare parts, or any questions regarding your Karinear Vitroc ceramic Hob, please contact the retailer where you purchased the product or visit the official Karinear website for support contact information. Please have your model number (KNC-D46663-DE) and purchase date ready when contacting support.

