

[Manuals.plus](#) /

> [SONGMICS](#) /

> SONGMICS Children's Toy Storage Shelf User Manual

SONGMICS GKR041W10

SONGMICS Children's Toy Storage Shelf

Model: GKR041W10

User Manual

INTRODUCTION

This manual provides detailed instructions for the assembly, operation, and maintenance of your SONGMICS Children's Toy Storage Shelf (Model GKR041W10). Designed to encourage organization, this versatile unit features three open compartments for books and a mobile toy box with wheels, making it an ideal storage solution for children's rooms and play areas.



Image: The SONGMICS Children's Toy Storage Shelf, Model GKR041W10, displayed in a child's room. The top shelves are filled with various children's books, and the pull-out toy box at the bottom contains stuffed animals and other toys. The white shelf complements the light pink wall and bright window, creating an inviting and organized space.

SAFETY INFORMATION

Please read and understand all safety instructions before assembly and use. Keep this manual for future reference.

- **Anti-Tipping Kit:** Always install the included anti-tipping kit to secure the shelf to the wall. This prevents accidental tipping and ensures stability, especially in active environments with children.
- **Rounded Corners:** The shelf is designed with rounded corners to minimize the risk of injury from bumps.
- **Cut-Out Handles:** The toy box features cut-out handles to protect small hands from pinching.

- **Supervision:** Children should always be supervised when using the shelf and toy box.
- **Weight Limit:** Do not exceed the maximum weight limit of 55.1 pounds (approximately 25 kg) for the entire unit. Distribute weight evenly across shelves and in the toy box.



Image: A detailed view of the SONGMICS Children's Toy Storage Shelf emphasizing its safety features. The image shows the anti-tipping kit for wall attachment, the smooth rounded corners of the shelf, the cut-out safety handles on the toy box, and the practical lockable casters on the toy box for secure positioning.

SETUP AND ASSEMBLY

Assembly is required for this product. Please follow the clear instructions provided in the packaging. Ensure all parts are present before beginning assembly.

General Assembly Steps:

1. Unpack all components and verify against the parts list in your instruction manual.
2. Assemble the main bookshelf frame according to the diagrams.
3. Assemble the mobile toy box, ensuring the casters are securely attached.
4. Insert the assembled toy box into the designated slot in the bookshelf frame.
5. Secure the anti-tipping kit to the back of the shelf and then to a sturdy wall stud or appropriate wall anchor.
6. Ensure all screws and fasteners are tightened securely before use.

For detailed, step-by-step assembly instructions, refer to the separate assembly guide included in your product packaging.

OPERATING INSTRUCTIONS

The SONGMICS Children's Toy Storage Shelf is designed for easy and intuitive use by children.

Using the Book Compartments:

- The three open compartments at the top are ideal for organizing books of various sizes, allowing children easy access to their favorite stories.
- Encourage children to place books upright with the covers facing forward for easy identification.

Using the Mobile Toy Box:

- The bottom toy box is equipped with wheels, allowing it to be easily pulled out for playtime and pushed back in for storage.
- To move the toy box, gently pull it forward using the cut-out handles.
- To secure the toy box in place, engage the locks on the casters (if applicable to your model).
- Store toys, blocks, and other play items in the box to keep the room tidy.



Image: The SONGMICS Children's Toy Storage Shelf, showing the mobile toy box partially pulled out from the main bookshelf unit. This illustrates the ease of access to toys stored within the box, which is equipped with casters for smooth movement.

MAINTENANCE

Proper care will ensure the longevity of your SONGMICS Children's Toy Storage Shelf.

- **Cleaning:** Wipe the surface with a damp cloth. Avoid using harsh chemicals or abrasive cleaners, which may damage the finish.
- **Spills:** Clean up spills immediately to prevent staining or damage to the material.
- **Inspection:** Periodically check all screws and fasteners to ensure they remain tight. Re-tighten if necessary.
- **Casters:** Keep the casters free of debris to ensure smooth movement of the toy box.

TROUBLESHOOTING

If you encounter any issues with your toy storage shelf, refer to the following common solutions:

Problem	Possible Cause	Solution
---------	----------------	----------

Problem	Possible Cause	Solution
Shelf feels wobbly or unstable.	Screws are loose; anti-tipping kit not installed or improperly secured.	Ensure all assembly screws are tightened. Verify the anti-tipping kit is correctly installed and securely anchored to the wall.
Toy box does not roll smoothly.	Debris in casters; casters are locked.	Check casters for any trapped hair or debris and remove. Ensure caster locks are disengaged.
Damage to surface.	Impact or abrasive cleaning.	Avoid sharp objects and abrasive cleaners. For minor marks, a furniture repair pen may be used.

SPECIFICATIONS

Detailed specifications for the SONGMICS Children's Toy Storage Shelf, Model GKR041W10:

Brand: SONGMICS

Model: GKR041W10

Room Type: Children's Bookshelf / Playroom Storage

Number of Shelves: 3 (open compartments)

Special Feature: Anti-tipping kit, Mobile Toy Box with Casters, Rounded Corners, Cut-out Handles

Product Dimensions (D x W x H): 29.5 cm x 62.5 cm x 70 cm (11.6 in x 24.6 in x 27.6 in)

Age Range (Description): Child

Care Instructions: Wipe with a damp cloth

Weight Limit: 55.1 lbs (approx. 25 kg)

Assembly Required: Yes

Material: High-quality MDF and particleboard

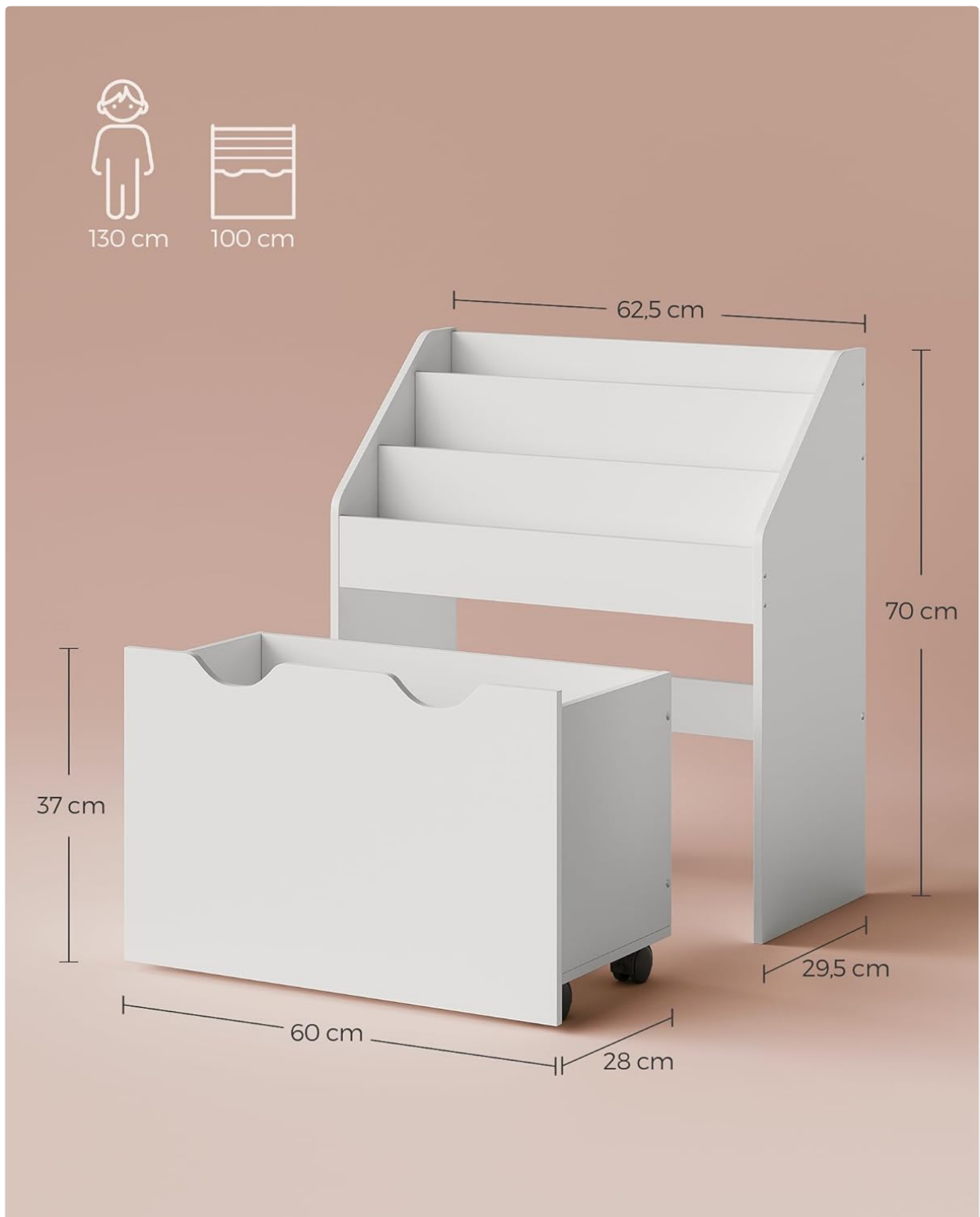


Image: A technical diagram illustrating the precise dimensions of both the bookshelf unit and the separate mobile toy box. Measurements are provided in centimeters for height, width, and depth of each component, aiding in understanding the product's size and fit within a space.

WARRANTY AND SUPPORT

For information regarding product warranty, returns, or customer support, please refer to your purchase documentation or contact SONGMICS customer service directly. Contact details can typically be found on the product packaging or the official SONGMICS website.

Please have your model number (GKR041W10) and purchase date ready when contacting support.

