

[Manuals.plus](#) /

› [Merax](#) /

› Merax Modern 7 Piece Dining Table Set Instruction Manual

Merax LP000307AAK-MZJ

Merax Modern 7 Piece Dining Table Set

MODEL: LP000307AAK-MZJ

Product Overview

This Merax 7-piece dining set combines sleek design with practical functionality, featuring a 55-inch table and six comfortable chairs. The faux marble tabletop and chair tops offer an elegant touch and are easy to maintain. Designed for efficiency, the chairs can be conveniently tucked neatly under the table when not in use, maximizing your living area. The set is constructed with a sturdy iron frame and MDF surfaces, ensuring durability. Adjustable feet provide stability, and the table supports up to 200 lbs, while each chair supports up to 330 lbs. The chairs feature unique triangular-shaped seats and semi-circular backrests for comfort and style.



Image: The Merax Modern 7 Piece Dining Table Set, showcasing the table and chairs with a faux marble finish and golden metal frames. The chairs are shown both in use and neatly tucked under the table.

Assembly Instructions

Before You Begin

- Verify all components are present and undamaged. Refer to the parts list in your packaging.
- Gather necessary tools. A screwdriver and an Allen wrench (often included) are typically required.
- Assemble the furniture on a soft, clean surface (e.g., a carpet or blanket) to prevent scratches.
- Note that the dining set ships in two boxes, which may arrive separately.

Step-by-Step Assembly

1. **Table Assembly:** Attach the table legs to the tabletop using the provided hardware. Ensure all connections are secure but do not fully tighten until the table is upright and stable.
2. **Chair Assembly:** For each chair, attach the seat and backrest components to the chair frame using the designated screws. Repeat for all six chairs.

3. **Final Tightening:** Once all components are assembled, carefully place the table and chairs upright. Systematically tighten all screws and bolts to ensure maximum stability. Do not overtighten.
4. **Leveling:** Adjust the feet on the table and chairs as needed to ensure they sit level on your floor, preventing wobbling.

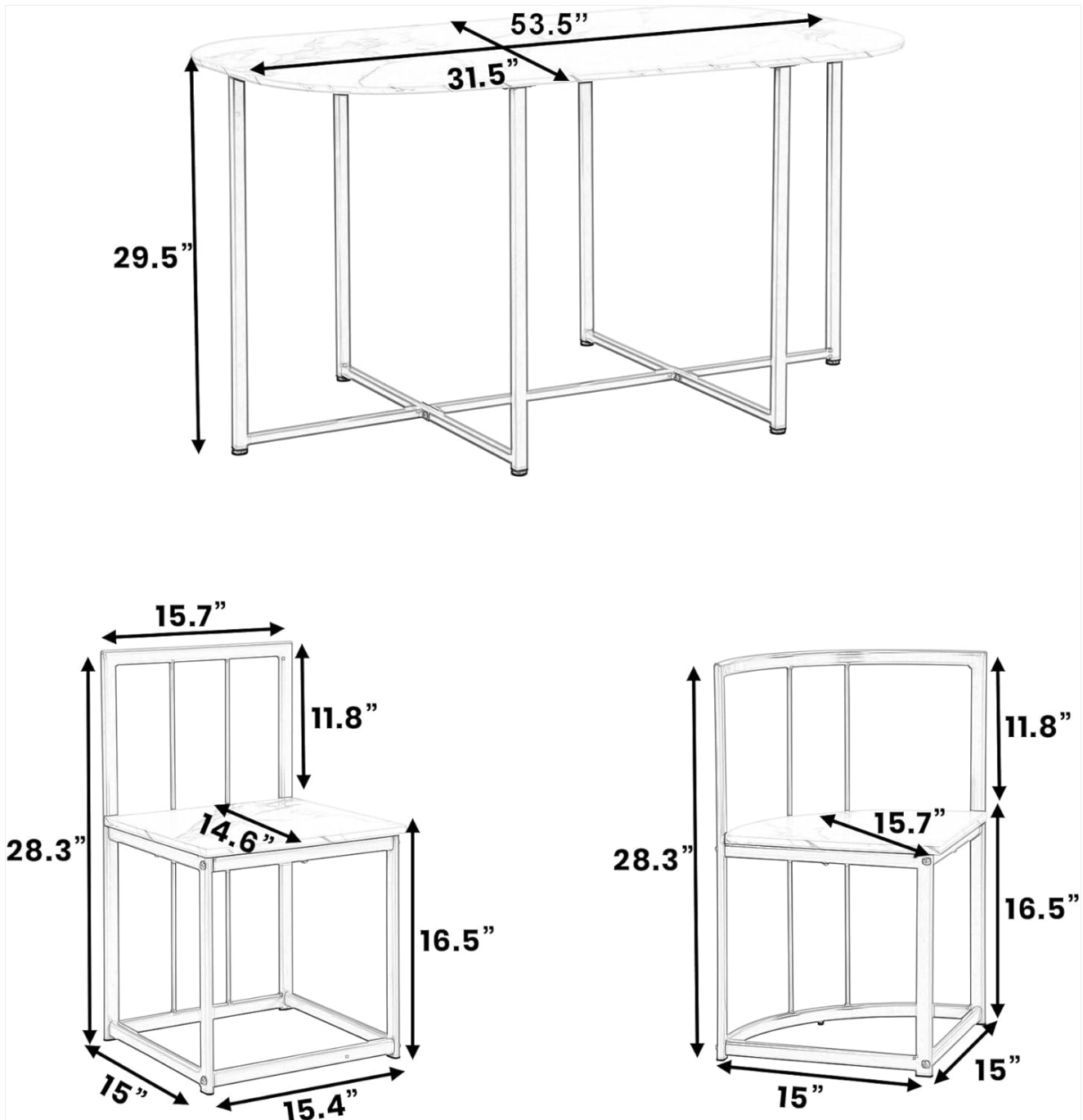


Image: A detailed diagram illustrating the dimensions of the dining table, middle chairs, and triangular chairs, useful for assembly and space planning.

Usage Guidelines

This Merax dining set is designed for daily use and offers a practical space-saving solution. The chairs are specifically crafted to tuck neatly under the table when not in use, maximizing your living area. To use the set, simply pull out the chairs from under the table. When finished, gently push them back into their designated positions under the table to conserve space.

Space-Saving Compact Dining Set

Ideal for small living spaces, this set provides a luxurious dining experience without taking up too much room.

In Use



Stored



Image: A visual comparison demonstrating the dining set with chairs pulled out for use and then neatly stored underneath the table to save space.

Care and Cleaning

To ensure the longevity and maintain the aesthetic appeal of your Merax dining set, please follow these care instructions:

- **Faux Marble Surfaces:** Clean tabletops and chair seats with a soft, damp cloth and a mild, non-abrasive detergent. Wipe dry immediately to prevent water spots. Avoid harsh chemicals, abrasive cleaners, and scouring pads, as these can damage the finish.
- **Metal Frames:** Wipe the golden metal frames with a dry or slightly damp cloth. Avoid using abrasive cleaners or solvents that could strip the finish.
- **Heat Protection:** Always use coasters or placemats under hot dishes, cups, and serving ware to protect the tabletop from heat damage.
- **Regular Inspection:** Periodically check and re-tighten all screws and bolts to ensure the structural integrity and stability of the table and chairs.

Common Issues and Solutions

If you encounter any issues with your dining set, refer to the following common problems and their solutions:

- **Wobbling Table or Chairs:**

Solution: Ensure all assembly screws are securely tightened. Check that the adjustable feet on the table and chairs are properly leveled on an even floor surface. Adjust as necessary.

- **Loose Parts:**

Solution: If any bolts or screws feel loose, re-tighten them using the appropriate tool. Avoid overtightening, which can strip threads or damage components.

- **Scratches or Marks on Faux Marble:**

Solution: For minor surface scratches, specialized faux marble repair kits may be available. For significant damage, consult a furniture care professional. Prevent future scratches by using placemats and avoiding dragging objects across the surface.

Product Specifications

Feature	Detail
Table Dimensions (L x W x H)	55" x 31.5" x 29.5"
Tabletop Thickness	0.6"
Middle Chair Dimensions (L x W x H)	15" x 15.4" x 28.3"
Triangular Chair Dimensions (L x W x H)	15" x 15" x 28.3"
Seat to Ground Height	16.5"
Material	Iron (Frame), MDF (Tabletop & Chair Surfaces)
Color	Golden+white
Table Weight Capacity	200 lbs
Chair Weight Capacity (Each)	330 lbs
Model Number	LP000307AAK-MZJ
UPC	195358659786
Assembly Required	Yes



Modern Faux Marble Tabletop
Easy to Clean



Smooth Table Corner
For Safe&Special



55inch Half-Round Dining Table



Adjustable Feet
For Balance&Stable

Image: Detailed views highlighting the modern faux marble tabletop, smooth table corners for safety, and adjustable feet for balance and stability.

Important Safety Information

Please observe the following safety precautions to ensure safe use of your dining set:

- Exercise caution when tucking in chairs to prevent tipping. Ensure chairs are properly aligned and gently pushed under the table.
- Always follow the assembly instructions carefully. Incorrect assembly can lead to instability and potential injury.
- Be aware of and cautious of any sharp edges during assembly and use. Handle components with care.
- Do not exceed the stated weight capacities for the table (200 lbs) and individual chairs (330 lbs).