

## Manuals+

[Q & A](#) | [Deep Search](#) | [Upload](#)

manuals.plus /

› [Aserose](#) /

› [Aserose Stair Climbing Hand Truck User Manual](#)

## Aserose 1

# Aserose Stair Climbing Hand Truck User Manual

Model: 1

## INTRODUCTION

Thank you for choosing the Aserose Stair Climbing Hand Truck. This manual provides essential information for the safe and effective use, assembly, operation, and maintenance of your new hand truck. Please read this manual thoroughly before use and retain it for future reference.

This versatile hand truck is designed for easy transport of various items, featuring a robust aluminum alloy construction, adjustable handle, and specialized stair-climbing wheels, along with universal swivel wheels for flat surfaces. It also includes a removable waterproof canvas bag for added convenience.

## PACKAGE CONTENTS

- 1 x Stair Climbing Hand Truck with 6 climbing wheels
- 4 x 360° Universal Swivel Wheels (extraíbles)
- 1 x Elastic Rope
- 1 x Black Waterproof Canvas Bag



Image: The complete package contents, including the hand truck (folded and unfolded), elastic rope, and waterproof canvas bag.

## SETUP AND ASSEMBLY

The Aserose Stair Climbing Hand Truck is designed for easy assembly without the need for additional tools.

### 1. Unfolding the Hand Truck:

To unfold the hand truck, step on the base plate and pull the handle upwards. The base plate will automatically extend. Ensure all parts are securely locked into place before use.

# Flexible retráctil y fácil de transportar



Expansión y contracción rápida de una sola teca



strong pull rod, not easy to deform



Placa inferior de apertura y cierre de un segundo operada con el pie, fácil de usar



Image: Illustration of the quick expansion and contraction mechanism, showing how to open the base plate by stepping on it.

## 2. Attaching Universal Swivel Wheels:

The four 360° universal swivel wheels are removable. To attach them, align the wheel stems with the designated slots on the base of the hand truck and push firmly until they click into place. To remove, press the release button (if present) and pull the wheels out.

## 3. Adjusting Handle Height:

The handle features a 3-height adjustment mechanism. Press the release button on the handle and extend or retract the handle to your desired height. Ensure the handle locks securely into one of the three positions before use.

# Mango ajustable con 3 alturas

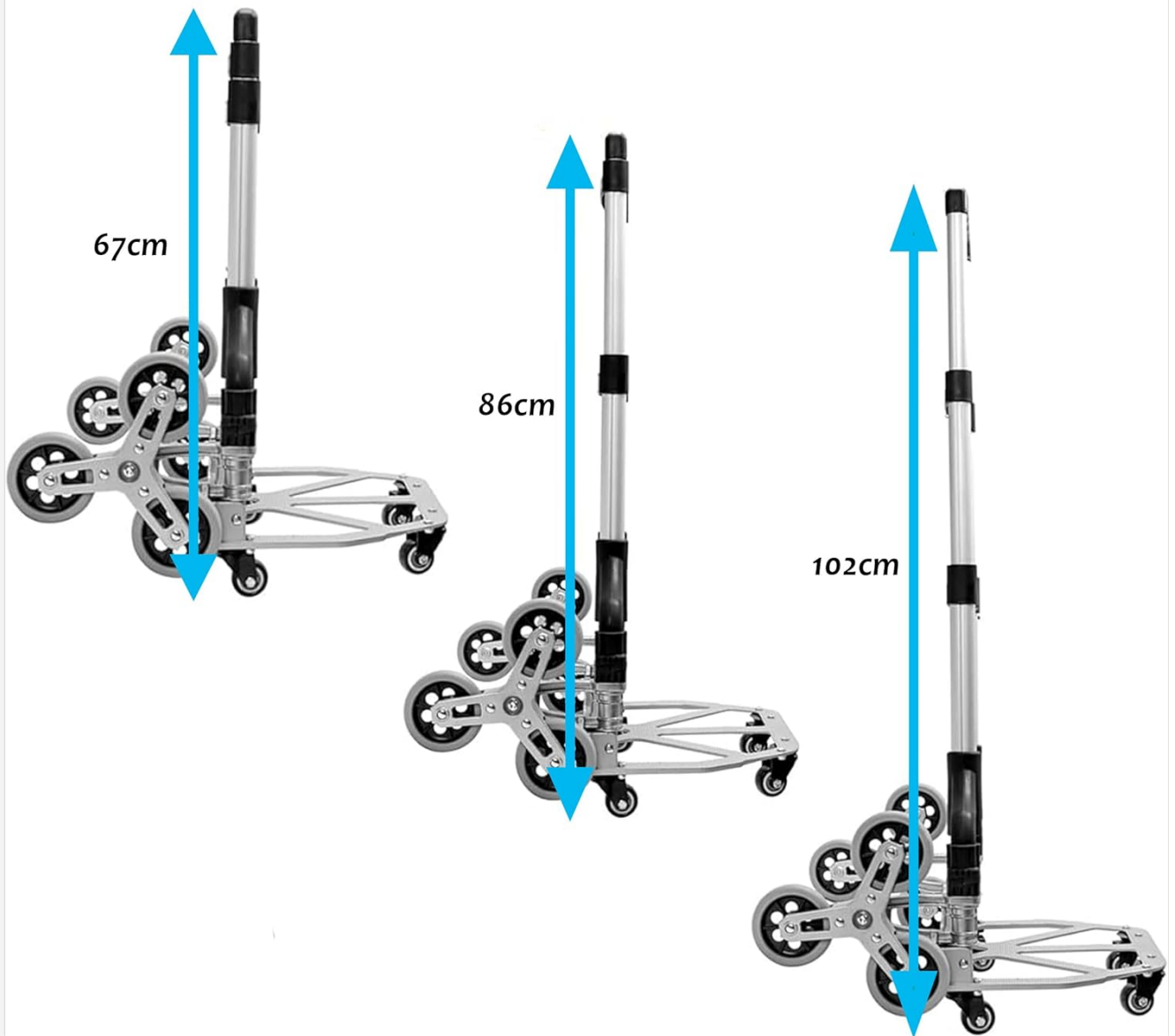


Image: Visual representation of the three adjustable handle heights (67cm, 86cm, 102cm) for ergonomic use.

#### 4. Attaching the Waterproof Canvas Bag:

The black waterproof canvas bag can be attached to the hand truck for carrying smaller or bulkier items. Secure the bag using its straps or hooks to the frame of the hand truck.



Image: The waterproof canvas bag, showing its dimensions (50cm height, 32cm width, 22cm depth) and how it fits onto the hand truck, filled with groceries.

## OPERATING INSTRUCTIONS

This hand truck is designed for versatile use on both flat surfaces and stairs.

### Loading the Hand Truck

- Place items securely on the base plate.
- For larger or unstable items, use the included elastic rope to secure them to the hand truck frame, preventing movement or tipping during transport.
- Ensure the load is centered and balanced to maintain stability.

### Using on Flat Surfaces

- With the universal swivel wheels attached, the hand truck can be easily maneuvered on flat ground.
- Push or pull the hand truck using the adjustable handle.
- The maximum load capacity on flat ground is 70 kg (154 lbs).

### Using on Stairs

- The unique 6-wheel climbing mechanism allows for smooth ascent and descent of stairs.
- When approaching stairs, tilt the hand truck slightly backward to engage the climbing wheels.
- Pull the hand truck up or guide it down stairs one step at a time, allowing the rotating wheels to roll over the edges of the steps.
- Maintain a firm grip on the handle and control the speed.
- The maximum load capacity on stairs is 35 kg (77 lbs).

## Equipaje



## Compras



## Mover



## Viaje



# carretilla manual multifuncional

Carro portátil para un uso versátil



Image: Examples of the hand truck's versatility, including transporting luggage, shopping bags, moving boxes, and items for travel.

## MAINTENANCE

Regular maintenance ensures the longevity and optimal performance of your hand truck.

- **Cleaning:** Wipe down the aluminum frame and wheels with a damp cloth. Avoid abrasive cleaners.
- **Lubrication:** Periodically check the wheel axles and moving parts for smooth operation. Apply a small amount of lubricant if necessary.

- **Inspection:** Regularly inspect all bolts, screws, and connections to ensure they are tight. Tighten any loose fasteners.
- **Storage:** When not in use, fold the hand truck to its compact size (approximately 61 x 39 x 10 cm) and store it in a dry place away from direct sunlight and extreme temperatures.

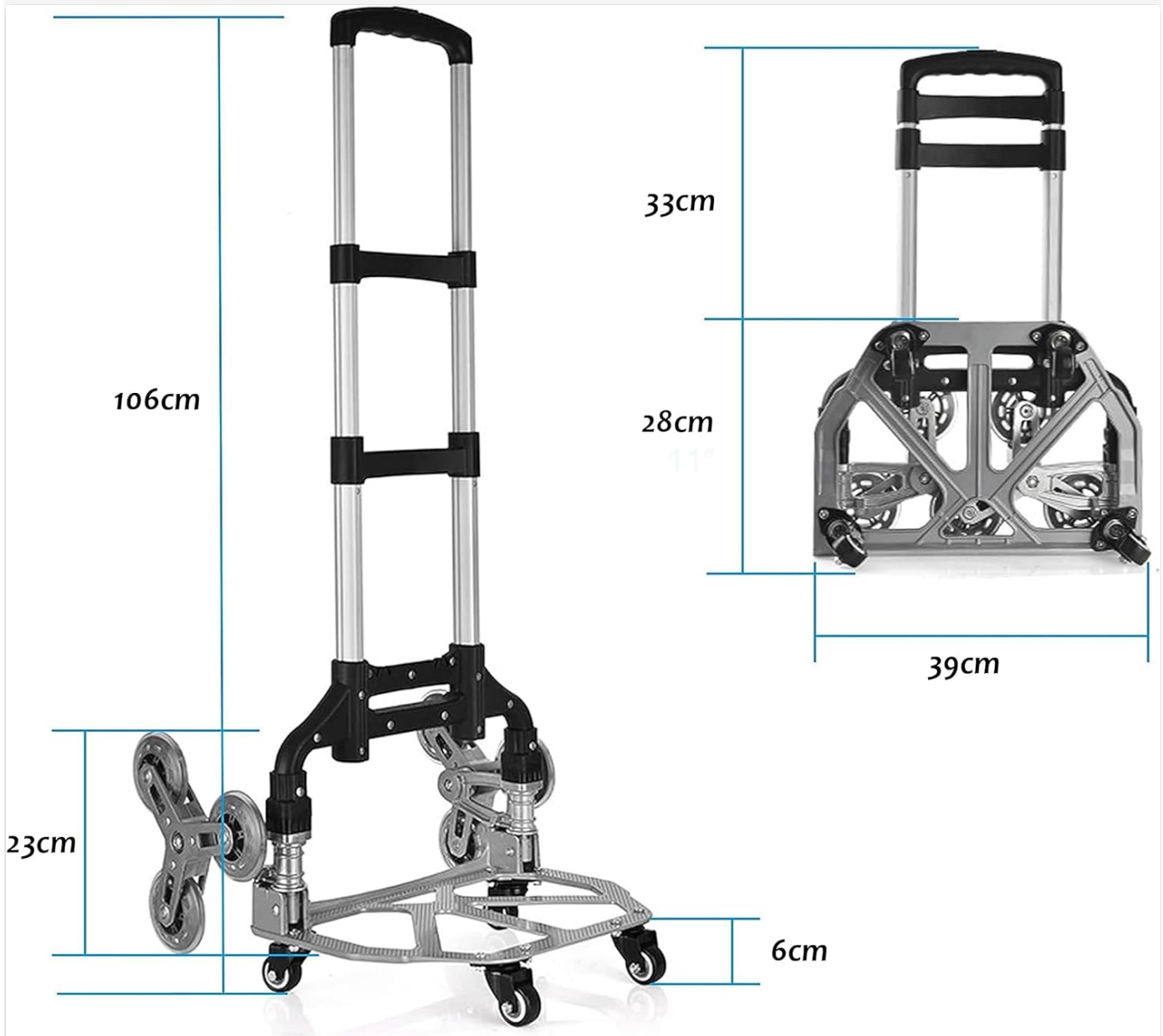


Image: Detailed dimensions of the hand truck, showing its height (106cm) and base (39cm) when unfolded, and its compact size (61cm height, 39cm width, 10cm depth) when folded.

## TROUBLESHOOTING

Problem	Possible Cause	Solution
Hand truck difficult to fold/unfold.	Mechanism might be stiff or obstructed.	Ensure no debris is blocking the folding mechanism. Apply a small amount of lubricant to pivot points if necessary.
Wheels not rolling smoothly.	Dirt/debris in axles, or lack of lubrication.	Clean wheels and axles. Apply lubricant to the wheel bearings. Check for any damage to the wheels.
Hand truck feels unstable with load.	Load is unbalanced or exceeds capacity.	Re-distribute the load evenly. Ensure load does not exceed 70KG on flat ground or 35KG on stairs. Use the elastic rope to secure items.

Problem	Possible Cause	Solution
Handle not locking at desired height.	Locking pins are not fully engaged.	Ensure the handle is fully extended or retracted to one of the three designated height settings until the locking pins click into place.

## SPECIFICATIONS

<b>Brand</b>	Aserose
<b>Model Number</b>	1
<b>Material</b>	Aluminum Alloy
<b>Color</b>	Black
<b>Product Dimensions (Folded)</b>	61 x 39 x 10 cm (24 x 15.3 x 3.9 inches)
<b>Product Weight</b>	4.1 kg (9 lbs)
<b>Load Capacity (Flat Ground)</b>	70 kg (154 lbs)
<b>Load Capacity (Stairs)</b>	35 kg (77 lbs)
<b>Wheel Type</b>	6-wheel stair climbing system, 4 x 360° universal swivel wheels (removable)
<b>Handle Adjustment</b>	3 adjustable heights (e.g., 67cm, 86cm, 102cm)

***built in load bearing part  
tightly welded steel pipes***

**0.06 inch  
Thickness**

**0.7 inch  
Diameter**

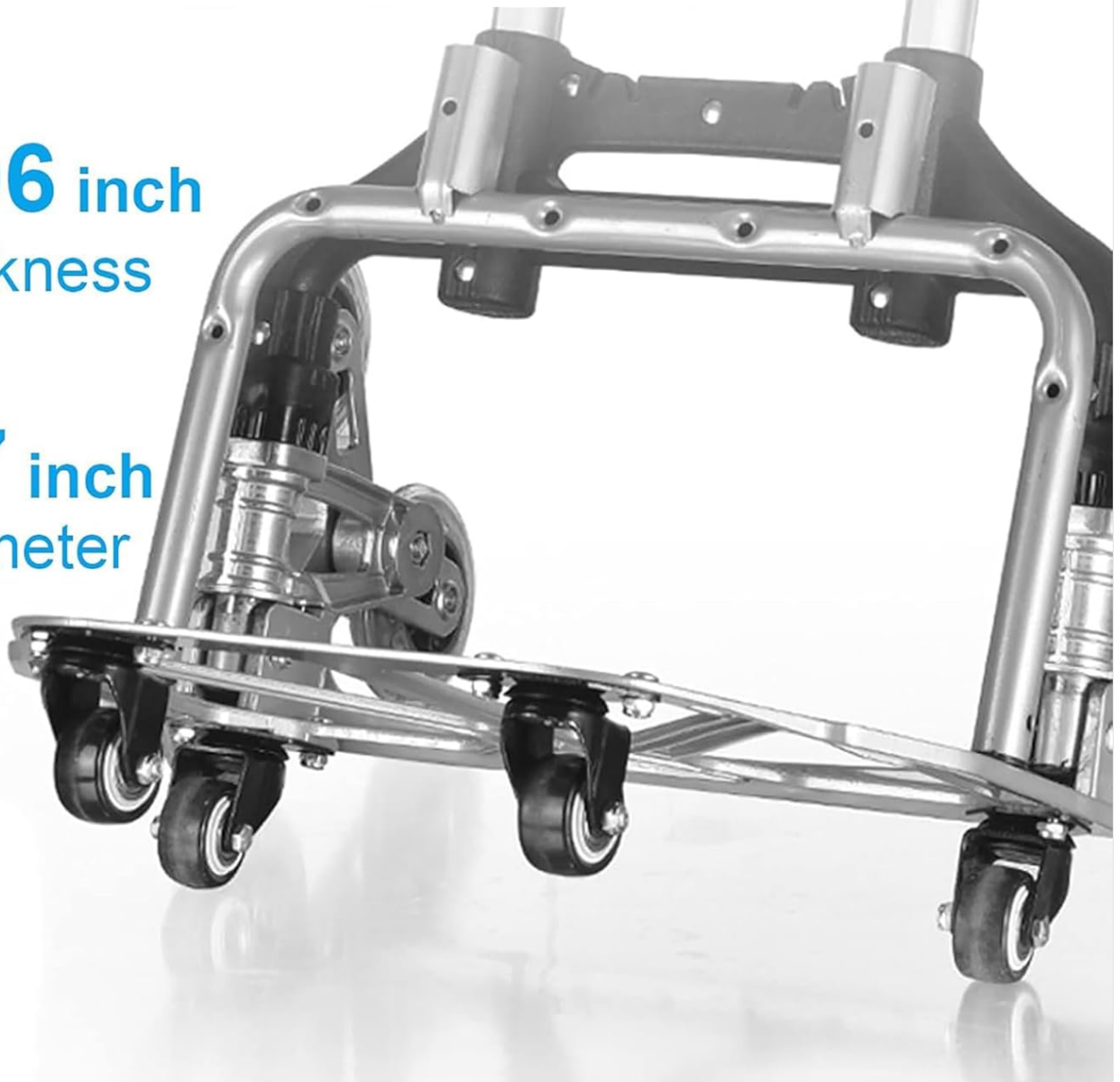


Image: Detail of the built-in load-bearing part, highlighting the tightly welded steel pipes with 0.06 inch thickness and 0.7 inch diameter, ensuring robustness.

## **WARRANTY AND SUPPORT**

Aserose is committed to providing an excellent customer experience. While specific warranty details are not provided in this manual, please retain your proof of purchase for any warranty claims.

If you encounter any issues or have questions regarding your Aserose Stair Climbing Hand Truck, please do not hesitate to contact our customer support. Contact information can typically be found on the product packaging or the retailer's website where you purchased the item.

For further assistance, you may visit the product page on Amazon: [Aserose Stair Climbing Hand Truck on Amazon.com.mx](#)

