

[Manuals.plus](#) /

> [YITAMOTOR](#) /

> YITAMOTOR Towing Mirrors Instruction Manual

YITAMOTOR MAYIMxTAP0

YITAMOTOR Towing Mirrors Instruction Manual

Model: MAYIMxTAP0

PRODUCT OVERVIEW

The YITAMOTOR Towing Mirrors are designed to enhance visibility and safety when towing. This manual provides detailed instructions for installation, operation, and maintenance of your new towing mirrors.



Image: Front and back view of the YITAMOTOR Towing Mirrors, showcasing the main mirror, convex lens, and integrated turn signal light.

Key Features:

- **Power Adjustable Plane Mirror:** Allows for electronic adjustment of the main mirror glass.
- **Power Heated Plane Mirror:** Helps to clear frost, ice, and fog from the mirror surface for improved visibility in adverse weather conditions.
- **Manually Adjustable Convex Lens:** Provides an expanded field of view, adjustable by hand.
- **LED Arrow Signal Light:** Integrated turn signal for enhanced signaling to other drivers.
- **Manual Telescoping:** Allows the mirror to extend outwards for wider towing visibility and retract when not needed.
- **Manual Folding:** Enables the mirror to fold inward, useful for parking in tight spaces or avoiding obstacles.



Image: A diagram illustrating the various functions of the towing mirrors, including power adjustment, heating, turn signals, and manual telescoping/folding capabilities.

COMPATIBILITY

These towing mirrors are compatible with the following vehicle models:

- 1999-2007 Ford F250 Super Duty
- 1999-2007 Ford F350 Super Duty
- 1999-2007 Ford F450 Super Duty
- 1999-2007 Ford F550 Super Duty
- 2001-2005 Ford Excursion

SETUP AND INSTALLATION

Installation of the YITAMOTOR Towing Mirrors is designed to be a direct replacement for your factory mirrors. No drilling or modifications are typically required. Professional installation is recommended for optimal results.

Installation Steps:

1. **Prepare the Vehicle:** Ensure the vehicle is turned off and the parking brake is engaged.
2. **Remove Interior Panel:** Carefully remove the plastic interior door panel using appropriate tools, such as a screwdriver, to access the mirror mounting bolts and wiring.
3. **Disconnect Old Mirror:** Disconnect the electrical connector from the existing mirror and unbolt it from the door frame.
4. **Install New Mirror:** Position the new YITAMOTOR towing mirror onto the door frame, aligning the pre-installed studs with the mounting holes.
5. **Connect Wiring:** Connect the electrical plug of the new towing mirror to the corresponding power cord in the vehicle's door. Ensure a secure connection.
6. **Secure Mirror:** Tighten the mounting bolts to secure the new mirror firmly to the door.
7. **Reinstall Interior Panel:** Reattach the interior plastic door panel, ensuring all clips and screws are properly fastened.
8. **Test Functions:** After installation, test all mirror functions including power adjustment, heating, and turn signals to ensure proper operation.



Image: Visual guide for the plug-and-play installation process, detailing steps from removing the plastic plate to securing the new mirror.

PLUG AND PLAY

Getting a Ford wiring diagram online makes installation straightforward.

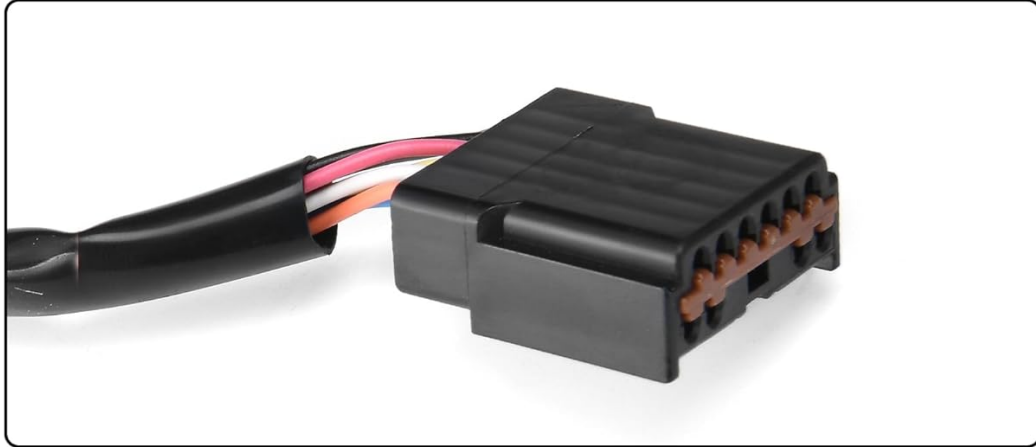


Image: Detailed view of the wiring harness and connector, highlighting the ease of connection for installation.



Aluminum Base



Pre-installed Studs



ABS Housing

Image: Components of the mirror assembly, including the durable aluminum base, pre-installed mounting studs, and robust ABS housing.

OPERATING INSTRUCTIONS

Power Adjustment:

Use the vehicle's interior mirror control switch to adjust the angle of the main plane mirror. This allows for precise positioning of your rear view.

Power Heated Function:

Activate the heated mirror function via your vehicle's controls (typically linked to the rear defroster). This feature removes moisture, frost, and ice from the mirror surface, ensuring clear visibility in cold or humid conditions.

POWER HEATED

Remove moisture to keep the rear view clear



Image: Illustration demonstrating the effectiveness of the power heated function in clearing moisture and maintaining clear rear visibility.

Manual Telescoping:

To extend the mirror for wider towing visibility, manually pull the mirror housing outwards from the vehicle. To retract, push the mirror housing back towards the vehicle. This feature provides a larger viewing area when towing.

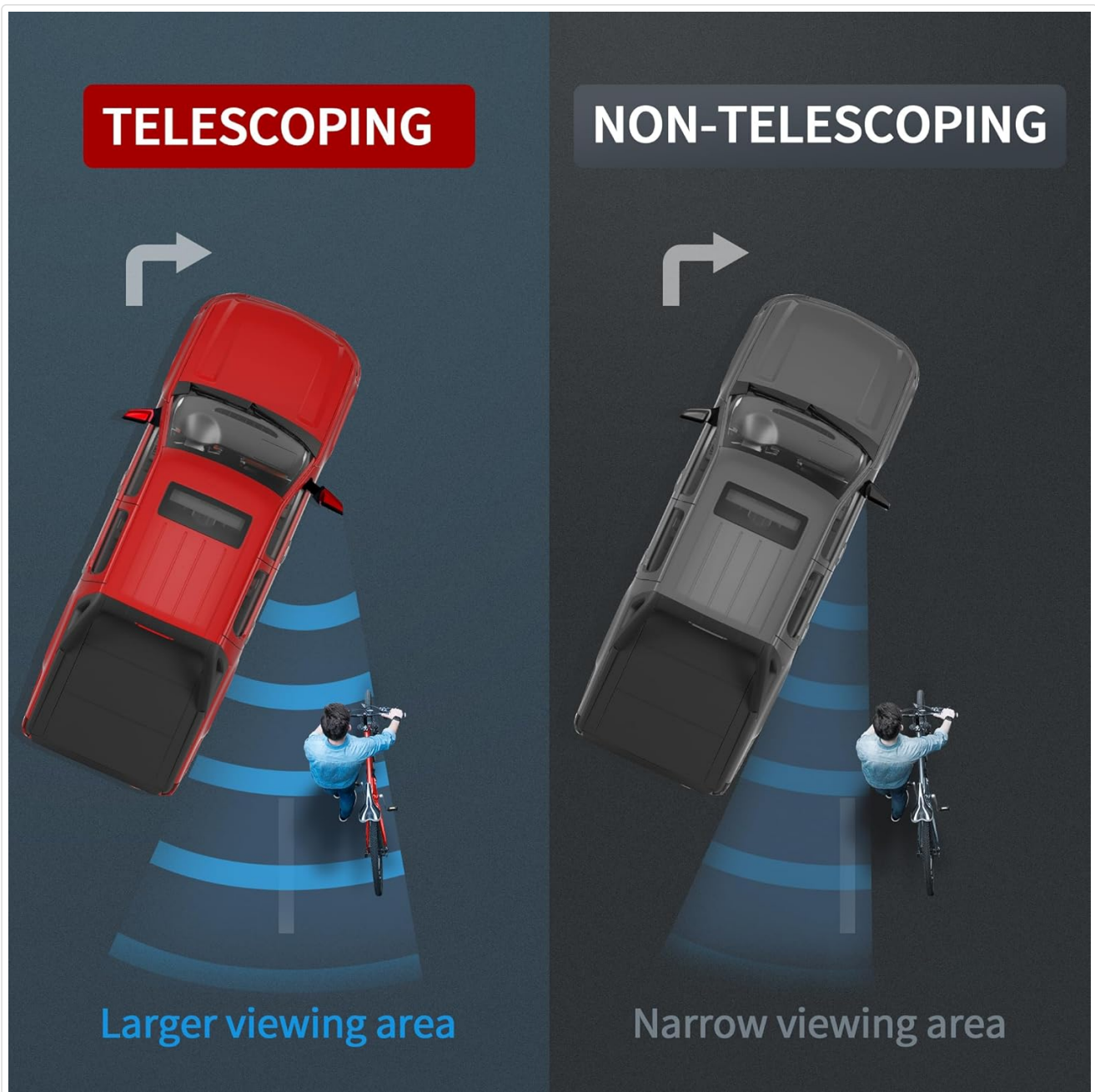


Image: A visual comparison highlighting the increased viewing area provided by the telescoping mirror feature, beneficial for towing.

Manual Folding:

To fold the mirror inward, manually push the mirror housing towards the vehicle. This is useful for navigating narrow spaces, parking, or protecting the mirrors from damage when not in use.

MANUAL-FOLDING

Fold away to avoid obstacles



Image: A sequence illustrating the manual folding capability of the mirrors, allowing them to be tucked in for clearance.

LED Turn Signal:

The integrated LED arrow signal light functions in conjunction with your vehicle's turn signals, providing clear indication of your turning intentions to surrounding traffic.

TURN SIGNAL

Excellent color rendering, less optical loss



Image: A view of the mirror installed on a truck, with an inset showing the integrated LED turn signal in both its unlit and illuminated states.

MAINTENANCE

Regular maintenance ensures the longevity and optimal performance of your towing mirrors.

- **Cleaning:** Clean the mirror glass and housing regularly with a mild automotive cleaner and a soft cloth. Avoid abrasive cleaners or materials that could scratch the surface.
- **Electrical Connections:** Periodically inspect the electrical connections for any signs of corrosion or damage. Ensure they remain securely plugged in.
- **Moving Parts:** The manual telescoping and folding mechanisms should operate smoothly. If resistance is encountered, inspect for obstructions. Avoid forcing the mechanisms.
- **Heated Function:** The power heated function is designed to remove moisture. Ensure the mirror surface is free from excessive debris that could impede its effectiveness.

TROUBLESHOOTING

If you encounter issues with your YITAMOTOR Towing Mirrors, consider the following common troubleshooting steps:

- **Functionality Issues (e.g., turn signal not working, heating not active):**

Verify that your vehicle is equipped with the corresponding functions (e.g., factory turn signals, heated mirror wiring). If your vehicle does not possess these functions, the corresponding mirror features will not operate. Consult your vehicle's owner's manual or a qualified automotive technician.

Check all electrical connections to ensure they are secure and free from corrosion. A loose connection can prevent features from working.

- **Mirror Movement Issues (e.g., power adjustment not responding):**

Ensure the vehicle's ignition is on and the mirror control switch is functioning correctly. Test other mirror functions if available.

Inspect for any physical obstructions that might be preventing the mirror from moving freely.

- **Excessive Vibration:**

Ensure the mirror is securely mounted to the vehicle door. Check that all mounting bolts are tightened to the manufacturer's specifications.

For issues not resolved by these steps, it is recommended to consult a professional automotive technician.

SPECIFICATIONS

Attribute	Detail
Brand	YITAMOTOR
Model Number	MAYIMxTAP0
UPC	840332301686
Auto Part Position	Front Outside
Color	Black
Mounting Type	Door Mount
Included Components	Left + Right Towing Mirror
Special Features	Adjustable, Foldable, Heated, Lighted, Manual Telescoping
Shape	Rectangular
Lens Curvature	Convex (lower mirror)
Item Weight	24.2 pounds

Product Dimensions (L x W x H)	23.81 x 13.58 x 15.55 inches
Side Mirror Length (Closed)	16.5 inches
Side Mirror Length (Extended)	19.25 inches
Side Mirror Size (Glass Area)	13 inches x 9.25 inches

PRODUCT DIMENSIONS

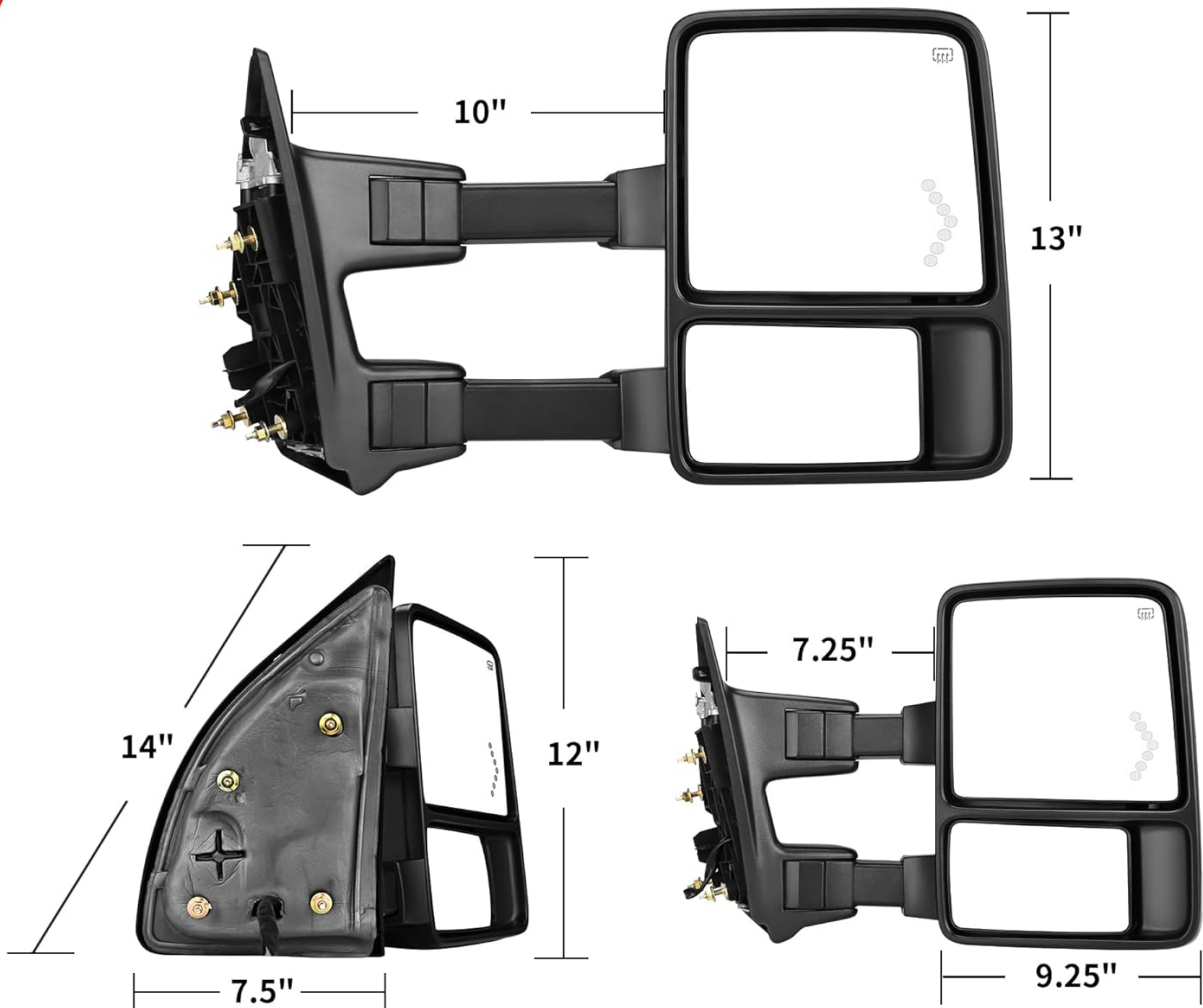


Image: Detailed product dimensions from multiple perspectives, including overall length, width, and height.

WARRANTY AND SUPPORT

Information regarding product warranty and direct customer support contacts was not available in the provided product data. Please refer to the product packaging or the manufacturer's official website for the most current warranty details and customer service options.

