



[Manuals.plus](#) /

> [Veken](#) /

> Veken Rain Shower Head Instruction Manual

Veken SHR3V201

Veken Rain Shower Head Instruction Manual

Model: SHR3V201

1. PRODUCT OVERVIEW

The Veken 11.8 Inch Large Rectangular Rainfall Shower Head is designed to provide a wide coverage and soothing rainfall experience. It features an adjustable stainless steel extension arm and anti-clog nozzles for optimal water pressure and durability.



Image: The Veken 11.8 Inch Rainfall Shower Head in operation, showing water cascading from its wide rectangular surface, attached to an adjustable extension arm.

Key Features:

- **Wide Coverage Style:** Large 11.8-inch shower head for full body water coverage.
- **Rainfall Sensation:** Mimics soothing rain for a calming shower experience.
- **Adjustable Extension Arm:** Deluxe 11-inch extension arm with swivel ball connector for height and angle customization. Made of solid stainless steel for durability.
- **Anti-Clog Nozzles:** Designed to maintain optimal water pressure and prevent clogging.
- **Easy Tool-Free Installation:** Simple two-step installation process.

COVER YOUR WHOLE BODY TECHNOLOGY

Enjoy your shower time



Image: A visual comparison illustrating the superior water coverage of a 12-inch shower head (left) versus a smaller 8-inch shower head (right), highlighting the "Cover Your Whole Body Technology".

OURS

SOLID STAINLESS STEEL

OTHERS

WEAK BRASS



More Durable & Safe



Easy to Rust Corrosion



Can Hold Up More than 10KG



Fractures and leaks occur

Image: A side-by-side comparison demonstrating the durability of Veken's solid stainless steel extension arm, shown supporting over 10KG, contrasted with a weak brass arm from another brand that shows signs of fracture and corrosion.

2. PACKAGE CONTENTS

Please ensure all components are present before beginning installation.

- 1 x 11.8" Rain Shower Head

- 1 x 11" Extension Arm
- 1 x Spare Washer
- 1 x Teflon Tape

UNWIND & RELAX

Release shoulder and neck tension as you unwind with Vekens luxury rainfall shower.



Image: A visual representation of the package contents, including the 11.8-inch rain shower head and the 11-inch stainless steel extension arm.

3. SETUP AND INSTALLATION

The Veken Rain Shower Head is designed for tool-free installation. Follow these simple steps:

1. **Step 1: Screw Extension Arm to Shower Pipe.** Ensure the existing shower pipe is clean and free of debris. Apply Teflon tape (included) to the threads of your existing shower pipe. Screw the Veken 11" Extension Arm onto the shower pipe by hand until secure. Do not overtighten.
2. **Step 2: Attach Rain Shower Head to Extension Arm.** Screw the 11.8" Rain Shower Head onto the other end of the extension arm by hand until secure. Ensure the washer is properly seated to prevent leaks.

Easy Installation

2 Simple Steps

01



Image: A visual guide demonstrating the two simple steps for installation: first, screwing the extension arm onto the existing shower pipe, and second, attaching the shower head to the extension arm.

Once installed, you can adjust the angle of the extension arm and the shower head using the swivel connectors to achieve your desired shower height and direction.

ANGLE ADJUSTABLE EXTENSION ARM

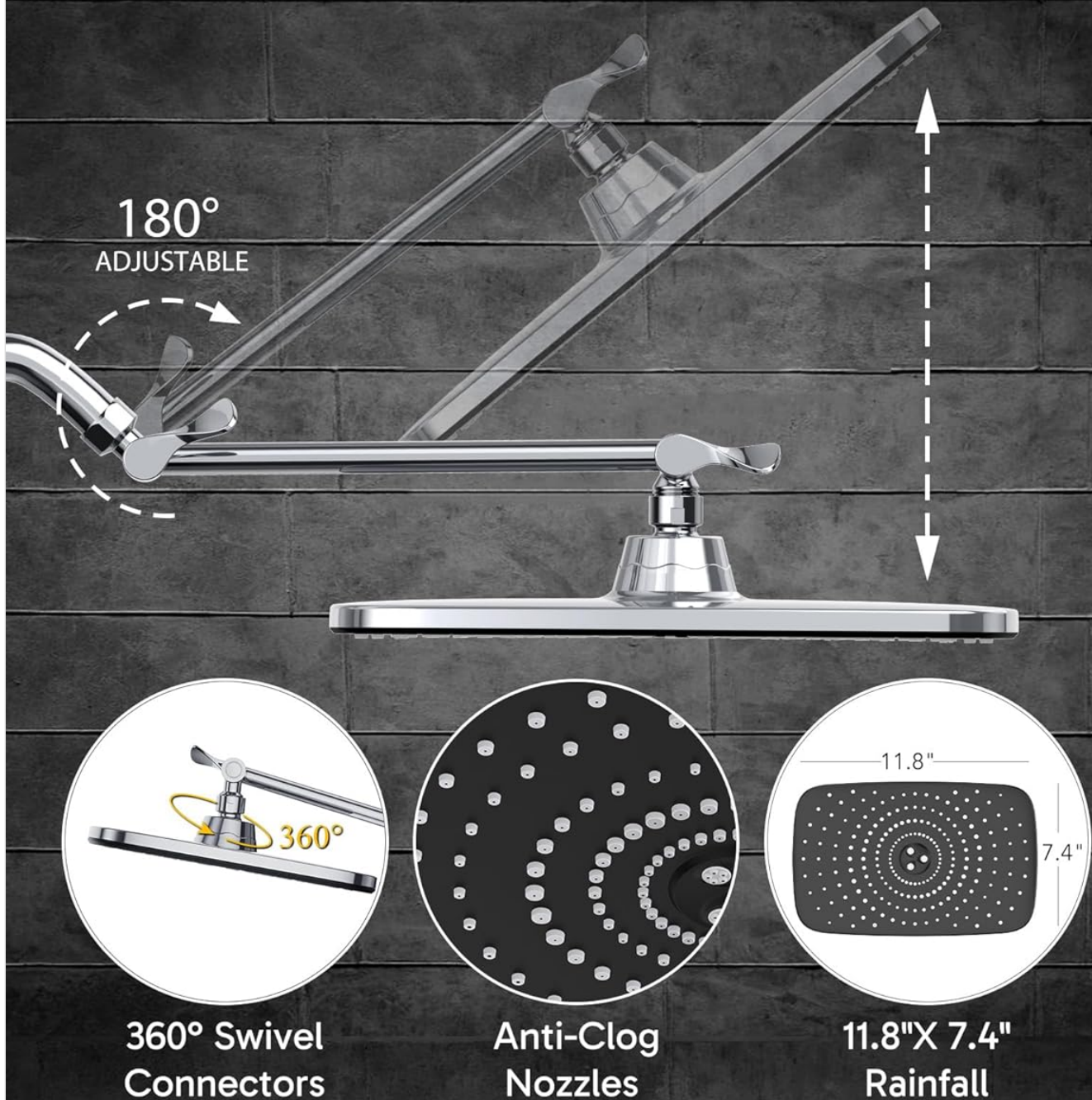


Image: A detailed diagram illustrating the adjustable features of the shower system, including the 180-degree adjustable extension arm, 360-degree swivel connectors for the shower head, and a close-up of the anti-clog nozzles, along with the 11.8" x 7.4" dimensions of the rainfall shower head.

4. OPERATING INSTRUCTIONS

To operate your Veken Rain Shower Head, simply turn on your shower's water supply. The shower head will immediately begin to deliver a consistent rainfall flow. There are no additional settings or modes to adjust on the shower head itself,

ensuring a straightforward and relaxing experience.



Image: The Veken shower head elegantly installed in a contemporary bathroom setting, emphasizing how it can enhance the overall shower experience.

For optimal performance, ensure your home's water pressure is within standard residential limits. The anti-clog nozzles are designed to maintain strong, steady flow even with varying water conditions.

ANTI-CLOG NOZZLE DESIGN: Maintains Strong, Steady Flow

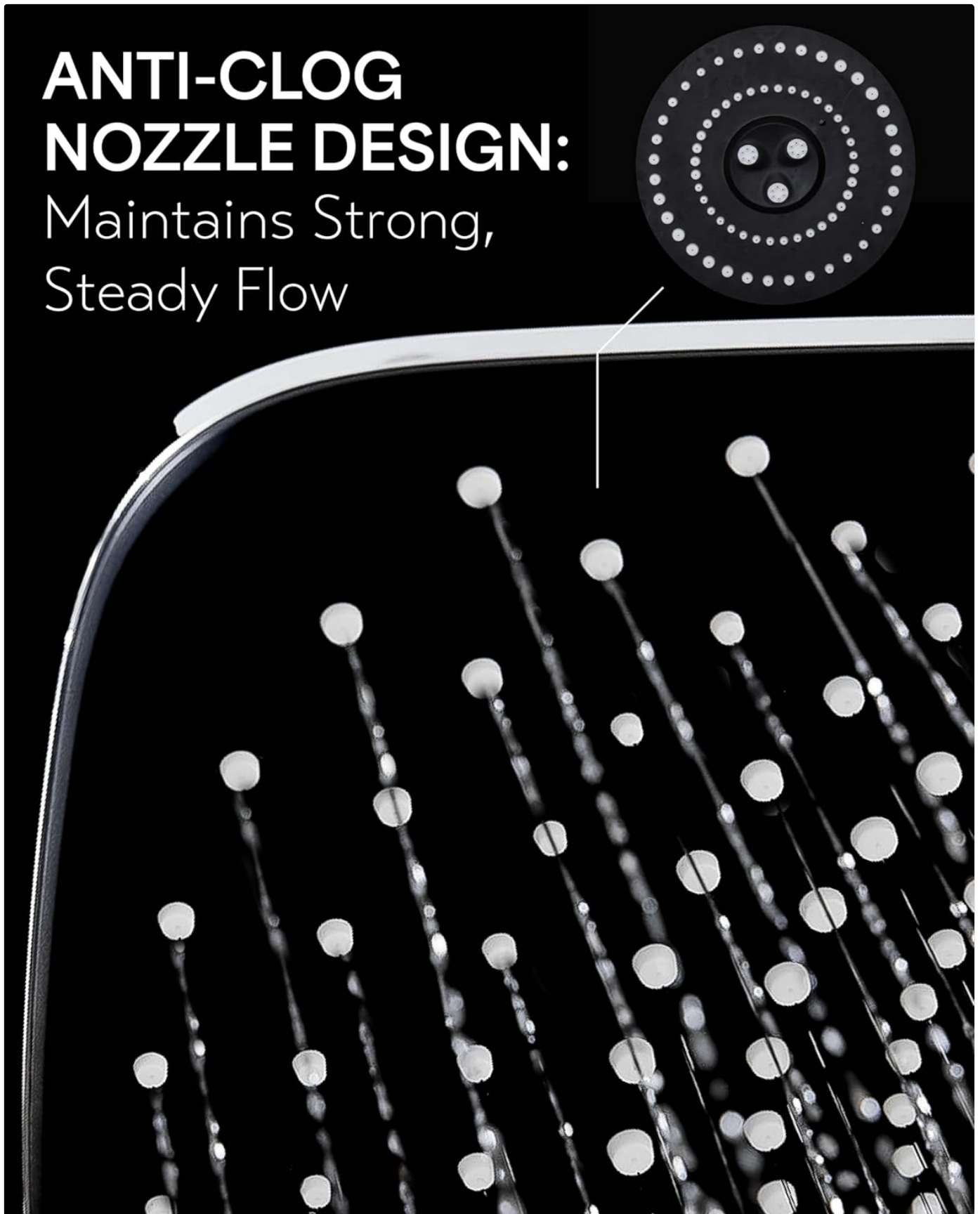


Image: A magnified view of the Veken shower head's anti-clog nozzle design, illustrating how it helps maintain a strong and steady water flow.

5. MAINTENANCE AND CARE

Regular cleaning will help maintain the performance and appearance of your Veken Rain Shower Head.

- **Cleaning Nozzles:** The anti-clog nozzles are made of silicone, allowing for easy cleaning. Periodically rub your

fingers across the nozzles to dislodge any mineral buildup or debris.

- **Surface Cleaning:** Clean the chrome finish with a soft cloth and mild soap or a non-abrasive bathroom cleaner. Avoid using harsh chemicals, abrasive cleaners, or scouring pads, as these can damage the finish.
- **Water Spots:** To prevent water spots, wipe the shower head dry after each use, especially in areas with hard water.

6. TROUBLESHOOTING

If you encounter any issues with your Veken Rain Shower Head, please refer to the following common solutions:

- **Low Water Pressure:**
 - Check if the anti-clog nozzles are blocked. Rub them to clear any mineral deposits.
 - Ensure the shower head and extension arm are securely tightened, but not overtightened, to prevent air leaks.
 - Verify that your home's main water supply valve is fully open.
- **Leaking from Connections:**
 - Ensure Teflon tape was applied correctly and sufficiently to the threads during installation.
 - Check that all connections are hand-tight. If leaking persists, gently tighten with a wrench, being careful not to damage the finish.
 - Verify that the rubber washers are properly seated in the connections. Replace if damaged.
- **Shower Head Not Adjusting:**
 - Ensure the swivel ball connector on the extension arm is not overtightened, allowing for free movement.

7. SPECIFICATIONS

Attribute	Detail
Brand	Veken
Model Number	SHR3V201
Product Dimensions	11.8"L x 7.4"W
Shower Head Size	11.8 Inch
Extension Arm Size	11 Inch
Material	Acrylonitrile Butadiene Styrene (Shower Head), Stainless Steel (Extension Arm)
Finish Type	Painted (Chrome)
Color	Chrome
Installation Type	Wall Mounted
Number of Settings	1 (Rainfall)
Special Features	Adjustable Height, Detachable, Anti-Clog Nozzles
Item Weight	1.13 pounds
Manufacturer	XIAMEN JASLEN SANITARY WARE CO.,LTD.

UPC	850051133192
-----	--------------

8. WARRANTY INFORMATION

Specific warranty details for the Veken Rain Shower Head are not provided in this manual. Please refer to the product packaging or the official Veken website for the most up-to-date warranty information.

9. CUSTOMER SUPPORT

For further assistance, technical support, or inquiries regarding your Veken Rain Shower Head, please visit the official Veken store on Amazon or their corporate website. You may also refer to the digital Instructions for Use (IFU) document available online for additional details.

Official Instructions for Use (IFU) PDF: [Download PDF](#)

Veken Store on Amazon: [Visit Store](#)

10. IMPORTANT SAFETY INFORMATION

- Always turn off the main water supply before attempting any installation or maintenance.
- Do not use excessive force when tightening connections to avoid damaging threads or components.
- Ensure all connections are watertight to prevent leaks and potential water damage.
- Keep small parts away from children to prevent choking hazards.
- This product is intended for residential use only.

This product is verified by Transparency, ensuring its authenticity.

11. OFFICIAL PRODUCT VIDEOS

No official product videos from the seller were found in the provided data. Please check the product listing on Amazon for any available video content.

© 2023 Veken. All rights reserved.

Manual Version: 1.0