

## Kircuit WMH53521HZ Series (Z0 Models), Part 9

# Kircuit Upper Interlock Assembly Instruction Manual

For Whirlpool WMH53521HZ Series Microwaves (Part 9, Z0 Models)

Brand: Kircuit | Model: WMH53521HZ Series (Z0 Models), Part 9

[Overview](#)

[Compatibility](#)

[Safety](#)

[Installation](#)

[Maintenance](#)

[Troubleshooting](#)

[Specifications](#)

[Support](#)

## 1. PRODUCT OVERVIEW

---

This manual provides instructions for the Kircuit Upper Interlock Assembly, a replacement part designed for specific Whirlpool WMH53521HZ series microwave ovens. The upper interlock assembly is a critical safety component that ensures the microwave oven does not operate when the door is open. This part includes the necessary switches for proper function.

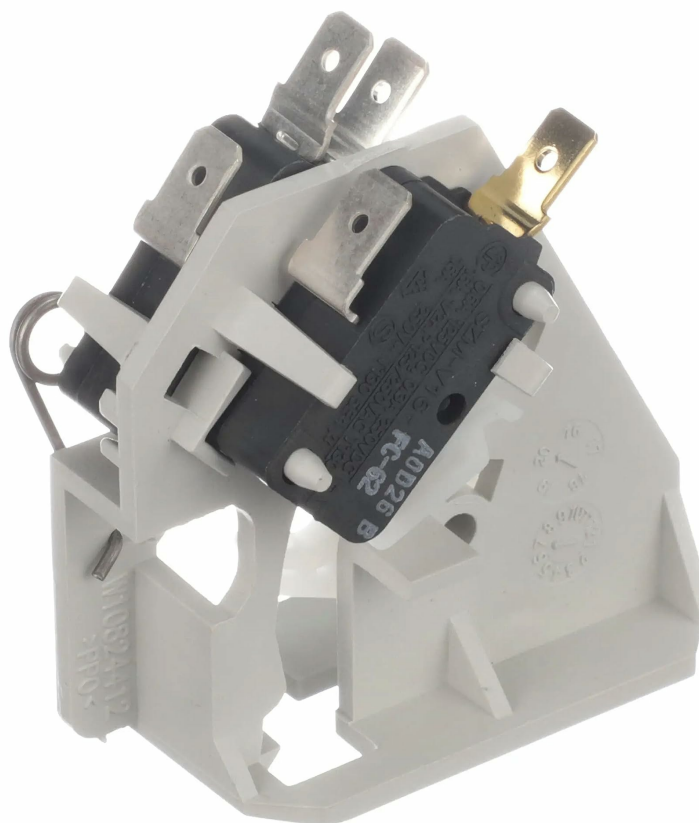


Figure 1: Kircuit Upper Interlock Assembly (Part 9)

## 2. COMPATIBILITY AND PART IDENTIFICATION

---

This Kircuit Upper Interlock Assembly (Part 9) is specifically compatible with Whirlpool WMH53521HZ series microwave ovens, designated for **Z0 models only** (e.g., WMH53521HZ0). It is crucial to verify your microwave's full model number to ensure correct part selection.

### Identifying the Correct Part

To ensure you have the correct replacement part, follow these steps:

1. **Locate Your Microwave's Group Parts:** Refer to the diagram below to understand the different sections of a microwave. The Upper Interlock Assembly is part of the Interior and Ventilation Parts group.

### Step1

Locate your Group Parts from the following picture.  
(There are total 6 Group Parts in a microwave.)

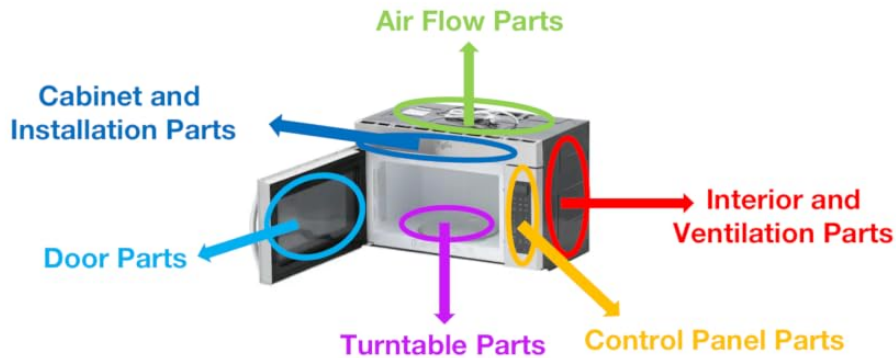


Figure 2: Microwave Group Parts Overview

2. **Verify Part Number:** Confirm that your microwave's required part is indeed the "Upper Interlock (includes Switches)" and corresponds to Part 9 for Z0 models.

### Step3

Compare your original part with the Group Parts picture, choose the right Part Number from listing's Drop Down Menu to complete the purchase.

ng › Small Appliance Parts & Accessories › Microwave Oven Parts & Accessories › Microw

**AIR FLOW PARTS**

Kircuit Repl Whirlpool N WMH3251E Deflector, A Parts  
Brand: Kircuit  
New to Amazon  
\$45<sup>31</sup>

Deflector, Air of Air Flow  
Brand: Kircuit  
\$45<sup>31</sup>

Material Type: #1 Deflector, Air

13 COVER-SIDE	1 Deflector, Air	10 Whirlpc
\$69.00	\$45.31	\$61.77

Roll over image to zoom in

Figure 3: Example of Part Number Verification

## 3. IMPORTANT SAFETY INFORMATION

Before attempting any repair or installation on your microwave oven, please read and understand all safety warnings. Failure to follow these instructions may result in electric shock, fire, property damage, or personal injury.

- **Disconnect Power:** Always unplug the microwave oven from the electrical outlet before beginning any service or installation.
- **Discharge Capacitor:** Microwave ovens contain a high-voltage capacitor that can store a lethal electrical charge even after the unit is unplugged. It is essential to safely discharge this capacitor before touching any internal components. If you are unfamiliar with this procedure, seek assistance from a qualified technician.

- **Wear Protective Gear:** Use appropriate personal protective equipment, such as insulated gloves and safety glasses.
- **Handle with Care:** Microwave components can have sharp edges. Handle parts carefully to avoid cuts.
- **Professional Assistance:** If you are unsure about any step or uncomfortable performing the repair, consult a qualified appliance repair technician.

## 4. INSTALLATION INSTRUCTIONS

This section outlines the general procedure for replacing the upper interlock assembly. Specific steps may vary slightly depending on your exact microwave model. Refer to the exploded diagram for component locations.

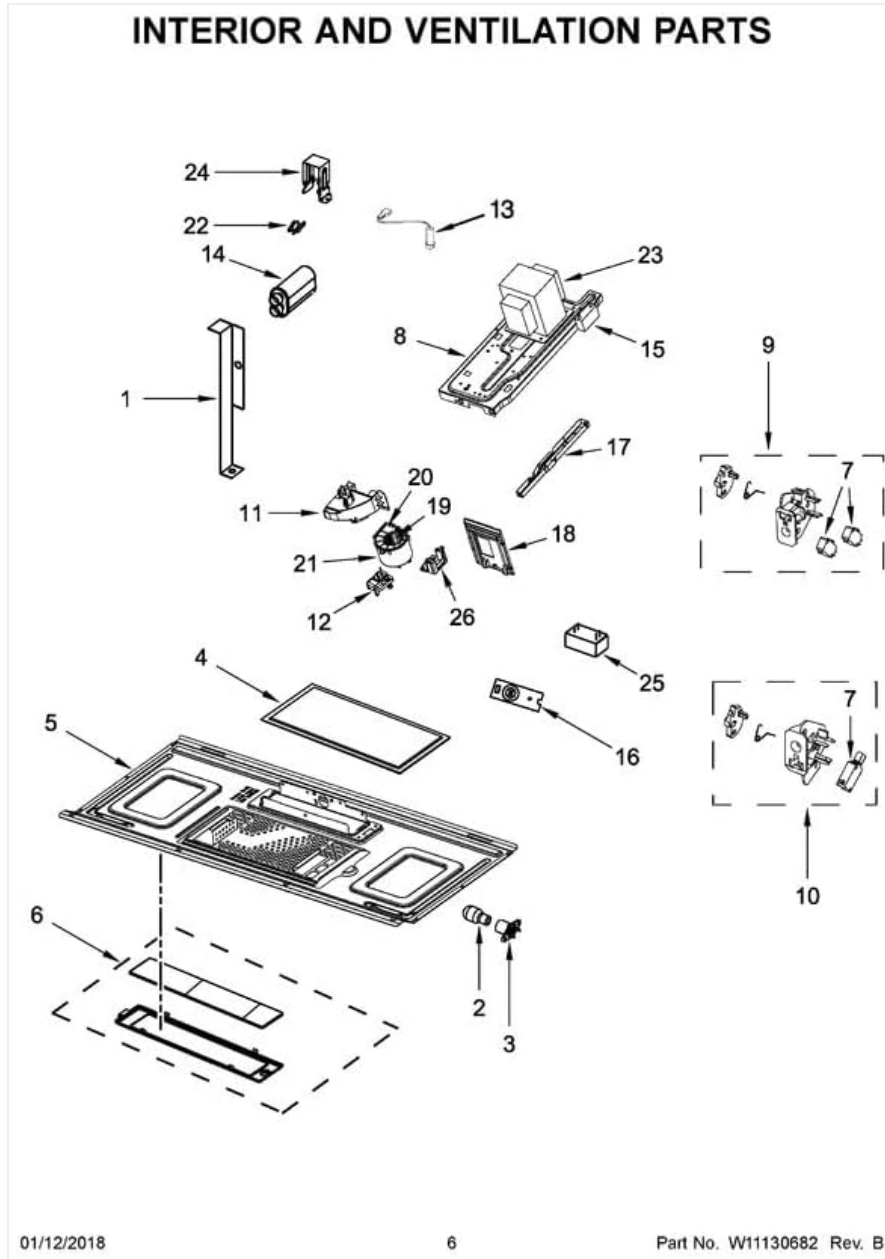


Figure 4: Exploded View of Interior and Ventilation Parts (Part 9 is the Upper Interlock Assembly)

### Required Tools:

- Screwdriver set (Phillips and/or flathead)
- Needle-nose pliers
- Multimeter (for testing, optional but recommended)

## Step-by-Step Procedure:

### 1. Prepare for Installation:

- Ensure the microwave oven is unplugged from the power outlet.
- Carefully discharge the high-voltage capacitor. If unsure, consult a professional.
- Move the microwave to a clear, stable workspace.

### 2. Access the Interlock Assembly:

- Depending on your model, you may need to remove the outer casing or the control panel to access the door interlock switches. This typically involves removing screws from the back and sides of the microwave.
- Locate the upper interlock assembly, usually positioned near the top of the microwave door frame, where the door latches. Refer to Figure 4, identifying Part 9.

### 3. Disconnect the Old Assembly:

- Carefully disconnect the electrical wires attached to the old interlock switches. Note the position and color of each wire for correct reattachment. Taking a photo before disconnecting can be helpful.
- Remove any screws or clips securing the old upper interlock assembly in place.
- Gently remove the old assembly.

### 4. Install the New Assembly:

- Position the new Kircuit Upper Interlock Assembly (Part 9) into the designated slot.
- Secure it with the screws or clips previously removed. Ensure it is firmly seated and aligned correctly.
- Reconnect the electrical wires to the new switches, matching them to their original positions. Ensure all connections are secure.

### 5. Reassemble and Test:

- Carefully reattach any removed panels or the outer casing, securing all screws.
- Plug the microwave oven back into the electrical outlet.
- Perform a functional test: Open and close the door several times to ensure the latch mechanism engages properly. Attempt to start the microwave with the door open (it should not start) and then with the door closed (it should start).

## 5. OPERATION (POST-INSTALLATION CHECK)

---

After successful installation of the Kircuit Upper Interlock Assembly, the microwave oven should operate as follows:

- The microwave should only operate when the door is fully closed and latched.
- Opening the door during operation should immediately stop the microwave's function.
- The interior light should illuminate when the door is opened (if applicable to your model).

If the microwave does not behave as described, refer to the Troubleshooting section.

## 6. MAINTENANCE

---

The Kircuit Upper Interlock Assembly is designed for durability and typically requires minimal maintenance. However, regular inspection of the microwave door and latch mechanism can help prevent future issues.

- **Keep Clean:** Ensure the area around the door latch and interlock switches is free from food debris or

spills, which can interfere with proper operation.

- **Gentle Use:** Avoid slamming the microwave door, as this can put undue stress on the interlock switches and latch mechanism, potentially leading to premature wear or damage.
- **Periodic Inspection:** Periodically check the door for proper alignment and ensure it closes securely without excessive force.

## 7. TROUBLESHOOTING

---

If you encounter issues after installing the upper interlock assembly, consult the following troubleshooting guide:

Problem	Possible Cause	Solution
Microwave does not start with door closed.	Incorrect wiring of new interlock switch. New switch is faulty. Door not fully latched.	Verify all wire connections are correct and secure. Test the new switch with a multimeter for continuity. Check for obstructions preventing the door from closing completely.
Microwave starts with door open.	Interlock switch stuck in closed position. Incorrect wiring.	Immediately unplug the microwave. This is a serious safety hazard. Re-check switch installation and wiring. Replace switch if faulty.
Door does not latch properly.	Misalignment of interlock assembly. Damaged door latch components.	Ensure the interlock assembly is correctly seated and aligned. Inspect other door latch components for damage.

If troubleshooting steps do not resolve the issue, contact customer support or a qualified technician.

## 8. SPECIFICATIONS

---

Feature	Detail
Part Name	Upper Interlock Assembly (includes Switches)
Part Number	9
Brand	Kircuit
Compatibility	Whirlpool WMH53521HZ Series (Z0 Models)
Material Type	9 Whirlpool Assembly, Upper Interlock (includes Switches) (only for Z0)
ASIN	B0CF95B7L7
Date First Available	August 10, 2023

## 9. WARRANTY AND CUSTOMER SUPPORT

---

### Warranty Information

For specific warranty details regarding your Kircuit Upper Interlock Assembly, please refer to the warranty documentation provided with your purchase or contact Kircuit customer support directly. Warranty terms typically cover manufacturing defects for a specified period.

### **Customer Support**

If you have any questions, require assistance with installation, or need to report a defective part, please contact Kircuit customer support. Have your product model number and purchase information ready when contacting support.

Contact information can typically be found on the product packaging or the seller's website.