



[Manuals.plus](#) /

> [Yaheetech](#) /

> Yaheetech Twin Bed Frame Instruction Manual - Model YT-00127898

## Yaheetech YT-00127898

# Yaheetech Twin Bed Frame Instruction Manual

Model: YT-00127898

## 1. INTRODUCTION

---

This manual provides detailed instructions for the assembly, operation, and maintenance of your Yaheetech Twin Bed Frame. This Scandinavian-style platform bed is constructed from natural pine wood and designed for durability and ease of use. Please read all instructions carefully before beginning assembly and retain this manual for future reference.



Image 1.1: Assembled Yaheetech Twin Bed Frame. This image shows the complete bed frame without a mattress, highlighting its minimalist design and sturdy structure.

## 2. SAFETY INFORMATION

---

- Ensure all bolts and screws are securely tightened before use. Periodically check and retighten fasteners to maintain stability.
- Do not exceed the maximum weight capacity of 450 lbs (204 kg).
- Keep small parts away from children during assembly to prevent choking hazards.
- Assemble the bed frame on a soft, clean surface to prevent damage to the product or your flooring.
- Avoid standing or jumping on the bed frame, as this may compromise its structural integrity.

## 3. PACKAGE CONTENTS

---

Before beginning assembly, verify that all components are present and undamaged. The package should include:

- Bed Frame components
- Wooden Slats
- Hardware pack (screws, bolts, Allen wrench)

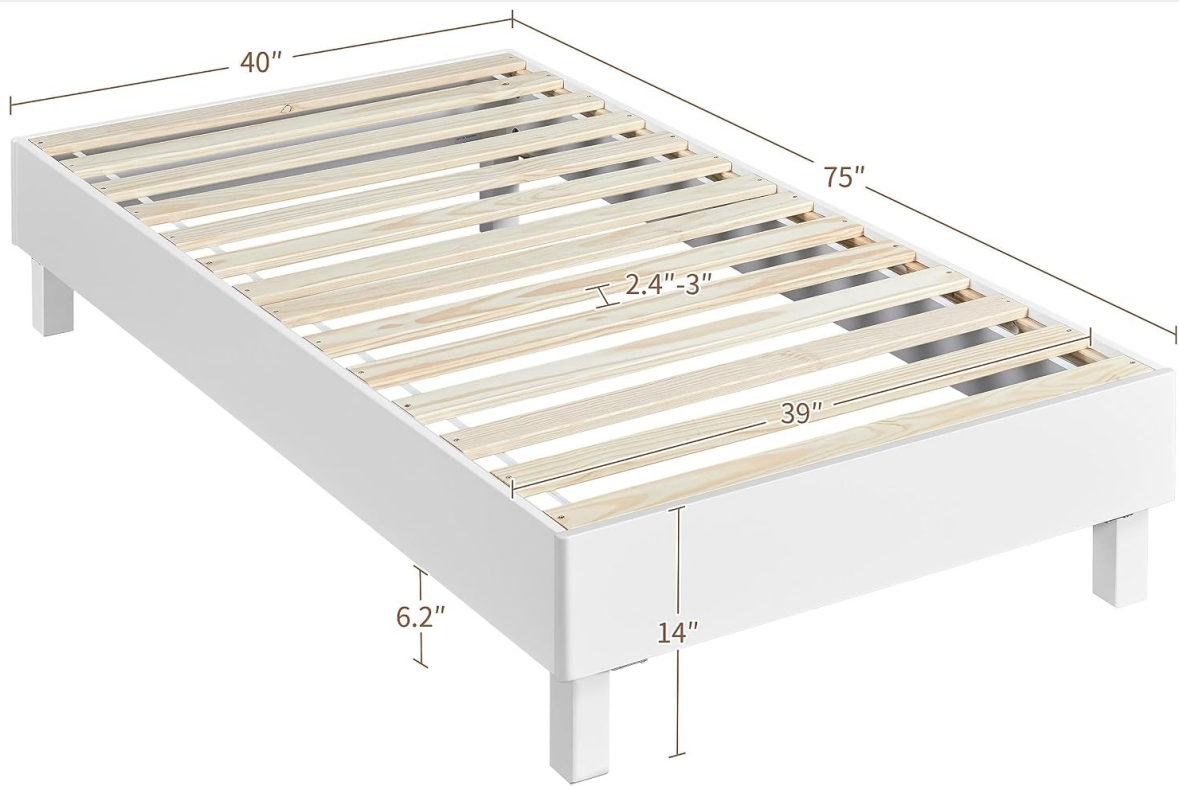
- Installation Manual (this document)

## 4. SPECIFICATIONS



Image 4.1: Detailed specifications of the Yaheetech Twin Bed Frame. This graphic outlines the standard size, materials, weight capacity, and overall dimensions.

| Feature                        | Detail                                          |
|--------------------------------|-------------------------------------------------|
| Standard Size                  | Twin                                            |
| Material                       | Pine Wood, MDF                                  |
| Product Dimensions (L x W x H) | 75" x 40" x 14" (190.5 cm x 101.6 cm x 35.5 cm) |
| Applicable Mattress Size       | 75" L x 39" W (190.5 cm x 99 cm)                |
| Maximum Weight Capacity        | 450 lbs (204 kg)                                |
| Ground Clearance               | 6.2 inches (15.7 cm)                            |
| Item Weight                    | 56.35 lbs (25.6 kg)                             |
| Color                          | White                                           |
| Assembly Required              | Yes                                             |



## SIZE

Twin

## MAX. WEIGHT CAPACITY

450lb

## APPLICABLE MATTRESS SIZE

75" L × 39" W

Image 4.2: Dimensional overview of the Yaheetech Twin Bed Frame. This diagram illustrates the length, width, height, and ground clearance measurements.

## 5. SETUP AND ASSEMBLY

The Yaheetech Twin Bed Frame is designed for straightforward assembly. It is recommended to have two people for easier setup. An Allen wrench is typically included for assembly. Follow the step-by-step diagrams provided in the separate assembly guide for detailed instructions.

- 1. Unpack Components:** Carefully remove all parts from the packaging and lay them out on a clean, soft surface. Verify all parts against the package contents list.
- 2. Assemble Frame:** Connect the side rails and end panels using the provided hardware. Ensure all connections are finger-tight before fully tightening.
- 3. Install Support Legs:** Attach any central support legs or additional frame supports as indicated in the assembly guide.
- 4. Place Slats:** Position the wooden slats across the frame. The detachable wooden slats are designed for easy placement and removal. Ensure they are evenly spaced and secured if fasteners are provided. The 2.8-inch spacing between slats provides optimal mattress support and breathability.
- 5. Final Tightening:** Once all components are in place, fully tighten all bolts and screws using the provided Allen wrench. Do not overtighten.



**Wood slat**



**Sturdy support leg**



Image 5.1: Close-up view of the wood slats and a sturdy support leg. This image highlights the construction of the slat system and the robust design of the bed frame's legs.

# SPECIFICATIONS

Standard Size: Twin

Material: Pine, MDF

Weight Capacity: 204kg

Applicable Mattress Size: 190.5cm L × 99cm W

Assembly Required: Yes

Overall Dinmensions: 190.5 × 100.5 × 35.5 cm

Ground Clearance: 6.2"

N.W.: 25.6 kg G.W.: 28.4 kg

Color: White & Wood



Image 5.2: Illustration of the 2.8-inch spaced wooden slats. This detail emphasizes the design feature that provides excellent mattress support.

## 6. OPERATING INSTRUCTIONS

---

This bed frame is designed to support a standard US twin mattress directly, eliminating the need for a box spring. The solid wood slat support system is suitable for various mattress types, including memory foam, latex, hybrid, or spring mattresses, and helps extend their lifespan.

- Place your twin-sized mattress directly onto the wooden slats.
- Ensure the mattress is centered and fully supported by the frame.
- The bed frame has a maximum weight capacity of 450 lbs (204 kg). Do not exceed this limit.



Image 6.1: Diagram illustrating the multi-point support system and 450 lb weight capacity. This image highlights the robust construction designed for stability and durability.

## 7. MAINTENANCE

---

Regular maintenance will help prolong the life and appearance of your bed frame.

- **Cleaning:** The frame is crafted with natural pine wood slats and MDF boards, providing a smooth, easy-to-clean surface. Wipe down the frame with a soft, damp cloth. Avoid harsh chemicals or abrasive cleaners.
- **Under-bed Clearance:** The 6.2-inch (15.7 cm) clearance space under the bed allows for easy cleaning, including access for most robotic vacuum cleaners.
- **Fastener Check:** Periodically check all bolts and screws to ensure they remain tight. Retighten as necessary to maintain the bed frame's stability and prevent noise.



## **6.2" OF GROUND CLEARANCE**

Ensure cleaning robots pass through easily

Image 7.1: View showing the 6.2-inch ground clearance. This image demonstrates how the elevated design allows for easy cleaning underneath the bed, including robotic vacuum access.



Image 7.2: Graphic illustrating the 6.2-inch ground clearance, specifically mentioning its benefit for cleaning robots. This image reinforces the ease of maintenance.

## 8. TROUBLESHOOTING

| Problem                             | Possible Cause                                                                    | Solution                                                                                                                                                                        |
|-------------------------------------|-----------------------------------------------------------------------------------|---------------------------------------------------------------------------------------------------------------------------------------------------------------------------------|
| Bed frame is wobbly or unstable.    | Loose fasteners. Uneven floor.                                                    | Ensure all bolts and screws are fully tightened. Check if the bed is on a level surface; use shims if necessary.                                                                |
| Squeaking noises.                   | Loose connections between frame parts or slats.                                   | Retighten all hardware. Ensure slats are properly seated and not rubbing against the frame. Apply a small amount of lubricant (e.g., paraffin wax) to contact points if needed. |
| Mattress sags or feels unsupported. | Slats are not properly spaced or secured.<br>Mattress is too heavy for the frame. | Verify that all wooden slats are correctly positioned and evenly distributed. Ensure your mattress weight does not exceed the 450 lb capacity.                                  |

## 9. WARRANTY AND SUPPORT

For specific warranty information or if you encounter any issues not covered in this manual, please contact Yaheetech customer support. Refer to your purchase documentation or the Yaheetech official website for contact details.

When contacting support, please have your model number (YT-00127898) and purchase date readily available.