

Vente-unique PEDRO

Vente-unique Pedro Combined Single Bed User Manual

Model: PEDRO

INTRODUCTION

The Vente-unique Pedro Combined Single Bed is a multi-functional furniture piece designed to optimize space in a room. It features an integrated desk, spacious drawers, a niche, and a cupboard, providing ample storage and a dedicated workspace. This bed is compatible with all 90x200 cm mattresses and bed bases.

SAFETY INFORMATION

- **Maximum Load Capacity:** Do not exceed a total load of 60 kg on the bed to ensure safety.
- **Desk Load Capacity:** The integrated desk supports a maximum load of 15 kg.
- **Drawer Load Capacity:** Each drawer supports a maximum load of 15 kg.
- **Assembly:** This product requires self-assembly. Follow all instructions carefully.
- **Supervision:** For children, ensure proper supervision during use, especially when accessing the bed or desk.
- **Ventilation:** Ensure adequate ventilation in the room.
- **Stability:** Regularly check all connections and fasteners to ensure the bed remains stable.

PACKAGE CONTENTS

Before beginning assembly, verify that all components listed below are present and undamaged. If any parts are missing or damaged, please contact customer support.

- Pedro Combined Single Bed structure (particle board, melamine finish)
- Integrated desk components

- Two sliding drawers
- One niche component
- One cupboard component
- Kalista Slat Bed Base (metal frame, 19 poplar wood slats)
- All necessary hardware (screws, dowels, connectors, etc.)
- Assembly instructions manual

SETUP AND ASSEMBLY

Assembly of the Vente-unique Pedro Combined Single Bed requires two adults. Please follow the steps carefully. Tools required (not included): Phillips head screwdriver, hammer, measuring tape.

Step 1: Prepare the Area and Identify Parts

Clear a spacious area for assembly. Unpack all components and lay them out. Refer to the parts list in the separate assembly guide (if provided) to identify each piece.



Image: Kalista slat bed base components. This image shows the metal frame and wooden slats that form the bed base.

Step 2: Assemble the Bed Frame

Begin by assembling the main bed frame structure. Connect the side panels and end panels using the provided hardware. Ensure all connections are secure but do not overtighten until the entire frame is aligned.



Image: Partially assembled Vente-unique Pedro bed frame. This image illustrates the bed frame with some side panels and the desk structure in place.

Step 3: Install the Integrated Desk and Storage Units

Attach the desk surface and its supporting panels. Then, assemble and integrate the two sliding drawers, the niche, and the cupboard into their designated positions within the bed structure. Ensure drawers slide smoothly and cupboard doors open and close correctly.

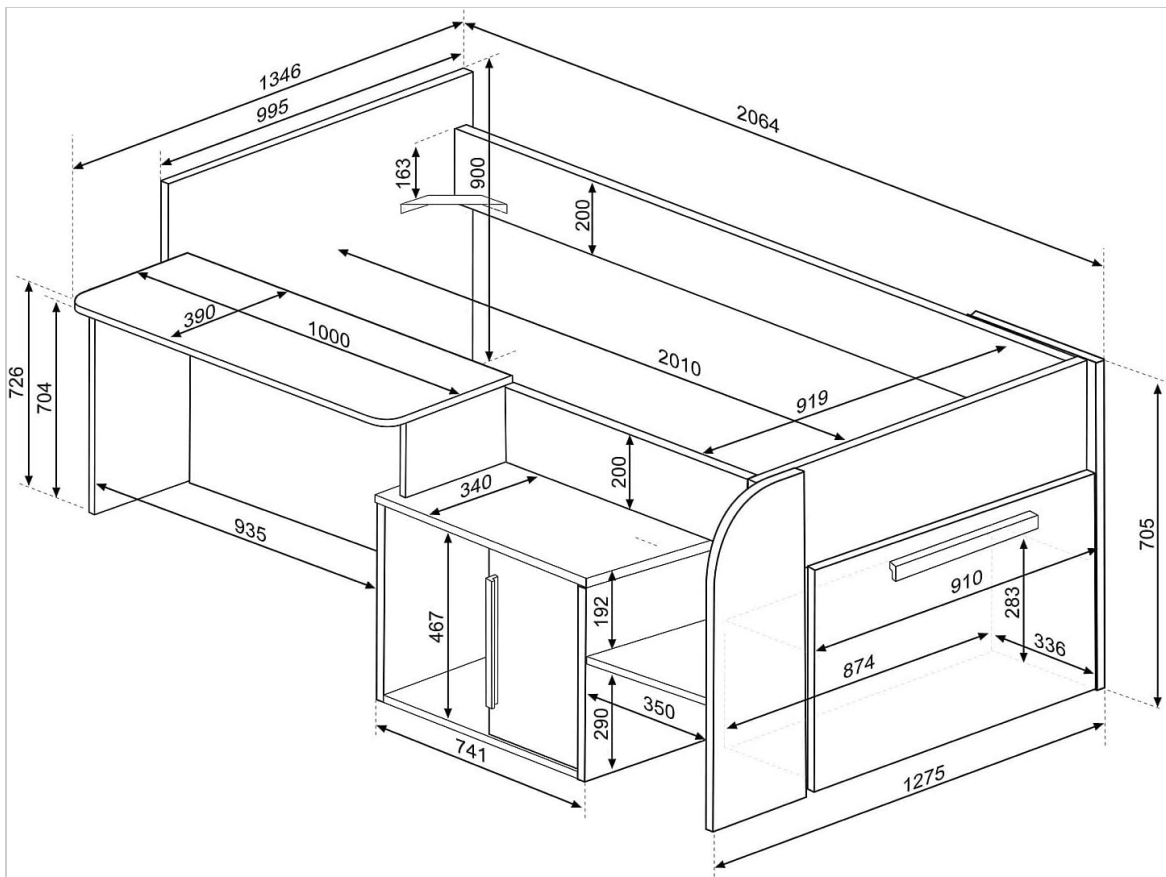


Image: Vente-unique Pedro bed with integrated desk and storage units. This image shows the bed fully assembled with the desk, drawers, and cupboard visible.

Step 4: Install the Slat Bed Base

Place the Kalista slat bed base into the assembled bed frame. Ensure it fits securely and is properly supported. The bed base is designed for a 90x200 cm mattress.



Image: Vente-unique Pedro bed with mattress and bedding. This image displays the bed ready for use, showing the mattress and a comfortable setup.

Step 5: Final Checks

Once assembly is complete, double-check all screws and fasteners to ensure they are tight. Verify the stability of the entire structure. Place your 90x200 cm mattress on the bed base.



Image: Vente-unique Pedro bed in a room setting. This image shows the bed integrated into a bedroom, highlighting its functional design.

OPERATION

The Pedro Combined Single Bed is designed for daily use as a sleeping area, study space, and storage solution.

Using the Bed

- Ensure a 90x200 cm mattress is placed securely on the slat base.
- The bed is designed for a single occupant.
- Do not jump on the bed or exceed the maximum weight limit of 60 kg.

Using the Desk

- The integrated desk provides a stable surface for studying or working.
- Do not place items heavier than 15 kg on the desk surface.
- Avoid placing hot items directly on the melamine surface to prevent damage.

Using the Storage

- The two sliding drawers are suitable for clothes, books, or other personal items. Each drawer has a maximum load capacity of 15 kg.
- The niche and cupboard offer additional space for organization.
- Distribute weight evenly within drawers and shelves to maintain stability.



Image: Vente-unique Pedro bed with drawers and cupboard open. This image demonstrates the storage capabilities of the bed, showing the drawers and cupboard in use.

MAINTENANCE

Proper care will extend the life and appearance of your Vente-unique Pedro Combined Single Bed.

- **Cleaning:** Wipe surfaces with a damp cloth. Avoid abrasive cleaners or harsh chemicals, as they can damage the melamine finish.
- **Spills:** Clean up spills immediately to prevent staining or damage to the wood particle board.
- **Hardware:** Periodically check all screws, bolts, and fasteners to ensure they are tight. Retighten if necessary to maintain structural integrity.
- **Environment:** Avoid exposing the furniture to extreme temperatures or humidity, which can cause warping or damage.

TROUBLESHOOTING

If you encounter any issues with your Pedro Combined Single Bed, refer to the following common solutions:

- **Squeaking Noises:** If the bed makes squeaking noises, check all frame connections and the slat base. Tighten any loose screws. Ensure the mattress is properly seated.

- **Drawers Sticking:** If drawers are difficult to open or close, check for obstructions in the tracks. Ensure the drawer slides are clean and properly aligned.
- **Instability:** If the bed feels unstable, immediately cease use and re-check all assembly points. Ensure all hardware is fully tightened and the bed is on a level surface.
- **Missing Parts:** If you discover missing parts during assembly, do not attempt to force assembly. Contact customer support for replacement parts.

SPECIFICATIONS

Feature	Detail
Model Number	PEDRO
Brand	Vente-unique
Bed Dimensions (L x W x H)	206.4 cm x 134.6 cm x 90 cm
Sleeping Dimensions	90 x 200 cm (Single)
Sleeping Height (from floor)	70.5 cm
Material	Particle board (Melamine finish), Metal (Kalista slat base)
Color	Light Natural, White
Storage Type	2 Drawers, 1 Niche, 1 Cupboard
Maximum Bed Load Capacity	60 kg
Maximum Desk Load Capacity	15 kg
Maximum Drawer Load Capacity	15 kg (each)
Assembly Required	Yes
Product Weight	99.6 kg
Country of Origin	France

WARRANTY AND SUPPORT

For warranty information, please refer to the purchase documentation or contact Vente-unique customer service directly. Vente-unique offers a standard return policy of 30 days for this product. If you require assistance with assembly, have questions about product use, or need to report missing/damaged parts, please contact Vente-unique customer support:

- **Online Support:** Visit the official Vente-unique website for FAQs and contact options.
- **Seller Information:** This product is sold by [Vente-unique Belgique fr](#).
- **Brand Store:** Explore other products from Vente-unique at their [official brand store](#).

