

R-2867

Supreme Boat Trim Tabs R-2867

Model: R-2867 | 19 x 17 Inch (Set of 2)

1. INTRODUCTION

This document serves as an informational guide for the Supreme Boat Trim Tabs, Model R-2867. These trim tabs are designed to assist in optimizing the performance and handling of your boat. This manual provides an overview of the product, its specifications, and general recommendations for care and maintenance. Please note that detailed installation instructions and hardware are not included with the product and should be sourced from a qualified marine professional or the boat manufacturer's documentation.

2. PRODUCT OVERVIEW

The Supreme Boat Trim Tabs R-2867 are a set of two high-quality stainless steel trim tabs, specifically designed for Supreme Boats. These tabs are crucial for adjusting the boat's running attitude, which can improve speed, fuel efficiency, and ride comfort by allowing the operator to fine-tune the boat's trim.

Each trim tab is constructed from durable 12-gauge stainless steel, ensuring longevity and resistance to marine environments. They feature a polished finish for enhanced aesthetics and corrosion protection.



Figure 2.1: A pair of Supreme Boat Trim Tabs (Model R-2867) made from polished stainless steel. These tabs are designed to be mounted on the transom of a boat to adjust its running attitude.



Figure 2.2: An alternative perspective of the Supreme Boat Trim Tabs, showcasing the robust hinge assemblies that facilitate their movement and attachment to the boat's transom.

3. SAFETY INFORMATION

Always prioritize safety when working with marine equipment. While these trim tabs are passive components, proper handling and installation are crucial to prevent injury and ensure safe boat operation.

- Wear appropriate personal protective equipment (PPE), such as gloves and eye protection, when handling the trim tabs.
- Ensure the boat is securely supported and powered off before any installation or maintenance work.
- Consult a qualified marine technician for installation if you are unsure about the process.
- Keep children and pets away from the work area.

4. INSTALLATION (SETUP)

Important Note: Hardware and a detailed installation manual are NOT included with this product. Professional installation by a certified marine technician is highly recommended to ensure correct placement, secure mounting, and optimal performance, as well as to prevent damage to your vessel.

Each trim tab is designed to mount with two hinges, featuring a total of ten 1/4-inch diameter mounting holes. The precise location and method of attachment will depend on your specific boat model and existing transom structure. Refer to your boat's manufacturer guidelines or consult a marine professional for proper installation procedures.

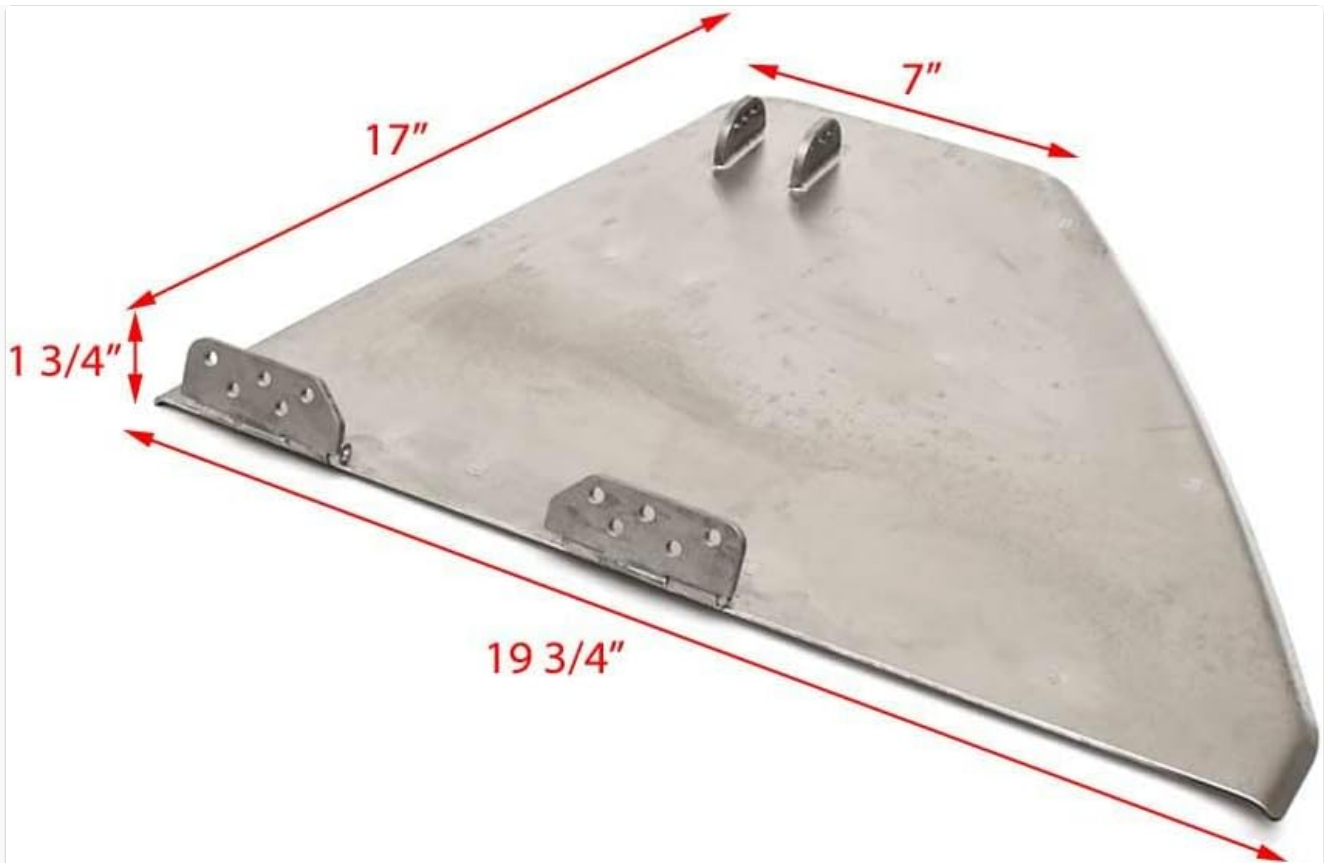


Figure 4.1: Dimensions of a single Supreme Boat Trim Tab. The overall width is 19 3/4 inches, length is 17 inches, and the blade height is 1 3/4 inches. These measurements are critical for determining compatibility and mounting location.



Figure 4.2: The underside of the trim tabs, revealing the structural ribs that provide rigidity and the attachment points for the hinges. This view is important for understanding the mounting surface.

5. OPERATION

Supreme Boat Trim Tabs are passive components that, once installed, work in conjunction with an external hydraulic or electric actuator system (not included) to adjust the boat's trim. The primary function of trim tabs is to provide lift at the stern, allowing the bow to be lowered. This adjustment can:

- **Improve Planing:** Help the boat get on plane faster, especially with heavy loads.
- **Correct Listing:** Compensate for uneven weight distribution, keeping the boat level.
- **Enhance Ride Comfort:** Reduce pounding in rough water by allowing the bow to cut through waves more effectively.
- **Optimize Fuel Efficiency:** Maintain an optimal running angle, reducing drag.

The actual "operation" involves controlling the actuator system, which moves these tabs up or down. Refer to the manual for your specific actuator system for operational instructions.

6. MAINTENANCE

Proper maintenance will extend the life and performance of your Supreme Boat Trim Tabs. Being made of stainless steel, they are highly resistant to corrosion, but regular care is still recommended.

- **Regular Cleaning:** Rinse the trim tabs with fresh water after each use, especially in saltwater environments, to remove salt, dirt, and marine growth.
- **Inspection:** Periodically inspect the tabs for any signs of damage, bending, or excessive wear. Check the hinges and mounting points for looseness or corrosion.
- **Polishing:** To maintain the polished finish, use a marine-grade stainless steel cleaner and polish as needed. Avoid abrasive cleaners or tools that could scratch the surface.
- **Fasteners:** If you have access to the mounting hardware (which is not included with the product), ensure all fasteners remain tight and secure.

7. TROUBLESHOOTING

As passive components, these trim tabs themselves do not typically "malfunction." Most issues related to trim tab performance stem from the associated actuator system or improper installation.

- **Tabs Not Moving:** If the trim tabs are not responding to controls, the issue is likely with the hydraulic or electric actuator system, its power supply, or control unit. Refer to the actuator system's manual for troubleshooting.
- **Uneven Trim:** If the boat consistently lists to one side, check for uneven weight distribution, or inspect the trim tabs and their actuators for any physical damage or misalignment.
- **Excessive Vibration/Noise:** This could indicate loose mounting hardware, damage to the tabs, or issues with the actuator system. Inspect the tabs and their mounting thoroughly.
- **Corrosion:** While stainless steel is resistant, prolonged exposure to harsh conditions without cleaning can lead to surface corrosion. Follow maintenance guidelines.

For any persistent issues, it is recommended to consult a qualified marine technician.

8. SPECIFICATIONS

Boat Manufacturer	Supreme Boats
Part Number	R-2867
Material	Stainless Steel
Gauge	12

Finish	Polished
Overall Dimensions (Each Blade)	19 3/4" W x 17" L x 1 3/4" H
Mounting Holes	(10) 1/4" Dia. per tab (via 2 hinges)
Item Weight (Set)	17.5 Pounds
Package Dimensions	20 x 18 x 3 inches

9. WARRANTY AND SUPPORT

Information regarding specific warranty coverage for the Supreme Boat Trim Tabs R-2867 is not provided with this product. For warranty inquiries or technical support, please contact the retailer from whom you purchased the product or the manufacturer, Supreme Boats, directly. It is advisable to retain your proof of purchase for any warranty claims.

© 2023 Supreme Boats. All rights reserved. This manual is for informational purposes only.

Product specifications are subject to change without notice.