

WIN STELLAR 36" x 80-80.75" Opening 1 Panel

WIN STELLAR Bifold Pantry/Closet Door 36 x 80 Inch Instruction Manual

Model: 36" x 80-80.75" Opening 1 Panel

INTRODUCTION

This manual provides comprehensive instructions for the safe and efficient installation, operation, and maintenance of your WIN STELLAR Bifold Pantry/Closet Door. Please read all instructions carefully before beginning installation or use. Retain this manual for future reference.

The WIN STELLAR bifold door is designed to maximize space and enhance the functionality of your interior spaces, such as closets, pantries, and storage rooms. It features solid core panels and durable hardware for smooth operation.

SAFETY INFORMATION

- Always wear appropriate safety gear, including gloves and eye protection, during installation.
- Ensure the door opening dimensions are compatible with the door size before installation. Refer to the size guide.
- Handle door panels with care to prevent damage or injury. They can be heavy.
- Keep small parts and hardware out of reach of children.
- If you are unsure about any step, consult a professional installer.

PACKAGE CONTENTS

Verify that all components are present and undamaged before beginning installation. If any parts are missing or damaged, contact WIN STELLAR customer service.

HARDWARE LIST

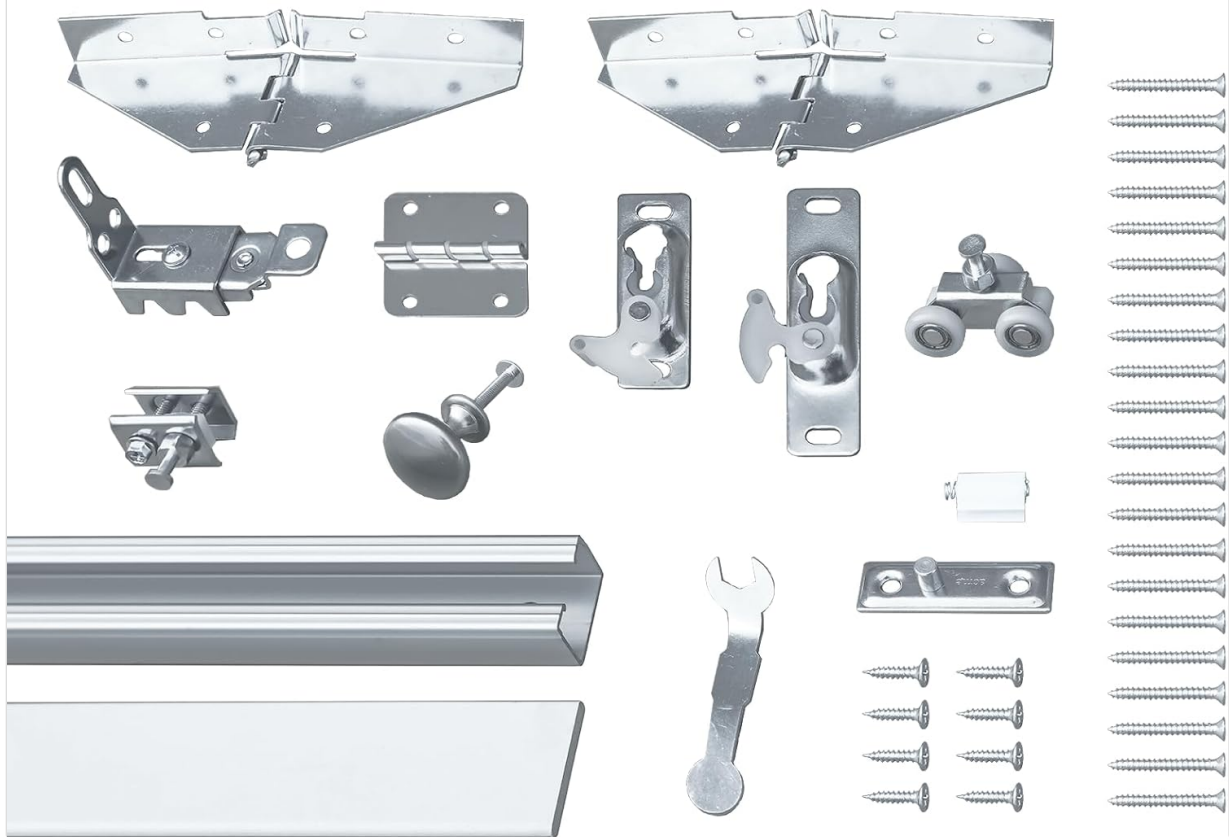


Image: All hardware components included in the WIN STELLAR Bifold Door kit, such as track, pivots, hinges, knob, and screws.

The package typically includes:

- 2 Door Panels (pre-assembled)
- Top Track
- Bottom Pivot Bracket
- Top Pivot
- Guide Wheel/Roller
- Hinges (pre-installed on panels)
- Door Knob
- Fascia (to conceal hardware)
- Mounting Screws and Fasteners
- Wrench (for adjustments)

SPECIFICATIONS

Attribute	Value
Brand	WIN STELLAR

Model	36" x 80-80.75" Opening 1 Panel
Material	Engineered Wood (Solid Core Panels)
Product Dimensions	0.83 x 36 x 80 inches
Item Weight	34.9 pounds
Assembly Required	No (Panels pre-assembled, hardware installation required)
Surface	Paintable & Water-Resistant
Certification	CARB P2 Certified



BIFOLD DOOR SIZE GUIDE

Image: Bifold Door Size Guide illustrating available widths (24", 30", 36", 48", 60", 72") and a consistent height of 77.69" for the door panels.



Image: CARB P2 Certified logo, indicating the material meets strict toxic emission standards and is environmentally friendly.

SETUP AND INSTALLATION

The WIN STELLAR bifold door is designed for quick installation, typically within 30 minutes. The door panels are pre-assembled, and all necessary hardware is included.

Pre-Installation Checks:

1. **Verify Opening Dimensions:** Ensure your door opening is between 80 and 80.75 inches in height and matches the width of your chosen door model (e.g., 36 inches).
2. **Inspect Components:** Unpack all parts and compare them against the package contents list. Check for any damage or missing items.
3. **Gather Tools:** You will need a drill, screwdriver, measuring tape, and a level.

Installation Steps:

Follow the detailed diagram below for visual guidance during installation.

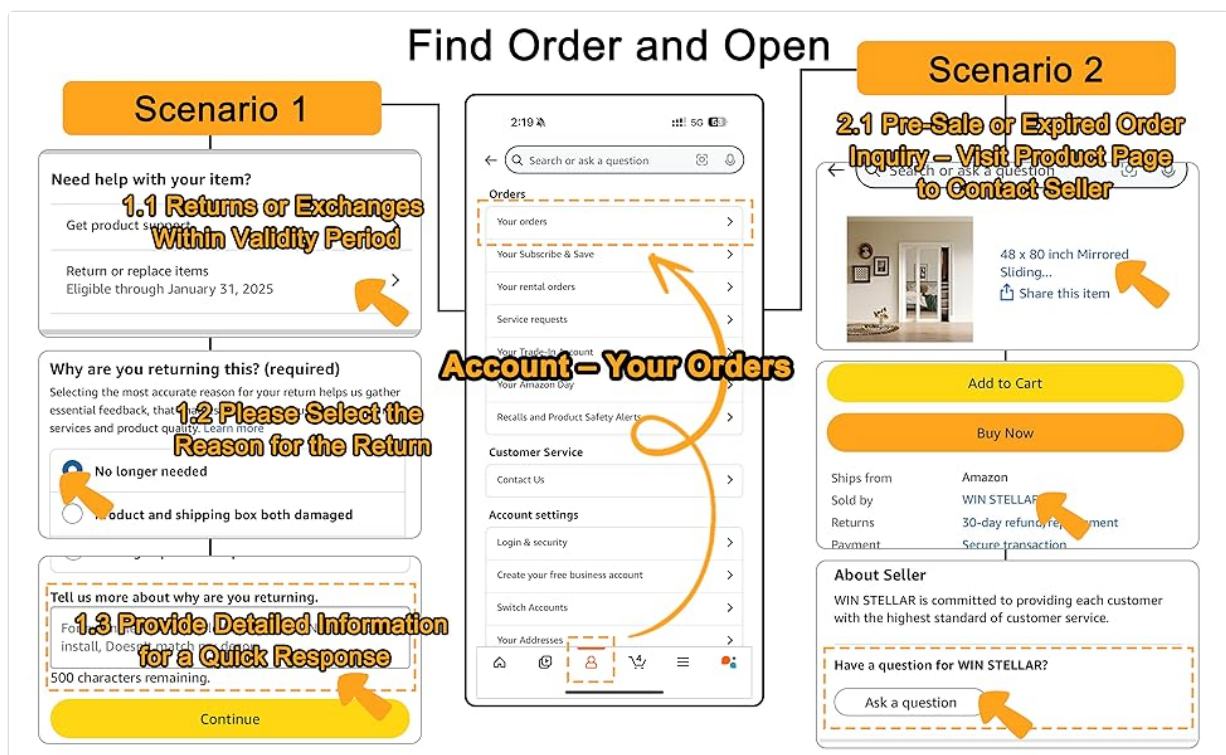


Image: A comprehensive diagram illustrating the step-by-step process for installing the bifold door, including mounting the track, pivots, and hanging the door panels.

1. **Install Top Track:** Secure the top track inside the door frame opening using the provided screws. Ensure it is level and centered.
2. **Install Bottom Pivot Bracket:** Mount the bottom pivot bracket on the floor or threshold, aligning it with the top track.
3. **Attach Top Pivot and Guide Wheel:** Insert the top pivot pin into the top of the door panel and the guide wheel into the other end of the top of the door panel.
4. **Hang the Door:**
 - Engage the bottom pivot pin into the bottom pivot bracket.
 - Lift the door slightly and insert the top pivot pin into the hole in the top track.
 - Slide the guide wheel into the track.
5. **Adjust Door Height:** For openings up to 80.5 inches, adjust the roller on the top pivot to increase the door's height for a snug fit.
6. **Install Door Knob:** Attach the door knob to the pre-drilled hole on the door panel.
7. **Install Fascia:** Attach the fascia panel to the top track to conceal the hardware from view.

After installation, test the door's operation to ensure it glides smoothly and closes properly.

OPERATING INSTRUCTIONS

Your WIN STELLAR bifold door is designed for smooth and quiet operation. To open the door, gently pull the knob towards you, allowing the panels to fold inward. To close, push the panels back into position until they are flat against the door frame.



Image: Illustration demonstrating how the bifold door folds up to 90%, saving space and creating a more open environment.

The bifold design maximizes valuable space, making it ideal for areas where traditional swinging doors are impractical. The door glides effortlessly and is designed not to rattle.

MAINTENANCE

Regular maintenance will ensure the longevity and smooth operation of your bifold door.

- **Cleaning:** Wipe the door panels with a soft, damp cloth. Avoid abrasive cleaners or harsh chemicals

that could damage the paintable and water-resistant surface.

- **Track Lubrication:** Periodically apply a silicone-based lubricant to the top track to ensure smooth gliding of the rollers. Do not use oil-based lubricants, as they can attract dust and debris.
- **Hardware Check:** Annually inspect all screws, pivots, and hinges for tightness. Tighten any loose fasteners to prevent rattling or misalignment.
- **Surface Care:** The door surface is paintable. If you choose to paint it, use a high-quality interior paint suitable for engineered wood.



Image: The door surface is designed to be scratch-resistant, contributing to its durability and ease of maintenance.

TROUBLESHOOTING

Problem	Possible Cause	Solution
Door does not glide smoothly.	Track is dirty or rollers are dry.	Clean the track and lubricate rollers with silicone spray.
Door rattles when opening/closing.	Loose hardware or improper adjustment.	Check and tighten all screws on pivots, hinges, and track. Adjust the top pivot for a tighter fit if necessary.
Door does not close completely or leaves a gap.	Misaligned track or pivots, or incorrect height adjustment.	Verify the top track is level. Adjust the height of the top pivot. Ensure the bottom pivot is correctly seated.
Door is difficult to open or close.	Obstruction in the track or damaged rollers.	Inspect the track for debris and remove any obstructions. Check rollers for damage and replace if necessary.

WARRANTY AND SUPPORT

WIN STELLAR is committed to providing quality products and customer satisfaction. If you encounter any issues, such as damage or missing parts, please contact our customer service team promptly.

For support, returns, or exchanges, please refer to the following guidelines:

- **Returns/Exchanges:** If within the validity period, initiate a return or exchange through your purchase platform (e.g., Amazon). You will typically need to select a reason for the return and provide detailed information.

- **Missing/Damaged Parts:** Contact WIN STELLAR directly for assistance. We will be happy to replace any damaged or missing components.



Image: Guide on how to access your order history and contact the seller for support or to initiate a return/exchange via the Amazon platform.

For direct inquiries, please visit the WIN STELLAR store page on Amazon or use the "Ask a question" feature on the product page.