



Manuals.plus /

› IHSENO /

› IHSENO ZigBee3.0 Smart Switch Mini Relay Switch User Manual

IHSENO ZigBee3.0 Smart Switch Mini Relay Switch

IHSENO ZigBee3.0 Smart Switch Mini Relay Switch User Manual

Model: ZigBee3.0 Smart Switch Mini Relay Switch

1. INTRODUCTION

The IHSENO ZigBee3.0 Smart Switch Mini Relay is an intelligent on-off device designed for smart home integration. Utilizing the ZigBee 3.0 protocol, this mini relay switch allows users to control lighting and other appliances through the Tuya Smart Life APP, voice commands via Alexa or Google Assistant, and custom scene modes. Its compact design ensures easy installation within existing electrical boxes.

2. SAFETY INFORMATION

WARNING: Electrical installation should only be performed by qualified personnel. Always turn off power at the circuit breaker before installing or servicing the device. Failure to do so may result in serious injury or death.

- Ensure the power supply is disconnected before installation.
- Verify that the operating voltage (AC 100-240V) and current rating (0.2 Amps) are compatible with your electrical system.
- Do not exceed the maximum load capacity of the switch.
- This device is designed for indoor use only.
- Keep out of reach of children.

The device has an International Protection Rating of IP54, indicating protection against dust and splashing water. However, it is not waterproof and should not be exposed to direct water.

3. PRODUCT FEATURES

- **ZigBee 3.0 Protocol:** Ensures high stability, strong anti-interference ability, and low power consumption.
- **Tuya Smart Life App Control:** Seamless integration with the Tuya/Smart Life APP for remote control and intelligent scene linkage.
- **Customizable Scene Modes:** Create personalized scenes like 'Reading' or 'Movie' for specific rooms or

activities.

- **Voice Control:** Compatible with Amazon Alexa and Google Assistant for hands-free operation.
- **Group Control:** Manage multiple smart switches simultaneously through the app.
- **Intelligent Timing:** Set schedules for automatic on/off operations to save energy.
- **Compact Design:** Mini size allows for easy installation within standard electrical boxes.

4. SPECIFICATIONS

Parameter	Value
Operation Mode	ON-OFF
Current Rating	0.2 Amps
Operating Voltage	AC 100-240 Volts
Contact Type	Normally Open
Brand	IHSENO
Terminal	Through Hole
Circuit Type	1-way
Contact Material	Copper, Brass, Silver
International Protection Rating	IP54
Connectivity Protocol	ZigBee
Control Method	App, Remote, Voice
Controller Type	Amazon Alexa, Google Assistant
Color	White
Dimensions	43mm x 43mm x 22mm (approx. 1.69in x 1.69in x 0.87in)

The IHSENO ZigBee3.0 Smart Switch Mini Relay is designed for seamless integration into your smart home ecosystem.

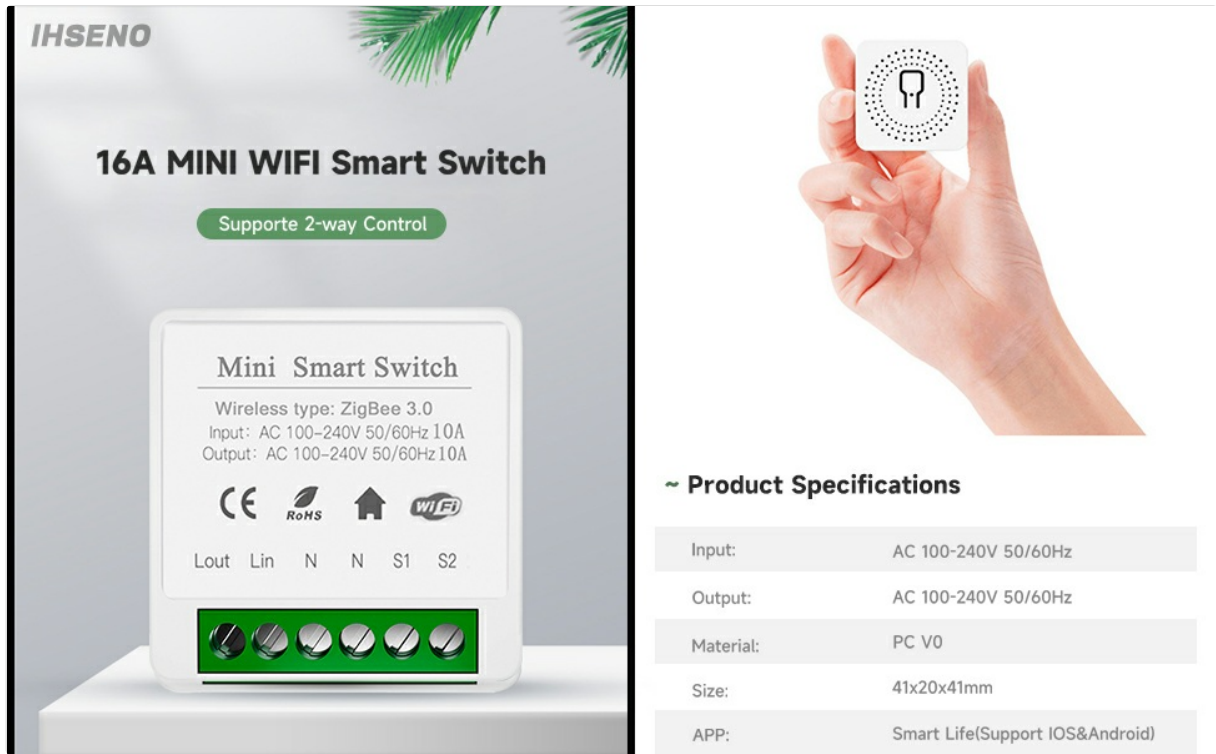


Image: Detailed view of the IHSENO Mini Smart Switch with its dimensions and basic specifications.

5. SETUP AND INSTALLATION

Before beginning installation, ensure the main power supply is turned off at the circuit breaker to prevent electrical shock.

5.1 Wiring Diagrams

The input and output connections cannot be reversed. Follow the diagrams carefully based on your specific wiring setup.

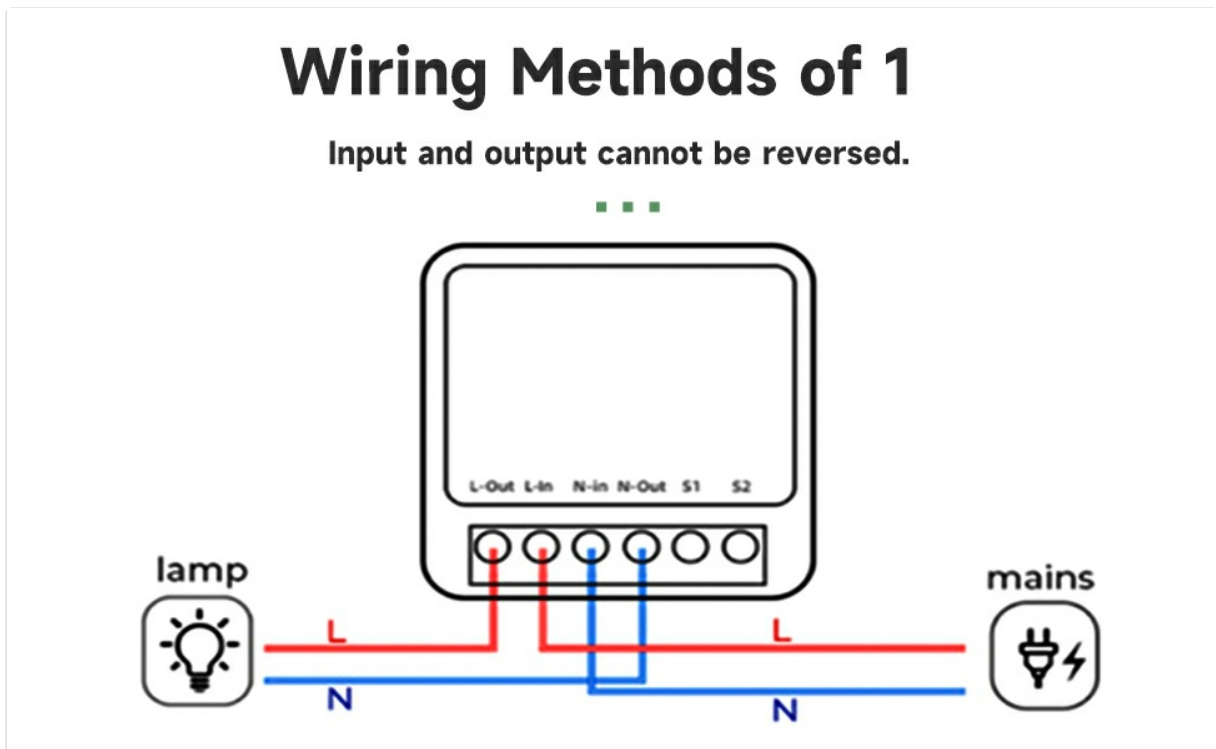


Image: Wiring Method 1 shows a direct connection of the smart switch between the mains power and a lamp. L-out connects to the lamp's live wire, N-out to the lamp's neutral wire. L-in and N-in connect to the mains live and neutral

respectively. S1 and S2 are not used in this configuration.



Image: Wiring Method 2 illustrates connecting the smart switch with a traditional 1-way wall switch. The mains live (L) and neutral (N) connect to L-in and N-in. The lamp connects to L-out and N-out. The 1-way switch connects to S1 and S2, allowing manual control while maintaining smart functionality.

Wiring Methods of 3

Input and output cannot be reversed.

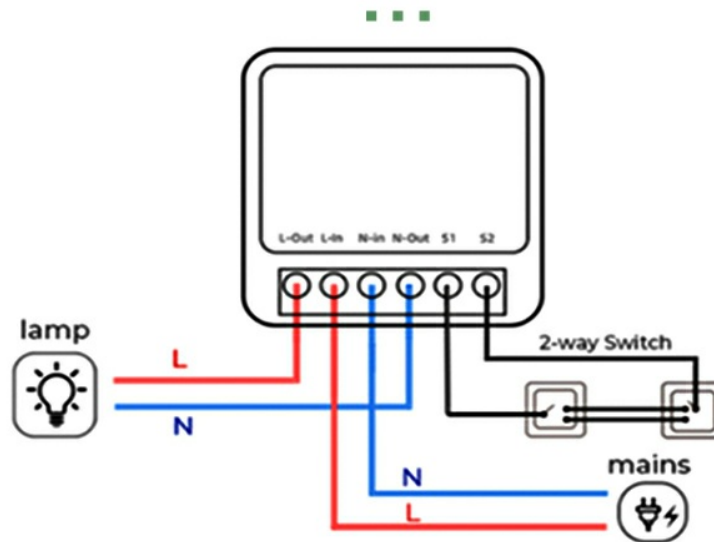
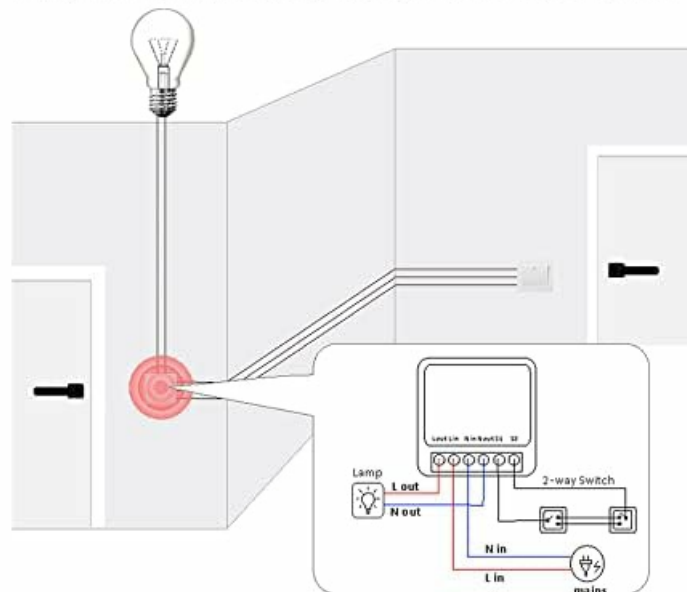


Image: Wiring Method 3 demonstrates connecting the smart switch with a 2-way wall switch setup. Similar to Method 2, mains live (L) and neutral (N) connect to L-in and N-in, and the lamp to L-out and N-out. The 2-way switch connects to S1 and S2, enabling manual control from two locations while integrating smart features.

Support 2 way control

Connect two parallel switches , Connect one series switches



1. The controller is only connected to line N and L, not connected to the switch
2. This smart DIY switch could be used for your old 2 way control switch. Especially, you still available to control the old switch manually after installed it.

Image: This diagram illustrates how the smart DIY switch supports 2-way control, allowing connection with two parallel switches or one series switch. It highlights that the controller connects only to line N and L, not directly to the switch, and allows manual control of the old switch after installation.

5.2 Pairing with ZigBee Gateway

1. Ensure your ZigBee gateway (hub) is powered on and connected to your network.
2. Open the Tuya Smart Life APP and navigate to add a new device.
3. Follow the in-app instructions to put your ZigBee gateway into pairing mode.
4. Power on the IHSENO Smart Switch. It should automatically enter pairing mode. If not, refer to the device's specific reset procedure (usually involves pressing a button for a few seconds).
5. Once detected, add the device in the APP and assign it to a room or group.

6. OPERATING INSTRUCTIONS

6.1 App Remote Control

After successful pairing, you can control the smart switch from anywhere using the Tuya Smart Life APP on your smartphone.

- Open the Tuya Smart Life APP.
- Select the IHSENO Smart Switch from your device list.
- Tap the on/off icon to toggle the connected appliance or light.



Image: A smartphone screen showing the Tuya Smart Life app interface, with a finger tapping to control a lamp, demonstrating remote control functionality.

6.2 Intelligent Timing and Scheduling

Set up schedules, countdowns, and cycling timers to automate your devices.

- In the Tuya Smart Life APP, select the smart switch.
- Tap on the 'Timer' or 'Schedule' option.
- Configure desired on/off times, countdowns, or recurring cycles.



Image: A smartphone displaying the intelligent timing features within the app, including options for setting specific on/off times, daily cycling, and countdowns for the smart switch.

6.3 Voice Control

Integrate with Amazon Alexa or Google Assistant for convenient voice commands.

- Ensure your Alexa or Google Home device is set up and linked to your Tuya Smart Life account.
- Use commands such as:
 - "Alexa, turn on the [device name]."
 - "Hey Google, turn off the [device name]."



Image: A person relaxing on a bed, using voice commands to control a lamp via an Amazon Echo and Google Home Mini device, illustrating the voice control feature.

6.4 Group Control and Scene Modes

Organize multiple smart switches into groups or create custom scene modes for unified control.

- In the Tuya Smart Life APP, go to 'Smart' or 'Scenes' section.
- Create a new scene or group and add your IHSENO Smart Switches.
- Define actions for the scene (e.g., 'Reading Mode' turns on specific lights).



Image: A floor plan illustration depicting multiple IHSENO Mini Smart Switches installed throughout a home,

demonstrating how they can be grouped and controlled via an app for whole-house automation.

7. MAINTENANCE

The IHSENO Smart Switch requires minimal maintenance.

- Keep the device clean and free from dust. Use a dry, soft cloth for cleaning.
- Do not use harsh chemicals or abrasive cleaners.
- Ensure the device is not exposed to excessive moisture or extreme temperatures.
- Regularly check for firmware updates through the Tuya Smart Life APP to ensure optimal performance and security.

8. TROUBLESHOOTING

- **Device not pairing:**
 - Ensure the ZigBee gateway is powered on and within range.
 - Confirm the smart switch is in pairing mode (refer to device reset instructions if needed).
 - Check your Wi-Fi network for stability and ensure it's 2.4GHz (if applicable for your hub).
- **No response from app/voice control:**
 - Verify the smart switch has power and is connected to the ZigBee network.
 - Check your internet connection.
 - Ensure the Tuya Smart Life APP is updated to the latest version.
 - Relink your Tuya Smart Life account with Alexa/Google Assistant if necessary.
- **Physical switch not working:**
 - Review the wiring diagrams to ensure correct connection of the physical switch to S1 and S2 terminals.
 - Ensure the physical switch itself is functional.
- **Device frequently disconnects:**
 - The ZigBee signal might be weak. Consider adding more ZigBee devices to create a stronger mesh network or repositioning your gateway.
 - Check for sources of interference (e.g., other wireless devices).

9. WARRANTY AND SUPPORT

IHSENO is committed to providing quality products and customer satisfaction.

- For any questions or issues regarding your IHSENO ZigBee Smart Switch, please contact our customer service team.
- We aim to reply to all inquiries within 24 hours.
- Please retain your purchase receipt for warranty claims. Specific warranty duration may vary by region and retailer.

