

HITHOS King Size Bed Frame

HITHOS King Size Bed Frame Instruction Manual

Model: King Size Bed Frame with Storage Headboard and Charging Station

1. IMPORTANT SAFETY INFORMATION

Please read and understand all instructions before beginning assembly. Keep this manual for future reference. Failure to follow these instructions may result in injury or damage to the product.

- Ensure all parts are present and undamaged before assembly. Do not use if any parts are missing or broken.
- Assembly should be performed by two adults.
- Place the bed frame on a soft, non-abrasive surface (e.g., carpet or rug) during assembly to prevent scratches.
- Do not overtighten screws or bolts. Tighten all connections securely but avoid stripping threads.
- Do not exceed the maximum weight capacity of 1000 lbs.
- Keep small parts away from children during assembly.
- Ensure the power cord for the charging station is routed safely to prevent tripping hazards.

2. PACKAGE CONTENTS

Verify that all components listed below are included in your package. If any parts are missing, please contact customer support.

- Headboard (Upholstered with storage shelf and charging station)
- Footboard (Upholstered)
- Side Rails (Metal)
- Wood Slats (12 pieces)
- Support Legs (6 pieces)

- Storage Drawers (3 pieces, with casters)
- Hardware Pack (Screws, bolts, washers, Allen wrench)
- Power Cord (4.9 ft for charging station)

3. SETUP AND ASSEMBLY INSTRUCTIONS

Follow these steps carefully for proper assembly. It is recommended to have two people for this process.

Step 3.1: Unpack and Identify Parts

Carefully unpack all components and lay them out on a clean, soft surface. Refer to the parts list to identify each piece.



Figure 1: Overview of the HITHOS King Size Bed Frame components.

Step 3.2: Assemble the Headboard

Attach the metal frame components to the upholstered headboard section. Ensure all bolts are finger-tightened initially, then fully secure once all connections are made.

Others



Ours



Figure 2: Detail of the headboard with integrated storage shelf and charging station.

Step 3.3: Attach Side Rails and Support Legs

Connect the side rails to the assembled headboard and footboard using the provided hardware. Install the central support legs to the bed frame for stability.

Step 3.4: Install Wood Slats

Place the wood slats across the side rails. Secure each slat to the frame using the designated fasteners. Ensure the anti-slip strips on the slats are properly positioned to prevent mattress movement.



Figure 3: Illustration of slat attachment to the bed frame.

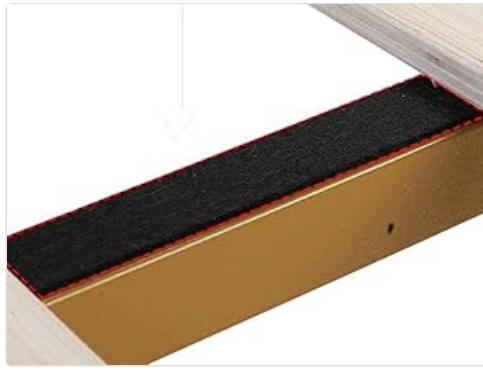


Figure 4: Detail of the anti-slip strip on a wood slat.

Step 3.5: Assemble and Insert Drawers

Assemble the three storage drawers according to the instructions provided with the hardware. Attach the casters to the bottom of each drawer. Once assembled, slide the drawers into the designated spaces under the bed frame.



Figure 5: View of the under-bed storage drawers and their caster wheels.

Step 3.6: Connect Charging Station

Plug the power cord from the headboard's charging station into a wall outlet. Ensure the cord is not pinched or damaged.

4. OPERATING INSTRUCTIONS

4.1 Using the Charging Station

The integrated charging station on the headboard provides convenient access to power. It includes 1 standard AC plug outlet and 2 USB ports.

- Plug the bed frame's power cord into a functional wall outlet.
- Use the AC outlet for devices requiring standard wall power.
- Use the USB ports (5V/2A) to charge compatible electronic devices such as smartphones and tablets.
- The top shelf provides space for placing devices while charging.



Figure 6: Detail of the charging station with AC outlet and USB ports.

4.2 Using the Storage Drawers

The three under-bed drawers offer additional storage space.

- Gently pull the drawers out from under the bed frame to access their contents.
- Push the drawers back in until they are fully under the bed for a tidy appearance.
- The drawers are not on tracks and can be moved freely for cleaning or repositioning.

5. MAINTENANCE

Regular maintenance will help preserve the appearance and longevity of your bed frame.

- **Cleaning Upholstery:** For general cleaning, wipe the faux leather upholstery with a soft, damp cloth. For spills, blot immediately with a clean, dry cloth. Avoid harsh chemicals or abrasive cleaners.
- **Cleaning Metal Frame:** Wipe the gold metal frame with a soft, dry cloth. Do not use abrasive cleaners or polishes that could damage the finish.
- **Checking Connections:** Periodically check all bolts and screws to ensure they remain tight. Retighten if necessary to maintain stability and prevent squeaking.
- **Drawer Casters:** Keep the drawer casters free of debris to ensure smooth operation.

6. TROUBLESHOOTING

If you encounter issues with your bed frame, refer to the following common problems and solutions.

- **Squeaking Noises:**
Solution: Check all bolts and screws and tighten them securely. Ensure slats are properly seated and not rubbing against the frame.
- **Charging Station Not Working:**
Solution: Verify that the bed frame's power cord is securely plugged into a functional wall outlet. Test the outlet with another device. Ensure devices are properly connected to the USB ports or AC outlet.
- **Drawers Not Sliding Smoothly:**
Solution: Check the casters for any trapped debris (e.g., hair, lint) and clean them. Ensure the floor surface is clear and even.
- **Bed Frame Feels Unstable:**
Solution: Recheck all assembly connections, especially those for the side rails and support legs. Ensure all components are correctly aligned and tightened.

7. SPECIFICATIONS

Size	King
Product Dimensions	87.4"L x 77.9"W x 51.6"H
Weight Capacity	Up to 1000 lbs
Material	Metal Frame, Faux Leather Upholstery, Wood Slats
Headboard Features	Storage Shelf, 1 AC Outlet, 2 USB Ports (5V/2A)
Under-Bed Clearance	9.6 Inches
Included Components	Headboard, Footboard, Side Rails, Slats, 3 Drawers, Hardware

KING SIZE

1200 lbs

Mattress Recommend 8-13inch

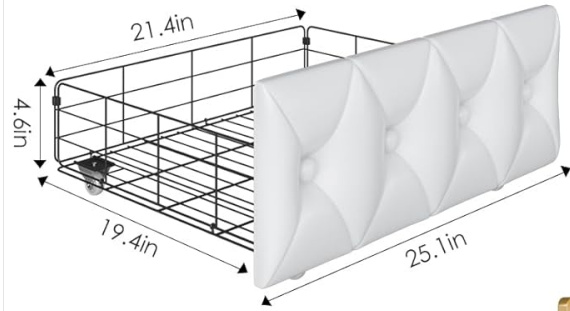


Figure 7: Detailed dimensions of the King Size Bed Frame.

8. WARRANTY AND SUPPORT

HITHOS provides a limited warranty for this product. For specific warranty details, claims, or technical support, please refer to the warranty card included with your purchase or contact HITHOS customer service directly. Please have your model number and purchase date available when contacting support. For further assistance, visit the official HITHOS website or contact their customer support channels.