



[Manuals.plus](#) /

› [Merax](#) /

› Merax 63-inch Console Table with 4 Drawers, 2-Tier Entryway Table - Model WS00547 User Manual

Merax WS00547

Merax 63-inch Console Table with 4 Drawers, 2-Tier Entryway Table - Model WS00547 User Manual

1. PRODUCT OVERVIEW

This manual provides instructions for the Merax 63-inch Console Table, Model WS00547. This versatile piece of furniture is designed to enhance your living space with both style and functionality, offering storage and display options for various rooms.



Image 1.1: The Merax 63-inch Console Table in Navy, showcasing its design and storage capabilities.

Key Features:

- **Functional Design:** A classic accent table suitable for living rooms, entryways, and foyers.
- **Durable Construction:** Features a solid wood frame and legs, ensuring stability and longevity.
- **Ample Storage:** Equipped with four functional drawers and a fixed lower shelf, providing significant storage space.
- **Retro Aesthetic:** Rectangular design with clean lines and straight legs for an elegant appearance.
- **Dimensions:** Measures 63"L x 14"W x 30"H.

2. SAFETY INFORMATION

Please read and understand all safety information before assembly and use of this product. Failure to follow these instructions may result in injury or product damage.

- **Weight Capacity:** Do not exceed the maximum weight recommendation of 220 lbs (100 kg) for the tabletop and 66 lbs (30 kg) for the bottom shelf. Each drawer has a weight capacity of 17 lbs (7.7 kg).

- **Assembly Caution:** Exercise caution during assembly to prevent injury. Ensure all fasteners are securely tightened, but do not over-tighten, as this may cause distortion or breakage.
- **Liquid Contact:** Keep liquids away from the table to prevent damage to the distressed finish. Immediately blot any spills with a damp cloth.
- **Stability:** For enhanced stability and safety, especially in homes with children or pets, consider anchoring the table to a wall. An anchoring kit may be included.
- **Placement:** Place the table on a level surface to prevent wobbling and potential tipping.

3. PACKAGE CONTENTS

Before beginning assembly, verify that all parts and hardware are present. If any items are missing or damaged, please contact customer support.

- Console Table Components (Tabletop, Legs, Shelf, Drawer parts)
- Assembly Guide
- Installation Tool (e.g., Allen wrench)
- Hardware Pack (screws, bolts, dowels, etc.)

4. ASSEMBLY INSTRUCTIONS

Assembly is required for this console table. It is recommended that one person performs the assembly. All necessary tools are included. Please follow the detailed step-by-step instructions provided in the separate Assembly Guide included with your package.

SIZE: INCH

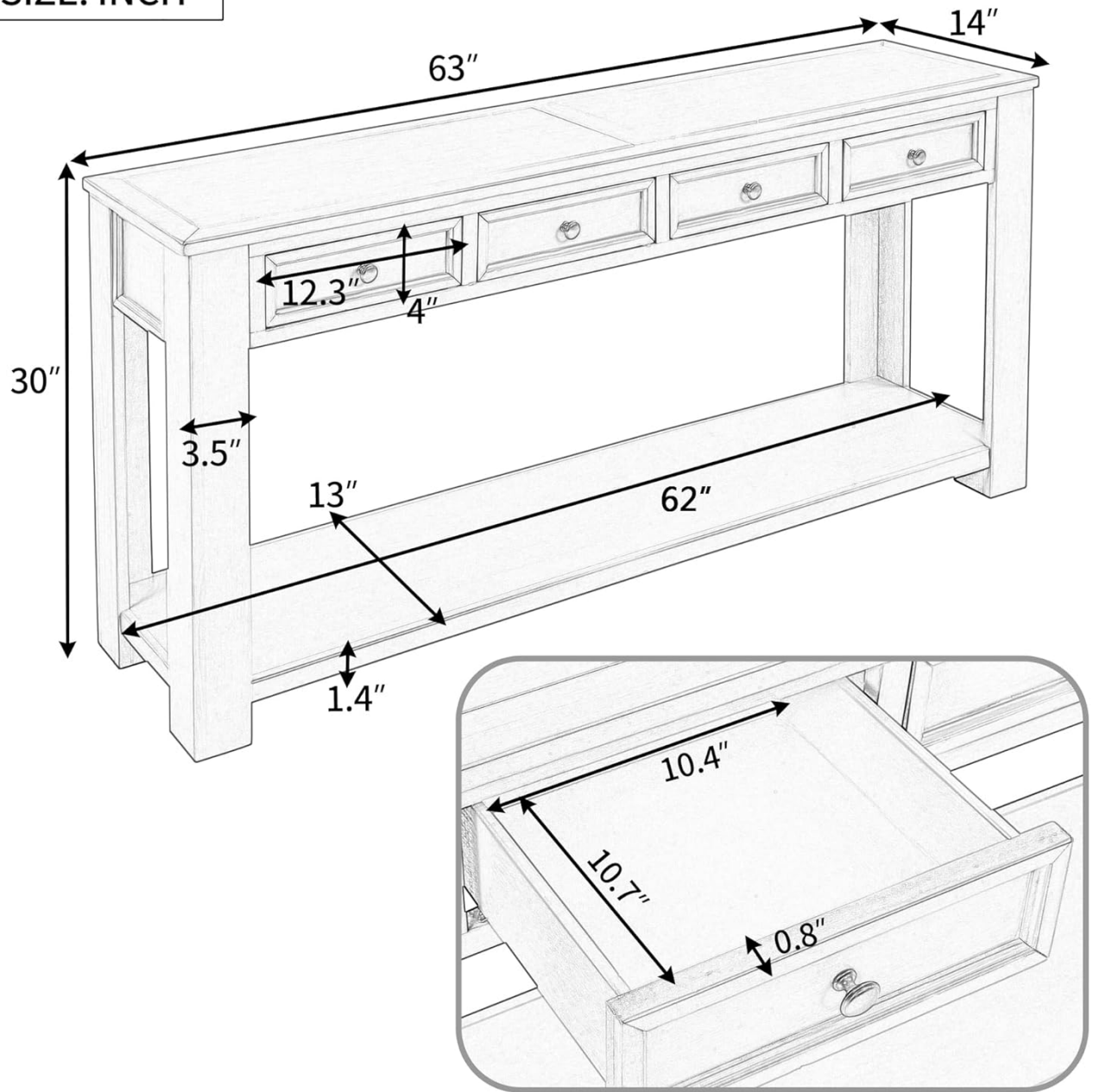


Image 4.1: Dimensional diagram of the console table, illustrating key measurements for assembly and placement.

General Assembly Steps:

1. Unpack all components and lay them out on a soft, clean surface to prevent scratches.
2. Identify all parts and hardware by comparing them to the parts list in the Assembly Guide.
3. Attach the legs to the tabletop using the specified hardware.
4. Install the lower shelf between the legs.
5. Assemble the drawers according to the guide and insert them into their respective slots.
6. Ensure all connections are tight and the table is stable.

Refer to the included Assembly Guide for detailed diagrams and specific hardware usage.

5. USAGE AND OPERATION

The Merax Console Table is designed for indoor use in various settings.

Recommended Uses:

- Entryway table for keys, mail, and decorative items.
- Sofa table behind a couch for lamps, books, or beverages.
- Console table in a living room or office for display and storage.
- Hallway accent table.

Always adhere to the specified weight capacities for the tabletop, shelf, and drawers to ensure product longevity and safety.

6. CARE AND MAINTENANCE

Proper care will help maintain the appearance and extend the life of your console table.

Finish Care:

- Liquids should be immediately blotted with a damp cloth.
- Do not use surface cleaners that could remove or damage the distressed finish. Use only mild, non-abrasive cleaners if necessary, and test in an inconspicuous area first.
- Avoid placing hot items directly on the surface; use coasters or protective pads.

Hardware Maintenance:

- Hardware may loosen over time due to regular use. Periodically check to ensure all connections are tight.
- Do not over-tighten fasteners, as this may cause distortion or breakage of the wood or hardware.

General Cleaning:

- Wipe the table with a soft, damp cloth to remove dust and dirt.
- Avoid using harsh chemicals or abrasive cleaning materials.

7. TROUBLESHOOTING

This section addresses common issues you might encounter with your console table.

Table is Wobbly:

- Ensure the table is placed on a flat, level surface.
- Check all leg and frame connections. Tighten any loose fasteners.

Drawers Stick or Don't Close Properly:

- Verify that the drawer slides are correctly aligned and free of obstructions.
- Ensure the drawer components were assembled correctly according to the guide.
- Check for any foreign objects inside the drawer or along the slides.

Minor Scratches or Dents:

- For minor cosmetic imperfections, touch-up pens or furniture repair kits matching the distressed finish may be used.

- Contact customer support for advice on specific repair methods if needed.

8. PRODUCT SPECIFICATIONS

Feature	Detail
Brand	Merax
Model Number	WS00547
Product Dimensions (D x W x H)	14" x 63" x 30"
Item Weight	55.12 Pounds (25 kg)
Tabletop Weight Capacity	220 Pounds (100 kg)
Bottom Shelf Weight Capacity	66 Pounds (30 kg)
Drawer Weight Capacity (each)	17 Pounds (7.7 kg)
Frame Material	Solid Wood + MDF
Color	Navy
Finish Type	Distressed
Number of Drawers	4
Number of Shelves	1
Assembly Required	Yes (approx. 20 min, 1 person)
Tools Included	Yes

9. WARRANTY AND SUPPORT

For information regarding product warranty, returns, or technical support, please refer to the documentation included with your purchase or contact Merax customer service directly. Keep your purchase receipt for warranty claims.

Contact Information: Please visit the official Merax website or refer to your purchase platform for the most current customer support contact details.