

[Manuals.plus](#) /

> [Ravinte](#) /

> Ravinte 10 Pack Solid 7-1/2 Inch Kitchen Square Cabinet Handles Oil-Rubbed Bronze Cabinet Pulls Drawer Pulls Kitchen Cabinet Hardware Kitchen Handles 10 7-1/2" Hole Center Instruction Manual

Ravinte 100AFX192ORB10

Ravinte Cabinet Handles Instruction Manual

Model: 100AFX192ORB10

PRODUCT OVERVIEW

The Ravinte 7-1/2 Inch Kitchen Square Cabinet Handles are designed to enhance the aesthetic and functionality of your kitchen or bathroom cabinets and furniture. Crafted from durable Zinc Alloy with an Oil-Rubbed Bronze finish, these pulls offer a modern and elegant touch. They are built to withstand years of use, featuring scratch resistance, anti-fingerprint properties, and an oleophobic coating for easy maintenance.



Figure 1: Ravinte 7-1/2 Inch Square Cabinet Handles.

WHAT'S INCLUDED

Each package of Ravinte cabinet handles includes the following components:

- 10 x Cabinet Handles (7-1/2" Hole Center)
- 20 x 1" Mounting Screws
- 20 x 1-3/4" Mounting Screws

WHAT'S IN THE BOX

(4 Screws Per Handle)



10 x Cabinet Handle
20 x 1" Mounting Screws
20 x 1-3/4" Mounting Screws

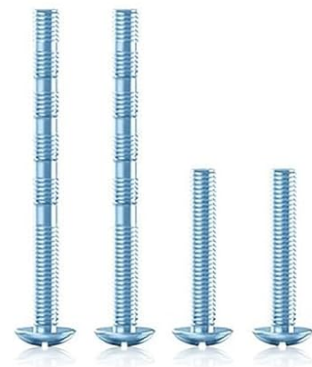


Figure 2: Package contents for Ravinte cabinet handles.

SETUP AND INSTALLATION

Proper installation ensures the longevity and optimal performance of your new cabinet handles. Please follow these steps carefully:

1. **Measure Existing Handles (Replacement):** If you are replacing existing handles, measure the center-to-center distance between the two mounting holes on your current handle. Ensure it is 7-1/2 inches (192mm).
2. **Mark Drilling Points (New Installation):** For new installations, accurately mark two points on your cabinet or drawer front with a center-to-center spacing of 7-1/2 inches (192mm). Use a template or ruler for precision.
3. **Drill Holes:** Carefully drill holes at the marked points. Ensure the drill bit size is appropriate for the included screws to allow for a snug fit without stripping.
4. **Select Screws:** Choose the appropriate screw length (1" or 1-3/4") based on the thickness of your cabinet or drawer front. The screws are designed to be adjustable; they can be broken into different lengths if needed to fit various cabinet thicknesses (from 1/2" to 1-9/16").
5. **Attach Handles:** Align the handle with the drilled holes and insert the screws from the inside of the cabinet/drawer. Tighten the screws securely until the handle is firm. Do not overtighten.

Dimension:



Figure 3: Handle Dimensions ($7\frac{1}{2}$ " Hole Center).

Can be used for thickness of 1/2" - 1-9/16"

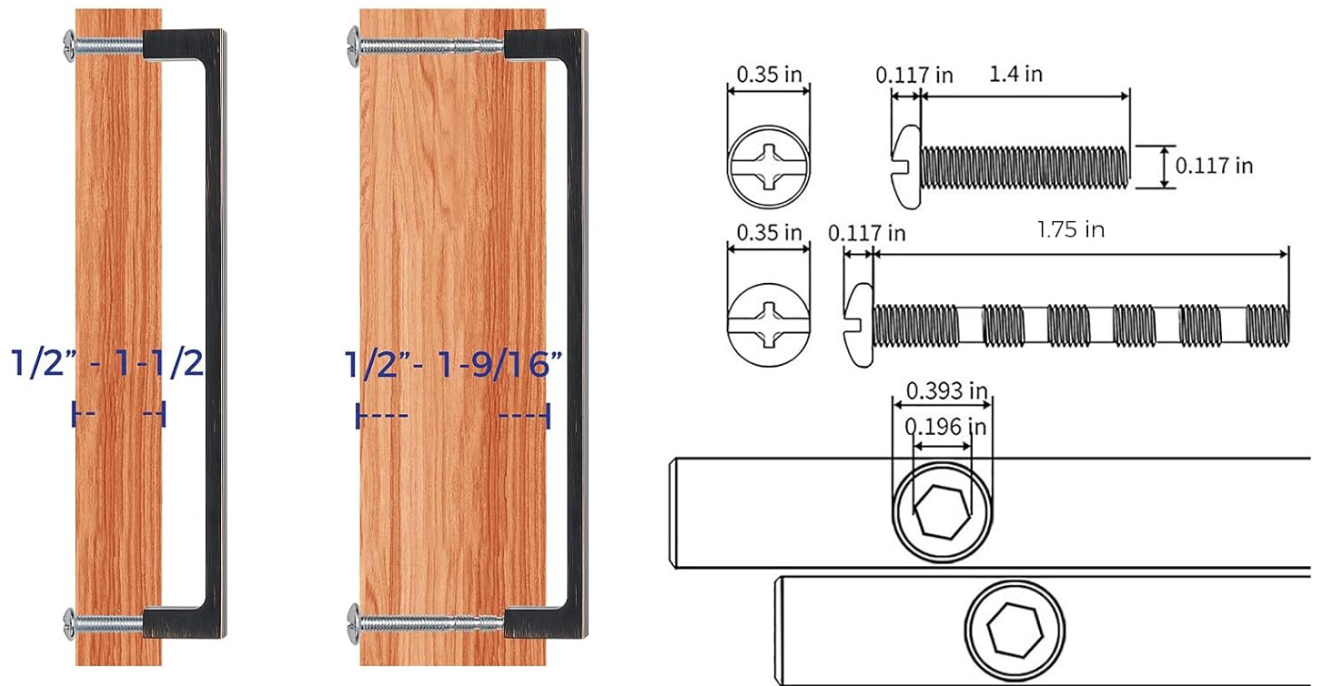


Figure 4: Installation guide and screw adjustment.

OPERATING INSTRUCTIONS

These cabinet handles are designed for straightforward operation. Simply grasp the handle and pull to open your cabinet doors or drawers, and push to close them. The sturdy Zinc Alloy construction ensures a reliable and comfortable grip for daily use.



Figure 5: Handles installed on kitchen cabinets.

MAINTENANCE

To maintain the appearance and functionality of your Ravinte cabinet handles, follow these simple guidelines:

- **Cleaning:** Wipe the handles regularly with a soft, damp cloth. Avoid abrasive cleaners, harsh chemicals, or scouring pads, as these can damage the Oil-Rubbed Bronze finish and protective coatings.
- **Finish Protection:** The handles feature an anti-fingerprint and oleophobic coating, which helps resist smudges and makes cleaning easier.
- **Durability:** Made from Zinc Alloy, these handles are designed for long-term durability and resistance to wear and tear.



Figure 6: Key features for durability and maintenance.

TROUBLESHOOTING

If you encounter any issues with your Ravinte cabinet handles, consider the following common solutions:

- **Loose Handle:** If a handle feels loose, gently tighten the mounting screws from the inside of the cabinet or drawer. Do not overtighten, as this can strip the screw threads or damage the cabinet material.
- **Difficulty Installing:** Double-check your measurements for the hole spacing (7-1/2 inches / 192mm). Ensure you

are using the correct screw length for your cabinet thickness. The included screws can be adjusted by breaking them at the appropriate length.

- **Scratches or Wear:** While designed to be scratch-resistant, extreme force or abrasive materials can cause damage. Refer to the Maintenance section for proper cleaning and care.

SPECIFICATIONS

Feature	Detail
Brand	Ravinte
Model Number	100XFX192ORB10
Material	Zinc Alloy
Color	Oil Rubbed Bronze
Product Dimensions	3.75"L x 7.88"W
Center To Center Spacing	7.5 Inches (192mm)
Item Package Quantity	10
Item Weight	2.77 pounds
Special Features	Lightweight, Scratch Resistance, Anti-Fingerprint, Oleophobic Coating

WARRANTY AND SUPPORT

Ravinte offers a **365-Day Evaluation** period for these cabinet handles. We are confident in the quality and durability of our product. If the handles do not meet your expectations within a full year of use, please contact Ravinte customer support for assistance.

For further support or inquiries, please visit the official Ravinte store on Amazon or contact their customer service directly. Official Store Link: [Ravinte Amazon Store](#)