



[Manuals.plus](#) /

> [VEVOR](#) /

> VEVOR Pan and Pot Rack Instruction Manual

VEVOR CH-HGGJ02

VEVOR Pan and Pot Rack Instruction Manual

Model: CH-HGGJ02

1. INTRODUCTION

This manual provides detailed instructions for the assembly, operation, and maintenance of your VEVOR Pan and Pot Rack. Designed to maximize kitchen storage space, this expandable pull-out organizer is ideal for storing various cookware items such as frying pans, baking pans, serving trays, cutting boards, and lids. Crafted from durable carbon steel, it features a smooth-gliding pull-out mechanism for easy access to your kitchen essentials. Please read this manual thoroughly before installation and use to ensure proper function and longevity of the product.



Figure 1: VEVOR Pan and Pot Rack in use, demonstrating its organizational capabilities for various kitchen items.

2. SAFETY INFORMATION

Please observe the following safety precautions to prevent injury or damage to the product:

- Ensure all components are securely fastened during assembly. Loose parts can cause instability.
- Do not exceed the specified static load capacity of 121 lbs (55 kg) or dynamic load capacity of 44 lbs (20 kg). Overloading can lead to structural failure.
- Install the rack in a stable cabinet on a flat, level surface to prevent tipping.
- Keep fingers clear of moving parts, especially the slide rails, during operation to avoid pinching.

- Regularly inspect the rack for any signs of wear, damage, or loose connections. Discontinue use if damage is found and contact support.
- Keep out of reach of small children to prevent accidents.

3. PACKAGE CONTENTS

Verify that all components listed below are present in your package before beginning assembly. If any parts are missing or damaged, please contact VEVOR customer support.

Item	Quantity	Description
Cookware Organizer	1	Main rack assembly
M6 Screw Nuts	8	For securing components
M4*6 Round Head Screws	4	For assembly
4*12 Tapping Screws	4	For mounting to cabinet
Full-Extension 3-Section Slide Rail	1	Provides smooth pull-out function
User Manual	1	This instruction guide

4. SETUP AND INSTALLATION

The VEVOR Pan and Pot Rack is designed for easy installation. Follow these steps carefully:

1. **Measure Your Cabinet:** Ensure your cabinet meets the required dimensions for proper fit. The rack (without slide rails) measures 10.4"W x 21"D x 8.8"H. It perfectly fits cabinets that measure at least 12.2"W x 22"D x 11.8"H.

PRODUCT DIMENSION

Static Load Capacity: **121 lbs / 55kg**

Dynamic Load Capacity: **44 lbs / 20kg**

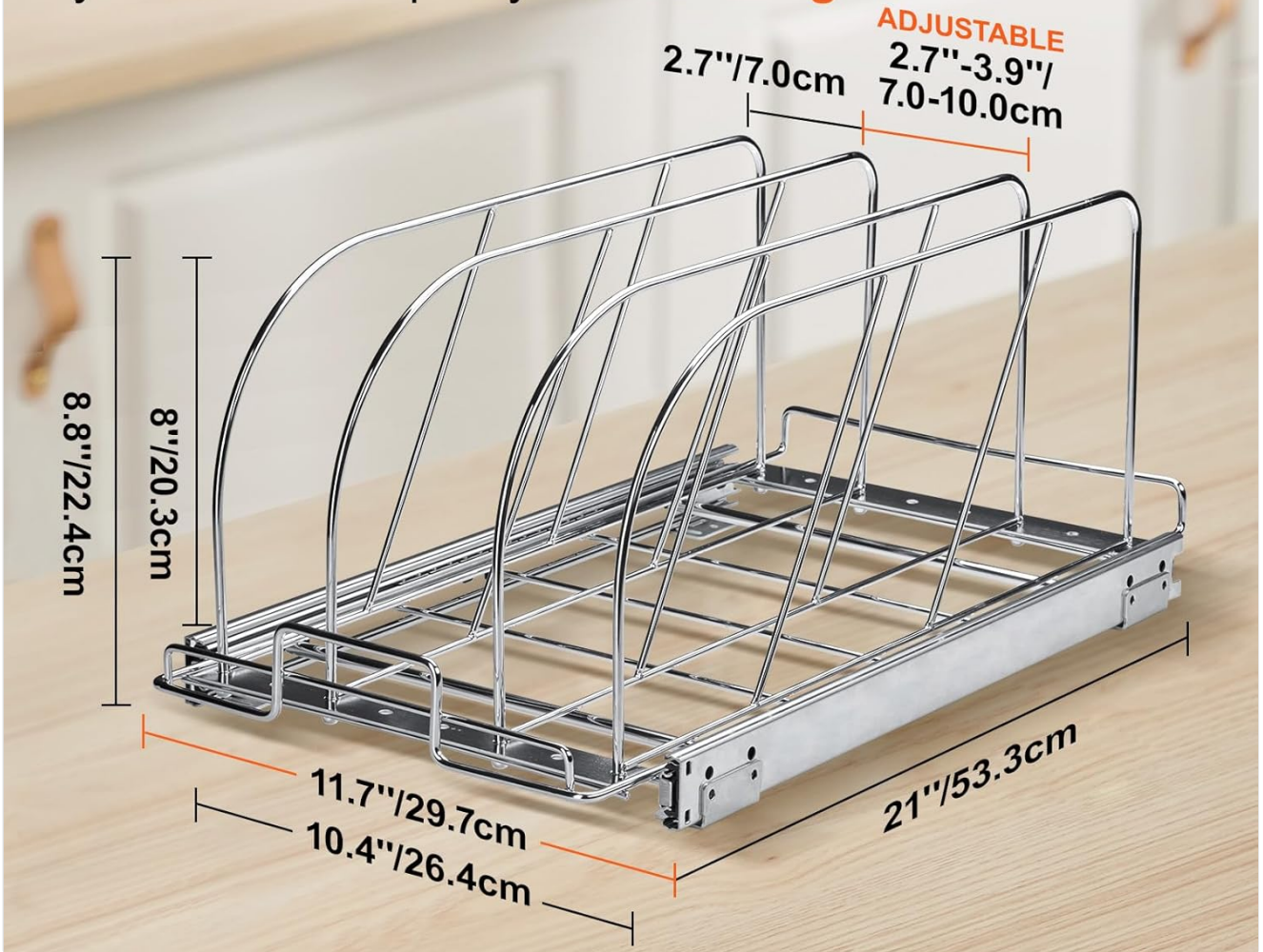


Figure 2: Product Dimensions.



Figure 3: Recommended Cabinet Dimensions.

2. **Assemble the Base:** Attach the slide rails to the main rack assembly using the provided M6 Screw Nuts and M4*6 Round Head Screws. Ensure the rails are oriented correctly for full extension.



Figure 4: Assembled Rack with Slide Rails.

3. **Position in Cabinet:** Place the assembled rack inside your cabinet at the desired location. Ensure it is centered and aligned with the cabinet opening.
4. **Mark Drilling Points:** Extend the slide rails fully and use a pencil to mark the screw holes on the cabinet floor. It is recommended to screw in one side first, then slide the drawer in to mark the holes for the other side, ensuring smooth operation.

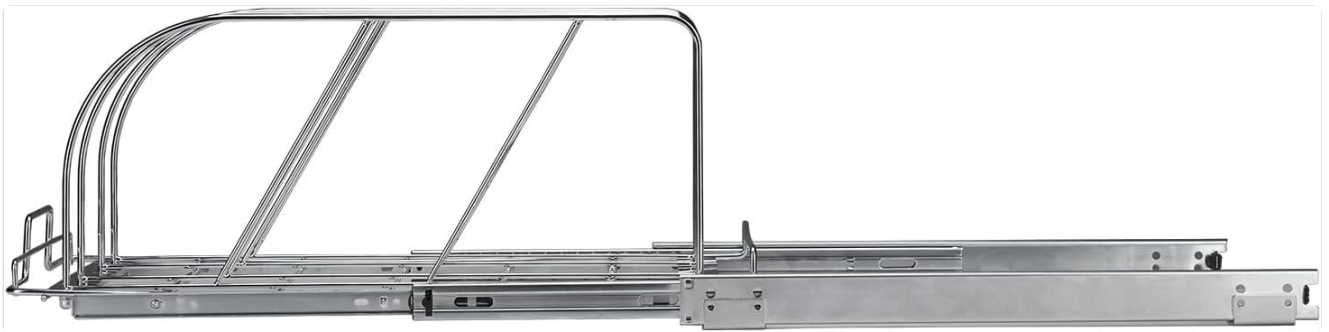


Figure 5: Full-Extension Pull-Out System.

5. **Secure to Cabinet:** Use the 4*12 Tapping Screws to firmly attach the slide rails to the cabinet floor. Ensure the rack is stable and does not wobble.
6. **Install Dividers:** The rack comes with adjustable metal dividers. Insert these into the slots on the base of the rack. You can customize their positions based on the size of your cookware.

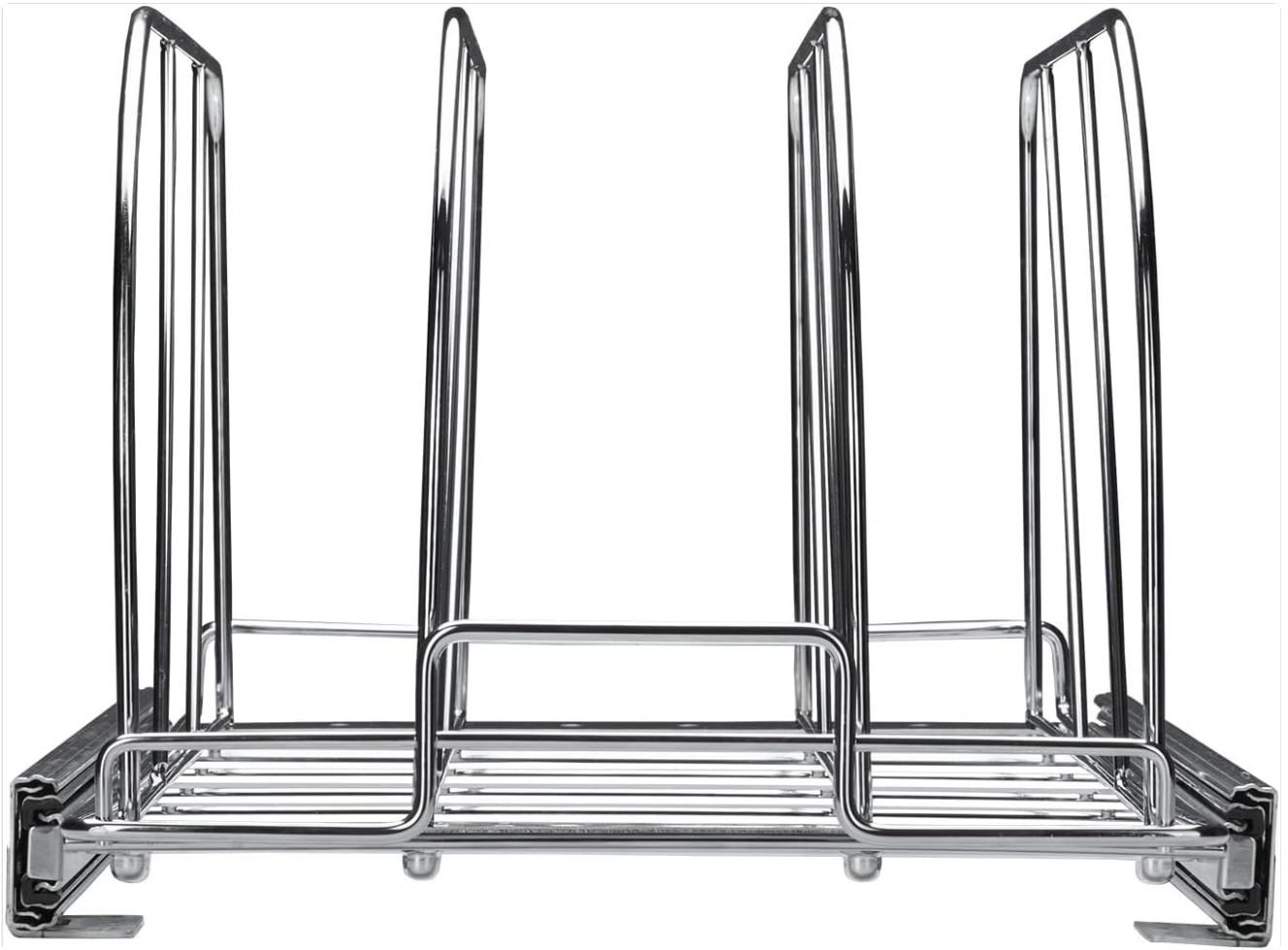


Figure 6: Adjustable Dividers.

5. OPERATING INSTRUCTIONS

Using your VEVOR Pan and Pot Rack is straightforward:

- **Loading Cookware:** Place your pans, pots, lids, cutting boards, and baking sheets vertically between the adjustable dividers. Arrange them to best utilize the space and ensure easy access.

SPACIOUS STORAGE SPACE

Ideal for holding pots, pans, lids and more



Figure 7: Spacious Storage Space.

- **Pulling Out the Rack:** Gently pull the front of the rack to extend it from the cabinet. The 3-section ball-bearing slide system ensures smooth and quiet operation, allowing full access to items at the back.
- **Pushing In the Rack:** Push the rack back into the cabinet until it is fully retracted. Ensure no items are obstructing its path.
- **Adjusting Dividers:** To reconfigure the storage compartments, simply lift and reposition the metal dividers in the desired slots. This allows for flexible organization as your storage needs change.

6. MAINTENANCE

To ensure the longevity and optimal performance of your VEVOR Pan and Pot Rack, follow these maintenance guidelines:

- **Cleaning:** The rack is made of premium carbon steel with a rust-proof, corrosion-resistant, and scratch-resistant finish. Wipe down the rack and dividers regularly with a soft, damp cloth and mild detergent. Avoid abrasive cleaners or scouring pads that could damage the finish. Dry thoroughly after cleaning.

PREMIUM CARBON STEEL

Rust-proof and for easy cleaning



Figure 8: Premium Carbon Steel Construction.

- **Slide Rail Care:** Periodically check the slide rails for any debris or dust. Clean them with a dry cloth. If the sliding action becomes less smooth, a small amount of silicone-based lubricant can be applied to the rails, but avoid oil-based lubricants which can attract dust.
- **Inspection:** Routinely inspect all screws and connections to ensure they remain tight. Tighten any loose fasteners to maintain stability.

7. TROUBLESHOOTING

If you encounter any issues with your VEVOR Pan and Pot Rack, refer to the following common problems and solutions:

Problem	Possible Cause	Solution
---------	----------------	----------

Problem	Possible Cause	Solution
Rack does not slide smoothly or gets stuck.	<ul style="list-style-type: none"> ◦ Misalignment during installation. ◦ Debris in slide rails. ◦ Overloading the rack. ◦ Loose mounting screws. 	<ul style="list-style-type: none"> ◦ Re-check cabinet measurements and re-align the slide rails. Ensure they are parallel. ◦ Clean the slide rails thoroughly to remove any obstructions. ◦ Reduce the weight of items on the rack to stay within dynamic load capacity. ◦ Tighten all mounting screws securing the rack to the cabinet.
Rack wobbles or feels unstable.	<ul style="list-style-type: none"> ◦ Loose mounting screws. ◦ Uneven cabinet surface. 	<ul style="list-style-type: none"> ◦ Tighten all mounting screws. ◦ Ensure the cabinet surface is flat. Use shims if necessary to level the rack.
Items fall out the back when pulling the drawer.	<ul style="list-style-type: none"> ◦ Rapid pulling motion. ◦ Dividers not properly positioned. 	<ul style="list-style-type: none"> ◦ Pull the rack out gently and smoothly. ◦ Adjust dividers to snugly hold items, preventing them from sliding.

If the problem persists after attempting these solutions, please contact VEVOR customer support for further assistance.

8. SPECIFICATIONS

Detailed technical specifications for the VEVOR Pan and Pot Rack:

Feature	Detail
Item Model Number	CH-HGGJ02
Material	Carbon Steel
Color	Chrome Plated (Single Tier)
Product Dimensions (Overall)	11.7"W x 21"D x 8.8"H (29.7cm W x 53.3cm D x 22.4cm H)
Product Dimensions (Without Slide Rails)	10.4"W x 21"D x 8.8"H (26.4cm W x 53.3cm D x 22.4cm H)
Recommended Cabinet Dimensions	12.2"W x 22"D x 11.8"H (310mm W x 560mm D x 300mm H)
Static Load Capacity	121 lbs / 55 kg
Dynamic Load Capacity	44 lbs / 20 kg
Net Weight	6 lbs / 2.7 kg
Special Feature	Expandable, Adjustable Dividers, Full-Extension Pull-Out
Finish Type	Powder Coated
Mounting Type	Under Cabinet
UPC	840349936024

9. WARRANTY AND SUPPORT

For warranty information, technical support, or any inquiries regarding your VEVOR Pan and Pot Rack, please contact VEVOR customer service directly. Refer to the contact information provided on the product packaging or the official VEVOR website.

VEVOR Official Website: www.vevor.com

© 2025 VEVOR. All rights reserved.