

## HOMLYLINK 26x20 3 Hole

# HOMLYLINK Pedestal Sink Instruction Manual

Model: 26x20 3 Hole

## 1. INTRODUCTION

Thank you for choosing the HOMLYLINK Pedestal Sink. This manual provides essential information for the safe installation, operation, and maintenance of your new sink. Please read these instructions thoroughly before beginning installation and retain them for future reference.

## 2. SAFETY INFORMATION

- **Heavy Item:** The vitreous china construction makes this pedestal sink very heavy. Exercise extreme caution when moving or installing to prevent injury. It is recommended to have at least two people for handling.
- **Professional Installation:** If you are unfamiliar with plumbing or fixture installation, it is advisable to consult a qualified professional.
- **Wall Mounting:** This pedestal sink requires secure mounting to the wall for stability. Do not rely solely on the pedestal for support. Ensure appropriate wall anchors are used for your wall type.
- **Damage Inspection:** Inspect all components for damage before installation. Do not install damaged parts.

## 3. PACKAGE CONTENTS

Verify that all components are present in the package:

- Sink Bowl
- Pedestal
- User Manual
- Hardware needed for installation (specific items may vary)



# SAFETY PACKAGE

## Packaging Upgrade

- Thicker Protective Layer
- Comprehensive Protection
- Tighter Buffer Layer

## Passed Tests

- Fall
- Collision
- Extrusion

## ALL ITEMS



**BOWL**



**PEDESTAL**



**PAPER USER MANUAL**



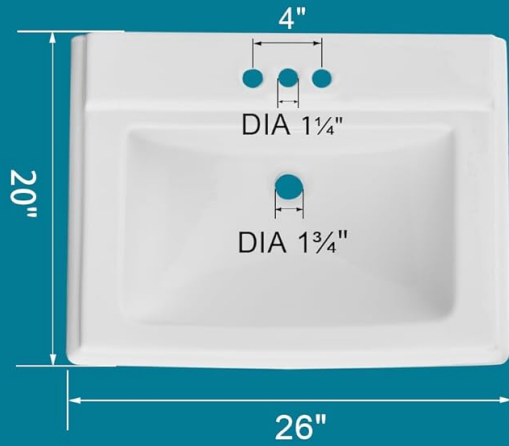
Replacement and return policy within 30 days.

Figure 3.1: Included Components - Sink Bowl, Pedestal, and User Manual.

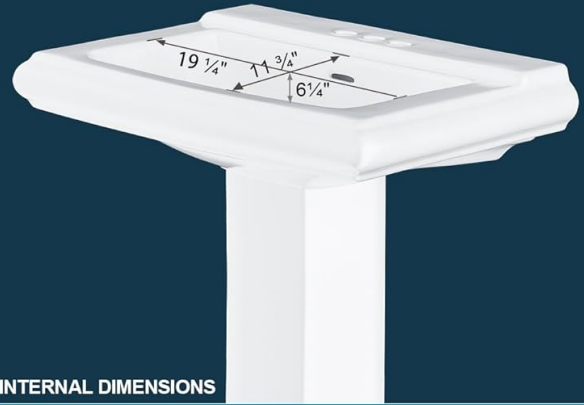
## 4. SPECIFICATIONS

Feature	Specification
Brand	HOMLYLINK
Color	White
Material	Porcelain (Vitreous China)
Product Dimensions (D x W x H)	20"D x 26"W x 34"H
Item Weight	70 Pounds
Installation Type	Freestanding (requires wall mounting)
Drain Type	Pop-Up (drain not included)
Faucet Hole Count	3
Overflow Hole	1
Drain Opening Diameter	Standard 1.75"
Faucet Hole Spacing	4" centerset (for 3-hole models)

# DIMENSIONS



TOP VIEW



INTERNAL DIMENSIONS



BACK VIEW

SIDE VIEW

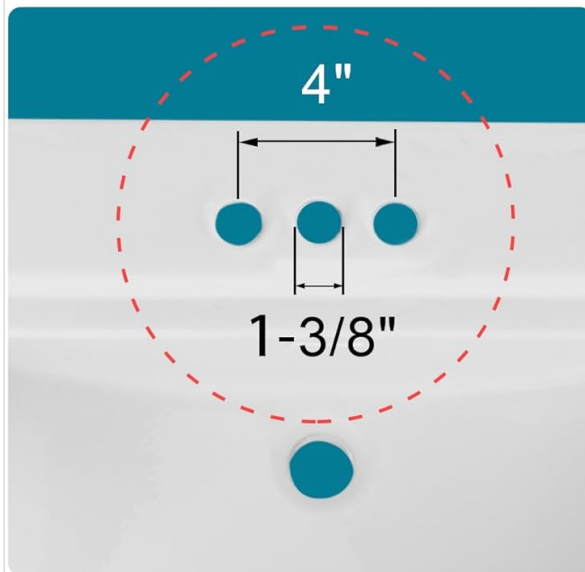


Figure 4.1: Detailed Product Dimensions.



## OVERFLOW DESIGN

The overflow hole can prevent overflow due to high water surface.



## ADAPTED 4 INCH CENTERSET FAUCETS

Figure 4.2: Overflow and Faucet Hole Details.

## 5. SETUP AND INSTALLATION

This section outlines the general steps for installing your pedestal sink. Refer to the included hardware instructions for specific details.

### 5.1 Pre-Installation Checks

- Ensure the floor is level and the wall is structurally sound to support the sink's weight.
- Confirm that water supply lines and drain rough-ins are correctly positioned according to local plumbing codes.
- Gather all necessary tools (e.g., wrench, drill, level, sealant).

### 5.2 Installation Steps

1. **Position the Pedestal:** Place the pedestal in its desired location, ensuring it is centered and level.
2. **Place the Sink Bowl:** Carefully lift the sink bowl and set it onto the pedestal. Align the drain opening with the floor drain.
3. **Mark Wall Mounting Points:** With the sink bowl resting on the pedestal, mark the locations on the wall where the sink will be secured. The sink must be bolted to the wall for stability.
4. **Drill Holes and Install Anchors:** Remove the sink bowl and pedestal. Drill appropriate holes at the

marked locations and install suitable wall anchors (e.g., expansion bolts for tile/masonry, toggle bolts for drywall).

5. **Install Faucet and Drain:** Install your chosen faucet (designed for 3-hole, 4-inch centerset configuration) and the pop-up drain assembly (not included) into the sink bowl according to their respective manufacturer's instructions. The sink features a standard 1.75-inch drain opening.
6. **Connect Water Supply:** Connect the hot and cold water supply lines to the faucet.
7. **Secure Sink to Wall:** Place the sink bowl back onto the pedestal and align it with the wall anchors. Securely fasten the sink to the wall using the provided hardware. Do not overtighten.
8. **Connect Drain:** Connect the drain assembly to your P-trap and wall drain.
9. **Seal Edges:** Apply a bead of silicone sealant around the back edge of the sink where it meets the wall to prevent water penetration.
10. **Test for Leaks:** Turn on the water supply and check all connections for leaks.



Figure 5.1: Installed Pedestal Sink.

## 6. OPERATION

The HOMLYLINK Pedestal Sink is designed for standard bathroom use. Operate the faucet according to its manufacturer's instructions to control water flow and temperature. The sink's large basin and overflow hole are designed to minimize splashing and prevent accidental overflows.



## LARGE-CAPACITY SINK

This pedestal sink is designed to be splash-proof and offers large water storage capacity.

Figure 6.1: Large Capacity Sink Basin.



## Intimate Security

For the safety of the family, the angles off the basin are rounded and polished to avoiding and injury to the family.



## Excellent Drainage

The large diameter of the drain improves drainage speed and reduces the risk of clogged down spouts.

Figure 6.2: Excellent Drainage and Safety Features.

## 7. MAINTENANCE

Proper care will ensure the longevity and appearance of your HOMLYLINK Pedestal Sink.

### 7.1 Cleaning

- The smooth, non-porous vitreous china surface is easy to clean.
- Wipe with a damp cloth and mild soap regularly.
- For stubborn stains, use a non-abrasive cleaner specifically designed for ceramic or porcelain.
- Rinse thoroughly with clean water and wipe dry with a soft cloth to prevent water spots.
- Avoid using abrasive cleaners, scouring pads, or harsh chemicals (e.g., strong acids or alkalis) as these can damage the glaze.

### 7.2 General Care

- Avoid dropping heavy objects into the sink to prevent chipping or cracking.
- Periodically check all plumbing connections for leaks and tighten if necessary.



## MAIN FEATURES

- *Simple Installation*
- *Easy to Clean*
- *Smooth Drainage*
- *Spacious Interior*
- *Glossy White*
- *Fadeless*
- *Overflow Design*
- *Splash-Proof Design*
- *Impact Resistance*

## ADAPTING SIZE

- *DIA 1 $\frac{3}{4}$ " Drain Hole*
- *4 Inch Centerset Faucet*

Figure 7.1: Key Features for Easy Maintenance.

## HIGH-TEMPERATURE FIRING

- **Low Water Absorption**
- **Scratch Resistance**
- **Stain Resistance**
- **Glossy White**
- **Fadless**
- **Sturdy**



## 8. TROUBLESHOOTING

This section addresses common issues you might encounter with your pedestal sink.

Problem	Possible Cause	Solution
<b>Water Leakage</b>	Loose connections, damaged seals, improper sealant application.	Check and tighten all water supply and drain connections. Inspect and replace any damaged washers or seals. Reapply silicone sealant if necessary.
<b>Slow Drainage</b>	Clog in the drain or P-trap.	Remove and clean the pop-up drain stopper. Clear any obstructions in the P-trap. Avoid pouring grease or harsh chemicals down the drain.
<b>Sink Wobbles</b>	Improper wall mounting, uneven floor.	Ensure the sink is securely bolted to the wall. Check if the pedestal is level; use shims if the floor is uneven.

## 9. WARRANTY AND SUPPORT

HOMLYLINK provides a **3-year limited warranty** for this pedestal sink. This warranty covers manufacturing defects under normal use and service. For any questions, concerns, or warranty claims, please contact HOMLYLINK customer support directly. Our team is committed to providing a professional solution within 1 working day.

**Contact Information:** Refer to the contact details provided on your purchase receipt or the HOMLYLINK official website.