

## Manuals+

[Q & A](#) | [Deep Search](#) | [Upload](#)

manuals.plus /

- › [SCYAN](#) /
- › [SCYAN X4 Smart Keyless Entry Door Lock Instruction Manual](#)

## SCYAN X4SN

# SCYAN X4 Smart Keyless Entry Door Lock

## INSTRUCTION MANUAL

[Setup](#)

[Operation](#)

[Maintenance](#)

[Troubleshooting](#)

[Specifications](#)

[Warranty & Support](#)

### Introduction

---

The SCYAN X4 Smart Keyless Entry Door Lock offers advanced security and convenient access for residential and rental properties. This manual provides detailed instructions for installation, operation, and maintenance to ensure optimal performance and user satisfaction.



Image: SCYAN X4 Smart Door Lock, showcasing the keypad and handle design.

## Setup and Installation

---

Installation of the SCYAN X4 lock is designed to be straightforward, requiring only a Phillips screwdriver. No complex wiring or professional locksmith services are typically needed.

### 1. Prepare the Door

- Ensure your door thickness is between 1 1/8 inches and 2 inches.
- Verify the adjustable backset is set to either 2 3/8 inches or 2 3/4 inches, matching your door's existing bore hole.

### 2. Install the Latch and Strike Plate

Follow the standard procedure for installing a door latch and strike plate into your door frame. Ensure the latch bolt operates smoothly.

### 3. Install the Exterior Assembly

Carefully feed the cable from the exterior keypad assembly through the door's cross-bore hole and under the latch. Position the exterior assembly flush against the door.

#### 4. Install the Interior Mounting Plate

Secure the interior mounting plate to the door using the provided screws, ensuring it aligns correctly with the exterior assembly.

#### 5. Connect Cables and Install Interior Assembly

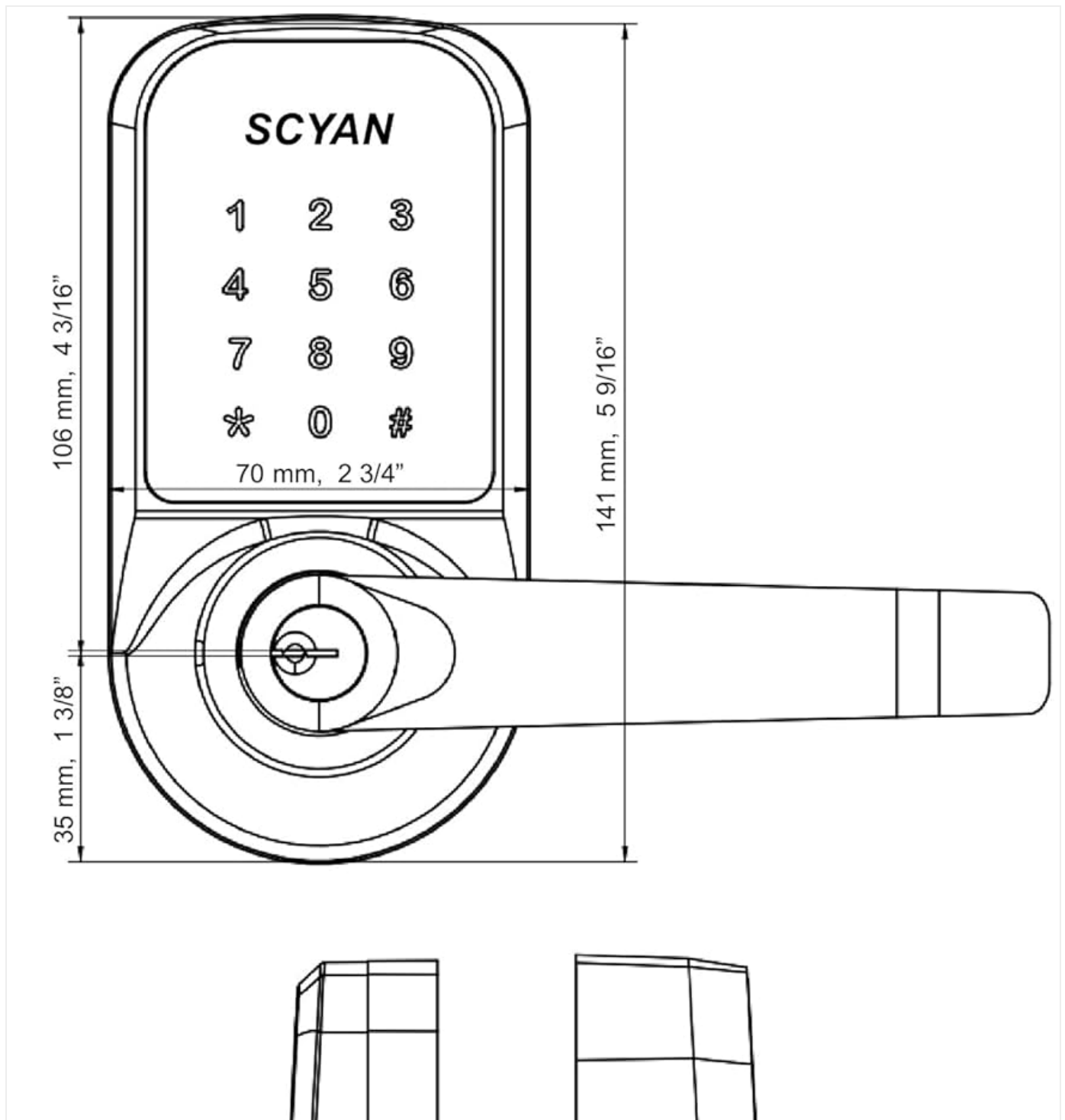
Connect the cable from the exterior assembly to the interior assembly. Ensure the cylindrical protrusions are horizontally aligned before attaching the interior assembly. Secure the interior assembly with screws.

Your browser does not support the video tag.

Video: Detailed installation guide for the SCYAN X4 touchscreen keypad door lock, including cable connections and alignment.

#### 6. Install Batteries

Remove the battery cover on the interior assembly and insert 4 AA batteries (not included), ensuring correct polarity. Replace the cover.



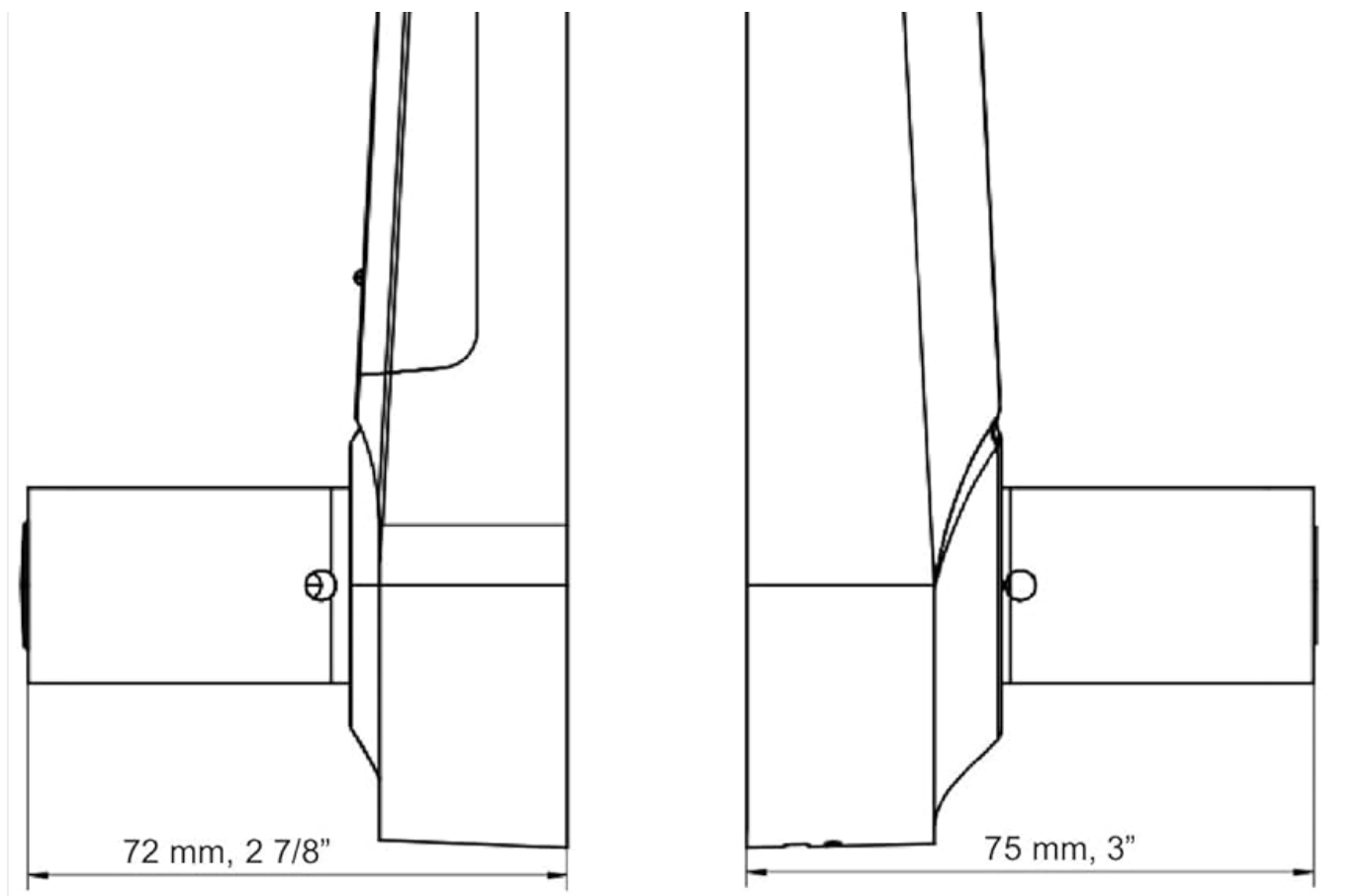


Image: Technical drawing showing the dimensions of the SCYAN X4 Smart Door Lock for installation reference.

## Operating the Lock

---

### Multiple Ways to Unlock

- **Passcode:** Activate the touchscreen by touching any key, then enter your 4-9 digit passcode followed by '#'. The lock will unlock.
- **Key Fob:** Present the key fob to the card reader sensor on the smart lock. The lock will unlock.
- **Smartphone App (TTLock):** Download the TTLock app. Pair your lock via Bluetooth. From the app, tap the unlock icon to unlock the door.
- **Physical Key:** Use the provided "Schlage C key" as an override in case of battery failure or other issues.

### App Management Features

- **Passcode Generation:** Create various types of passcodes: Limited Time, Permanent, One-time, or Customized.
- **User Management:** Easily share access with guests or contractors.
- **Audit Trail:** Store up to 2000 audit trail logs to track lock activity.
- **Mute Function:** Option to turn off voice prompts via the app.
- **Battery Level:** Monitor the lock's battery level directly from the app.

### Auto-Locking Function

Enable auto-lock through the app and set a delay time. The lock will automatically re-lock itself after the specified delay, providing added security.

### Privacy Mode

To enable Privacy Mode, locate the small switch on the interior side of the lock and slide it to the 'locked' position. When Privacy Mode is active, the lock cannot be unlocked from the exterior using passcodes or key fobs, enhancing privacy and

security from within. To disable, slide the switch back to the 'unlocked' position.



Image: Overview of SCYAN X4 Smart Door Lock features, including app control, auto-locking, and privacy mode.

## Maintenance

---

- **Battery Replacement:** The lock requires 4 AA batteries. Replace them promptly when the app indicates a low battery level or if the lock's voice prompts warn of low power.
- **Power Run-Out:** In case of complete power loss, your enrolled user codes will not be lost due to the memory function. You can use the physical key or connect a power bank via the micro USB port for temporary power.
- **Cleaning:** Use a soft, dry cloth to clean the touchscreen and lock body. Avoid abrasive cleaners or solvents that could damage the finish or electronic components. The fingerprint-resistant touchscreen helps maintain cleanliness.

## Troubleshooting

---

- **Lock Not Responding:** Check battery levels. If batteries are low, replace them or use the micro USB port for emergency power.
- **Passcode Not Working:** Ensure the correct passcode is entered and followed by '#'. If issues persist, verify the passcode in the TTLock app.
- **Key Fob Not Working:** Ensure the key fob is properly registered in the app. Present it firmly against the card reader sensor.

- **App Connectivity Issues:** Ensure Bluetooth is enabled on your smartphone and you are within range of the lock. For remote access, a separate Wi-Fi Gateway (not included) is required.
- **Privacy Mode Engaged:** If the lock cannot be opened from the outside, check if Privacy Mode is enabled via the switch on the interior assembly.
- **Voice Prompts:** If voice prompts are not desired, they can be muted through the TTLock app settings.

## Specifications

Feature	Detail
Brand	SCYAN
Model Name	X4SN
Lock Type	Keyed One Side
Material	Metal
Special Features	Passcode Unlock, Touchscreen
Adjustable Backset	2 3/8" or 2 3/4"
Door Thickness Compatibility	1 1/8" to 2"
Operating Temperature	-4°F (-20°C) to 158°F (70°C)
Power Source	4 AA Batteries (not included)
Emergency Power	Micro USB Port
Connectivity Protocol	Bluetooth
Item Weight	4.05 pounds (1.84 Kilograms)

## Warranty & Support

For detailed warranty information and customer support, please refer to the official SCYAN Electronics website or contact their customer service directly. Keep your purchase receipt for warranty claims.

Manufacturer: Scyan Electronics LLC

