

EDESA EWF-6000 WH

Edesa EWF-6000 WH 6 KG Front-Load Washing Machine User Manual

Model: EWF-6000 WH | Brand: EDESA

1. SAFETY INFORMATION

Please read these instructions carefully before installing and using the appliance. Keep this manual for future reference. Incorrect installation or use may cause damage to the appliance or injury to the user.

- Ensure the appliance is properly grounded.
- Do not allow children to play with or operate the washing machine.
- Do not open the detergent dispenser or door during operation, especially during high-temperature cycles.
- Always unplug the appliance before cleaning or maintenance.
- The appliance is equipped with a child safety lock and door lock during operation to prevent accidental opening.

2. PRODUCT OVERVIEW

The Edesa EWF-6000 WH is a front-load washing machine designed for efficient and convenient laundry care. It features a 6 kg capacity, 1000 RPM spin speed, and 23 wash programs.



Figure 2.1: Overview of the Edesa EWF-6000 WH washing machine, highlighting key features and dimensions. This diagram illustrates the energy efficiency class E, 1-6 kg wash capacity, delayed programming, remaining time indicator, and power connection. It also lists features such as front-load design, 1000 rpm spin speed, child lock, start/pause function, 23 wash programs (including quick 15, 30, 45 min, mixed, and delicate), delayed programming options (3/6/9 hours), extra rinse, and a drum cleaning program.

Key Features:

- **Capacity:** 1 to 6 kg
- **Spin Speed:** Up to 1000 revolutions per minute (r.p.m)
- **Wash Programs:** 23 programs, including quick cycles (15, 45, 60 minutes), mixed, and delicate options.
- **Delayed Start:** Program the wash cycle to start up to 24 hours later.
- **Remaining Time Indicator:** LED display shows the time left for the current cycle.
- **Silence Inverter Motor:** Reduces friction for a longer lifespan, increased stability, less vibration during spinning, and quieter operation.
- **Energy Efficiency:** Class E.
- **Safety Features:** Child lock and door lock during operation.
- **Special Functions:** Extra rinse, pre-wash, personalized wash, ECO wash.
- **Drum Cleaning Program:** Dedicated program for maintaining drum hygiene.

3. INSTALLATION AND SETUP

Unpacking:

Carefully remove all packaging materials. Inspect the appliance for any damage during transit. Report any damage to your retailer immediately.

Location:

Place the washing machine on a firm, level surface. Ensure there is adequate space around the appliance for ventilation and maintenance. Avoid placing it in areas exposed to direct sunlight or extreme temperatures.

Dimensions:

EWF-6000 WH Blanco

Cod.: 925270557 - EAN: 8422248344449

E

EFICIENCIA
ENERGÉTICA



CAPACIDAD DE
LAVADO



PROGRAMACIÓN
DIFERIDA

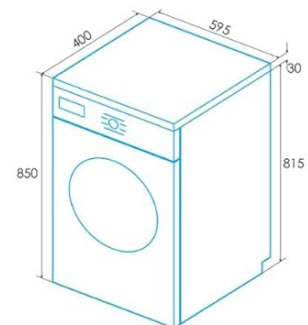


INDICADOR
TIEMPO RESTANTE



CON
ENCHUFE

- » Lavadora de carga frontal
- » Capacidad de 1 a 6 kilos
- » Velocidad máxima de centrifugado 1.000r.p.m
- » Clasificación energética E
- » Bloqueo seguridad niños y bloqueo de puerta durante el funcionamiento
- » Función marcha/pausa
- » 23 programas de lavado
- » Programas especiales: rápidos 15, 30 y 45 min., mixtos, y delicados
- » Opciones: programación diferida hasta 3/6/9 horas y aclarado extra
- » Programa extra para limpiar el tambor



*medidas en mm

Figure 3.1: Front view of the Edesa EWF-6000 WH washing machine. This image shows the appliance's overall appearance, including the control panel, detergent drawer, and front-loading door.

Product Dimensions (D x W x H): 65 x 55.5 x 88.5 cm

Weight: 57 kg

Water and Electrical Connections:

Connect the water inlet hose to a cold water tap and the drain hose to a suitable drain. Ensure all connections are secure to prevent leaks. Plug the power cord into a grounded electrical outlet. Refer to the local regulations for electrical and plumbing connections.

4. OPERATION

Control Panel:



Figure 4.1: Close-up view of the Edesa EWF-6000 WH control panel. This image displays the program selection knob, LED display, and various function buttons for cycle customization.

The control panel features a central program selection knob, an LED display for time and status, and buttons for additional functions.

Loading Laundry:



Figure 4.2: Interior view of the Edesa EWF-6000 WH washing machine drum. This image shows the spacious drum designed to

accommodate various laundry items, including larger items like duvets and blankets.

Open the door and load laundry into the drum. The large hatch (up to 33 cm) facilitates easy loading and unloading of items, including duvets, blankets, sheets, and towels. Do not overload the machine; respect the 6 kg capacity.

Adding Detergent:

Add the appropriate amount of detergent and fabric softener to the dispenser drawer. Refer to your detergent packaging for recommended dosages.

Selecting a Program:

Turn the program selection knob to choose one of the 23 available wash programs. The LED display will show the estimated cycle time.

- **Quick Programs:** 15, 45, or 60 minutes for lightly soiled items.
- **Special Programs:** Mixed, Delicate, Cotton, Allergens, Baby Clothes, ECO.

Customizing the Wash:

Use the function buttons to select additional options:

- **Delayed Start:** Press the delayed start button to set the desired delay (up to 24 hours).
- **Extra Rinse:** Adds an additional rinse cycle.
- **Pre-wash:** For heavily soiled items.
- **Start/Pause:** Press to start or pause the selected program.

Starting the Wash:

Press the Start/Pause button to begin the wash cycle. The door will lock, and the remaining time will be displayed.

End of Cycle:

Once the cycle is complete, the machine will signal, and the door will unlock. Remove your laundry promptly.

5. MAINTENANCE

Cleaning the Exterior:

Wipe the exterior of the washing machine with a soft, damp cloth. Do not use abrasive cleaners or solvents.

Cleaning the Detergent Dispenser:

Regularly remove and clean the detergent dispenser drawer to prevent residue buildup.

Drum Cleaning Program:

Utilize the dedicated drum cleaning program periodically to maintain hygiene and prevent odors inside the drum.

Filter Cleaning:

Check and clean the drain pump filter regularly to remove lint and foreign objects. Refer to the full manual for detailed instructions on accessing and cleaning the filter.

6. TROUBLESHOOTING

Before contacting customer service, please check the following common issues:

- **Machine does not start:** Ensure the power cord is plugged in, the door is closed properly, and the

Start/Pause button has been pressed. Check if there is a power outage.

- **No water intake:** Check if the water tap is open and the water inlet hose is not kinked or blocked.
- **Water not draining:** Check if the drain hose is properly positioned and not blocked. Clean the drain pump filter.
- **Excessive vibration/noise:** Ensure the machine is level and all transit bolts have been removed during installation. Distribute laundry evenly inside the drum.
- **Error codes:** If an error code appears on the display, consult the full user manual for specific meanings and solutions.

7. SPECIFICATIONS

Feature	Specification
Model Number	EWF-6000 WH (925270557)
Brand	EDESA
Type	Front-Load Washing Machine
Capacity	6 Kilograms
Maximum Spin Speed	1000 r.p.m
Energy Efficiency Class	E
Motor Type	Silence Inverter Motor
Number of Programs	23
Delayed Start	Up to 24 hours
Controls Type	Knob
Color	White
Product Dimensions (D x W x H)	65 x 55.5 x 88.5 cm
Product Weight	57 Kilograms
Country of Origin	Spain

8. WARRANTY AND SUPPORT

For warranty information and customer support, please refer to the warranty card included with your product or contact Edesa customer service directly. Keep your purchase receipt as proof of purchase.