

[Manuals.plus](#) /

› [IDEALHOUSE](#) /

› IDEALHOUSE Large Printer Stand with Power Outlets and USB Charging Ports Instruction Manual

## IDEALHOUSE IDPRINTERSTAND-ZDYJ-23080306

# IDEALHOUSE Large Printer Stand with Power Outlets and USB Charging Ports

Model: IDPRINTERSTAND-ZDYJ-23080306

## 1. INTRODUCTION

---

This manual provides instructions for the assembly, operation, and maintenance of your IDEALHOUSE Large Printer Stand. This versatile 3-tier rolling cart is designed to organize office machines, paper, files, and supplies. It includes integrated power outlets and USB charging ports for convenience.



Image 1.1: The IDEALHOUSE Large Printer Stand in an office environment, showcasing its capacity to hold a printer and a computer tower, along with storage for office supplies.

## 2. SAFETY INFORMATION

---

- Read all instructions carefully before assembly and use.
- Keep small parts away from children.
- Ensure all connections are secure before placing heavy items on the stand.
- Do not overload the shelves. Refer to the specifications for weight limits.
- Only use the integrated power strip with compatible devices and within specified electrical ratings (120V/12A for AC outlets, 5V/2A for USB ports).
- Avoid exposing the stand to excessive moisture or direct sunlight.

## 3. PACKAGE CONTENTS

---

Verify that all components are present before beginning assembly. If any parts are missing or damaged, please contact customer support.

- Top Shelf (MDF Board)
- Middle Shelf (MDF Board)
- Bottom Shelf (MDF Board)
- Metal Frame Components
- Power Strip with 2 AC Outlets and 2 USB Ports
- 4 x Rolling Casters (2 with brakes)
- 4 x Adjustable Feet (optional use)
- Assembly Hardware (screws, wrench)
- Instruction Manual

## 4. SETUP AND ASSEMBLY INSTRUCTIONS

---

Assembly typically takes approximately 20 minutes. Follow these steps carefully:

1. **Unpack Components:** Carefully remove all parts from the packaging and lay them out on a clean, soft surface to prevent scratches.
2. **Attach Casters or Adjustable Feet:** Decide whether to use the rolling casters for mobility or the adjustable feet for stationary placement. Screw the chosen components into the bottom of the main frame legs. If using casters, ensure the two casters with brakes are installed on the front side for easy locking.

## Adjustable Feet OR Rolling Casters



Image 4.1: Detail showing the option to install either adjustable feet for stability or rolling casters for mobility on the printer stand.

3. **Assemble Frame:** Connect the metal frame components according to the diagrams in the included printed instructions. Secure with the provided screws and wrench.
4. **Install Shelves:** Place the MDF board shelves onto the designated frame sections. The middle shelf is adjustable.



Image 4.2: Illustration demonstrating how the middle shelf can be adjusted to different heights to accommodate various items.

5. **Attach Power Strip:** Secure the power strip unit to the side of the stand using the provided screws. Ensure it is firmly attached.
6. **Final Check:** Verify that all screws are tightened and the stand is stable before placing any items on it.

## 5. OPERATING INSTRUCTIONS

---

### 5.1 Using the Power Outlets and USB Ports

The integrated power strip provides convenient access to power for your devices.

- Plug the stand's main power cord into a standard wall outlet.
- Connect your printer, laptop, or other AC-powered devices to the 2 AC outlets.
- Use the 2 USB ports to charge smartphones, tablets, or other USB-powered devices.
- Do not exceed the maximum electrical load for the outlets (120V/12A for AC, 5V/2A for USB).

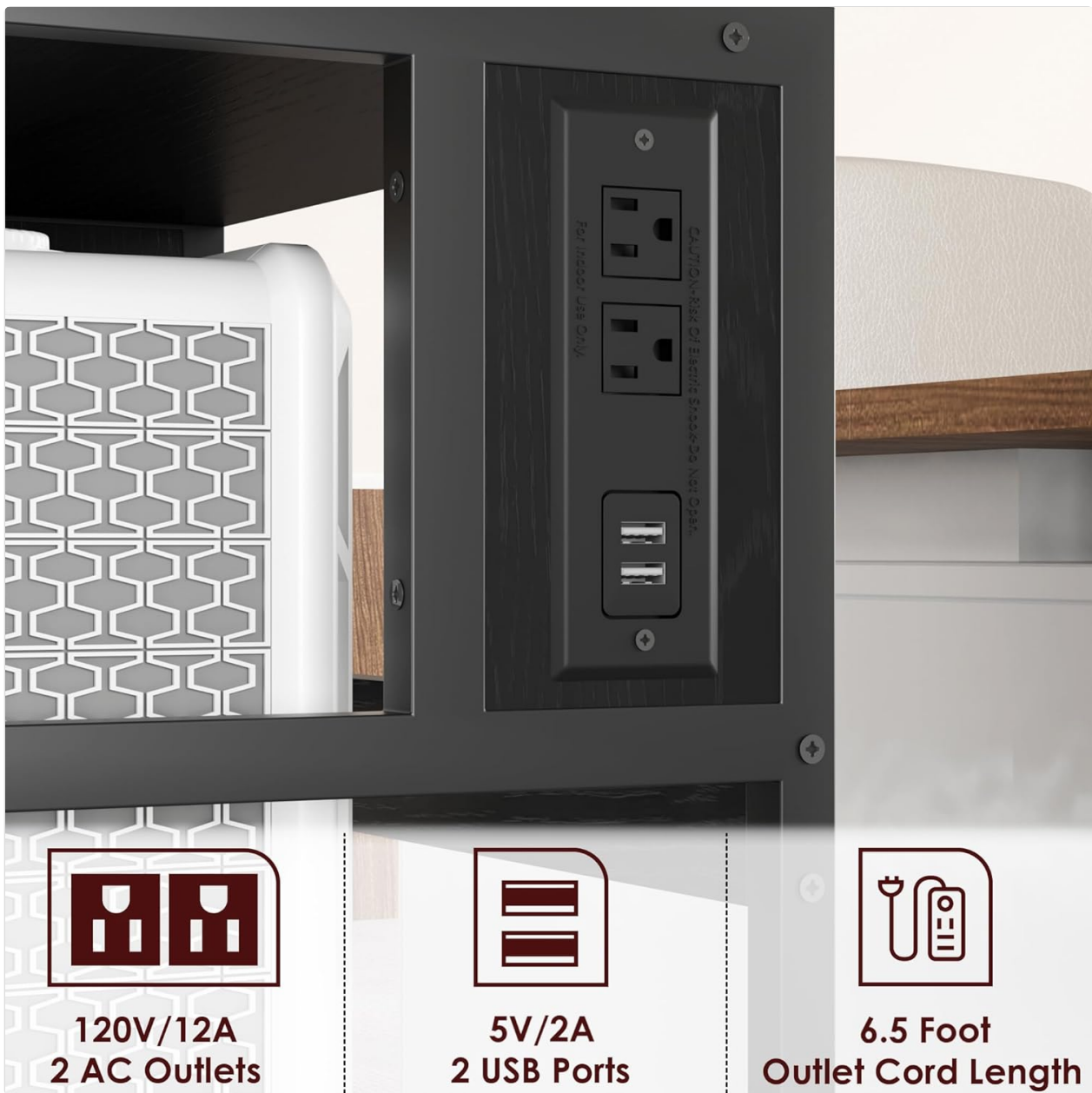


Image 5.1: A detailed view of the integrated power strip, highlighting the two AC outlets and two USB charging ports, along with the 6.5-foot power cord.

## 5.2 Utilizing Mobility and Stability

If you have installed the rolling casters:

- To move the stand, ensure the brakes on the front casters are disengaged.
- To keep the stand stationary, push down the levers on the two front casters to engage the brakes.

## 6. MAINTENANCE

- **Cleaning:** Wipe the stand with a soft, damp cloth. Avoid harsh chemicals or abrasive cleaners.
- **Hardware Check:** Periodically check all screws and connections to ensure they remain tight. Retighten if necessary.
- **Power Cord:** Inspect the power cord for any signs of damage. Do not use if the cord is frayed or damaged.

## 7. TROUBLESHOOTING

- **Stand is wobbly:** Ensure all screws are fully tightened. If using adjustable feet, ensure they are evenly adjusted on a flat surface.
- **Power outlets/USB ports not working:**
  - Check if the main power cord is securely plugged into a functional wall outlet.
  - Verify that the total power draw of connected devices does not exceed the specified limits.
  - Test the wall outlet with another device to confirm it is supplying power.
- **Casters not rolling smoothly:** Check for any debris or hair caught in the wheels. Clean as necessary.

## 8. SPECIFICATIONS

Feature	Detail
Model Number	IDPRINTERSTAND-ZDYJ-23080306
Brand	IDEALHOUSE
Material	Engineered Wood, Metal Frame
Color	Rustic Black
Mounting Type	Floor Stand (with casters or adjustable feet)
Compatible Devices	Printers, Office Machines, General Storage
Item Weight	25.2 pounds
AC Outlets	2 (120V/12A)
USB Ports	2 (5V/2A)
Power Cord Length	6.5 feet
Dimensions (H x W x D)	31.4" x 20.4" x 15.7"

# PRODUCT SIZE

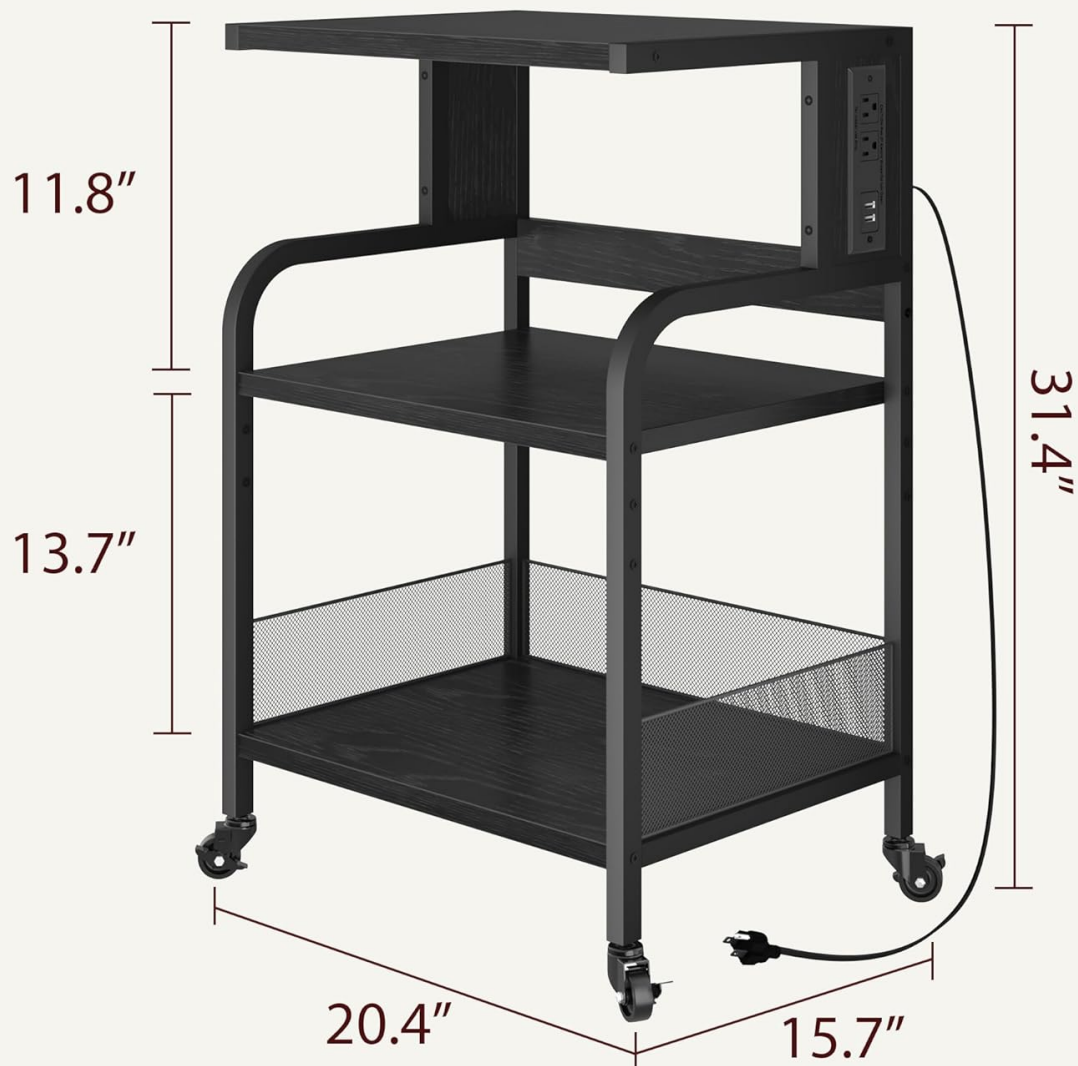


Image 8.1: Dimensional drawing of the printer stand, indicating its height, width, and depth.

## 9. WARRANTY AND CUSTOMER SUPPORT

IDEALHOUSE is committed to providing quality products and excellent customer service. If your printer stand arrives damaged, has missing parts, or if you encounter any issues during assembly or use, please do not hesitate to contact our professional after-sales customer service team.

Our customer support team aims to address your concerns within 24 hours.

### Contact Information:

- For support, please refer to the contact details provided on your purchase receipt or the IDEALHOUSE official website.
- Please have your model number (IDPRINTERSTAND-ZDYJ-23080306) and purchase date ready when contacting support.

